

VIRTUOSITY

AS DEFINED BY
LA MAISON DE DIETRICH:

"Transforming raw materials to add elegance and emotion using a high level of technical control and the utmost precision. Demonstrating the very essence of our talent, boldness and creativity in constantly reinventing products that have excellence and emotion ingrained in them, as well as being outstanding culinary products."

De Dietrich



LA MAISON DE DIETRICH

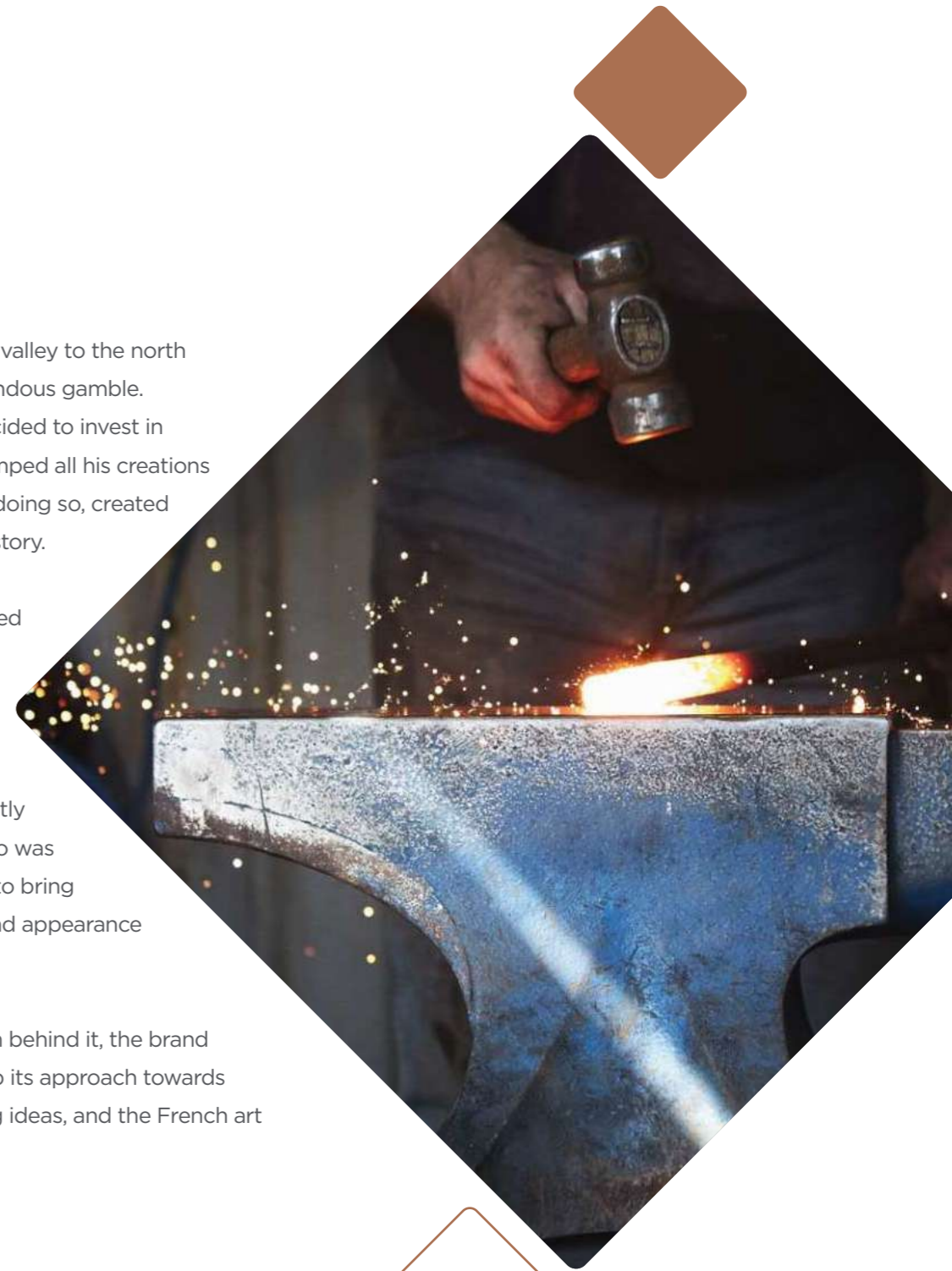
LA MAISON DE DIETRICH
HAS BEEN BUILT UPON
A DYNASTY OF VISIONARIES.



It all started in Jaegerthal, a valley to the north of Strasbourg, with a tremendous gamble. In 1684, Johann Dietrich decided to invest in the forging industry. He stamped all his creations with a hunting horn and, in doing so, created the first logo in industrial history.

La Maison De Dietrich entered into a new era under the leadership of Jean de Dietrich, the successor who was given a peerage by Louis XV, and subsequently with Amélie de Dietrich, who was the first woman in industry to bring the importance of design and appearance into industrial production.

With this strong momentum behind it, the brand has never ceased to develop its approach towards innovation, ground-breaking ideas, and the French art of living.



OUR SAVOIR-FAIRE

Few French manufacturers can boast over 300 years of history as La Maison De Dietrich can. Since its creation at the end of the 17th century, the company has provided a constant stream of creations, innovations and unique technology, such as the first domestic cooker, the pyrolytic oven, and the saturated steam oven.

In 1990, De Dietrich invented the first induction hobs. In 2010, it created Piano, the first zoneless induction hob, and in 2013 it launched the horiZone Chef induction hob, which counts four different cooking modes among its innovative new features.

Expertise is passed on from one generation to another, allowing us to offer today a level of excellence that is very rarely achieved. Inspired by its legacy, and its inherited knowledge, the new De Dietrich design is just as much a signature look as it is the personification of the French art of living.



THE FRENCH ART OF LIVING



De Dietrich provides a physical representation of the Art de vivre, or the French art of living, and is part of French culinary heritage. Driven by a never-ending quest for perfection and creativity, the brand focuses on elevating raw, high-quality materials, and arousing pure emotion.

The gamble was successful for this virtuoso range, who has managed to combine pure design, innovation, and top-quality material. An unparalleled expertise which immediately awakens desire. Its historical partnership with the 3 Michelin star Chef Pierre Gagnaire also sums it up perfectly. *"With De Dietrich, we share the same desire to share culinary emotions. From basic moves to the most sophisticated techniques, everyone can unleash their creativity thanks to state-of-the-art equipment."*



OUR MANUFACTURERS

De Dietrich fosters its love of excellence across all its manufacturers in France, creating the most wonderful harmonies. For over 300 years, exceptional execution has meant that its virtuosity and capacity for orchestration have set De Dietrich apart.

La Maison De Dietrich continues this quest for perfection by way of in-depth understanding, an exceptional level of expertise and precise actions. Just as musicians tirelessly repeat their scales, each of our engineers proudly ensures that each model is perfectly in tune with the brand's age-old reputation.

From transforming iron to developing connectivity, De Dietrich skilfully plays its part in designing and manufacturing perfectly-finished models.



A PHILOSOPHY OF EXCELLENCE

The brand is proud to be able to attach a 'Origine France Garantie' label to its products.

This label was created out of a Ministry of Industry initiative in 2011, and represents transparency and accuracy of information regarding the origin and manufacturing procedures for the majority of De Dietrich products. It is a point of reference for consumers with exacting standards, who are looking for outstanding, prestigious, top-quality products.



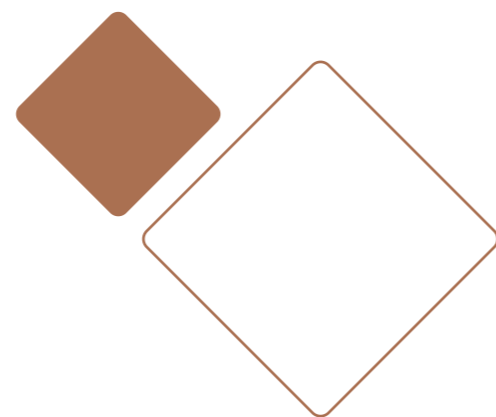
BVCert.6011825





A VIRTUOSO
INTERPRETATION
OF CULINARY ARTS

PHILHARMONIE NEW COLLECTION



The new Philharmonie Collection allows lovers of the French Art of Living to showcase their culinary talents and display their virtuosity. Embodying the perfect blend of innovation and aesthetic research, the collection enables everyone to achieve their highest level of excellence.

Heir to more than 350 years of history, this new De Dietrich collection brings to life the age-old expertise of a great French Maison, whose creations combine precise cooking, attractive design and noble materials. More than ever, with the Philharmonie collection, culinary arts take the stage.

The talent either of perfectly roasting a meat that can only be enjoyed medium rare, or of giving a perfect pearly finish to salmon flesh, or of making the palate feel the silky subtlety of a cream or the fragile crunch of a macaroon.

The Philharmonie Collection by De Dietrich gives the power to transcend a simple recipe, and transform it into pure emotion.



TABLE OF CONTENT

16

• OVENS

66

• HOBS

138

• HOODS

178

• WASHING

208

• COOLING

248

• TECHNICAL BOOKLET

COLLECTION

HERITAGE

Copper keys and hunting horn: set in the glossy black surfaces, De Dietrich's historical markers are reinterpreted in a precious and highly contemporary spirit. A tribute to the brand's age-old heritage and innovating power.



COLLECTION

INFINITE BLACK

A symphony in black major, this collection features noble materials, designed with precise lines and magnified by a stripped-down interface. Uncompromising elegance.



COLLECTION

STELLAR STEEL

This sonata in dominant black is punctuated with flashes of stainless steel, either brushed or mirror-polished. A highly contemporary inspiration, in which the metal gives depth to the black to enhance the craftsmanship and the quality of materials.



COLLECTION

ETERNAL WHITE

Timeless harmony of white and stainless steel for a music score full of purity and elegance. The immaculate classicism of white is punctuated with brushed stainless steel details that catch the light and highlight the beauty of materials.



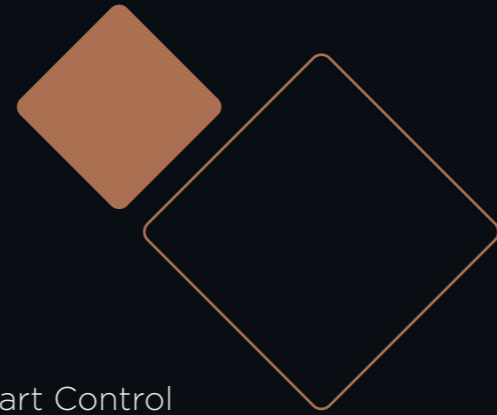
COLLECTION

MASTER BLACK

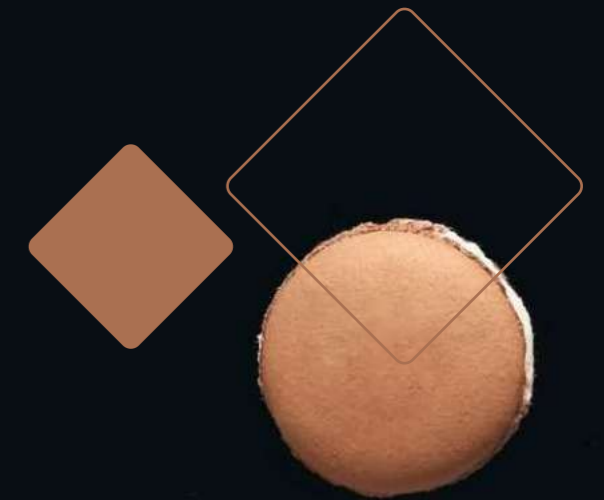
In its integral matte version, black is embodied with unprecedented depth and velvety nuances that beckon the touch. A modern and absolute composition, lit here and there by a few contrasts of shiny black and smoked glass.



OVENS



- 18 • Ovens
- 27 • 60cm Connected Oven - Smart Control
- 28 • 60cm Ovens
- 38 • 60cm Combi Steam Ovens
- 41 • 45cm Ovens
- 45 • 45cm Microwaves
- 49 • 38cm Microwaves
- 53 • 45cm Coffee Machines
- 54 • Sous Vide Drawers
- 57 • Warming Drawers





**SUPPORTING CULINARY
EXCELLENCE WITH
TECHNOLOGICAL VIRTUOSITY**

60CM OVENS

A perfect harmony between technology and aesthetics, our ovens transcend every recipe to transform them into pure emotion. With over 350 years of expertise, they combine precise cooking, attractive design, and noble materials. Do you wish to cook a beef Wellington? A perfectly cooked sea bass? Crunchy macarons? More than ever, Philharmonie ovens make culinary arts resonate. With them, lovers of gastronomy and the French art of living can fully showcase their virtuosity.



Design:
the art of being a maverick.

For all lovers of contemporary design, our ovens boast a distinctly new style and intuitive use. Noble materials and delicate finishes bear witness to the quest for perfect balance between elegance and high technology. The new ergonomic design has been thought to ensure a seamless experience. The full-width handle with bevelled edges creates a new sensory experience with its robust grip. The selector's off-centre location and the large display give its harmonious aesthetics to the whole. As a testimony, the fine edging underlining our iconic hunting horn illustrates the attention to detail borne by De Dietrich. A stripped-down vision serving cutting-edge engineering.

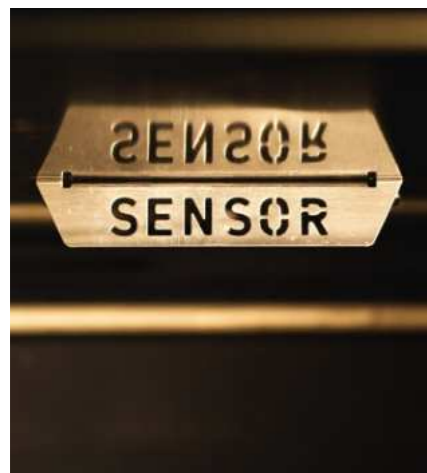


Sensory selector:
a browsing gem.

A centrepiece to Philharmonie ovens, the selector helps you browse seamlessly among all functionalities. Its design beckons the touch as much as the sight. The large-diameter selector, echoing the world of hi-fi, enables highly precise settings. Its notched, diamond-cut contour offers perfect grip as well as a pleasant feeling of control. Designed like a piece of jewellery, depending on the collection, it comes in sophisticated and contrasted matt or shiny finish, with accents of copper or stainless steel. Slightly off-center on the upper band, its positioning and proportions are eye-catching and a sign of a personality that leaves no aesthete indifferent.

Ai Smart Browsing.
An intuitive way to manage your cooking.

Use the large TFT screen to interact with your oven as you would with a kitchen team. Combining high definition text and images, it displays each interaction with De Dietrich Artificial Intelligence, as well as the cooking parameters. In Automatic mode, simply choose a recipe and the screen will intuitively guide you to the desired cooking method. And then, as a virtuoso soloist, the oven manages everything. In Manual mode, the screen displays instructions then recommends the optimal settings. And while magic is happening behind the oven door, you can check the progress of your cooking with a glance on the screen. With the selector, the Ai Smart browse can be controlled very intuitively. Now everyone can be a virtuoso cook!



Ai Talent Sensor.
Intelligence and virtuosity of a top chef.

Taste excellence without no false note. Rely on Ai Talent Sensor, an intelligent system that manages autonomously the cooking of your recipes. Choose one of the **150 recipes on offer** and Ai Talent Sensor will play the score without you needing to do anything. Temperature, duration, cooking method... The Perfect Sensor moisture sensor and powerful algorithms synchronise cooking parameters and match them in real time to meet the most demanding taste requirements. Combining precision and intelligence, the Ai Talent Sensor interface gives everyone the ability to create enchanting tastes.



Ai Talent Probe.
Absolute control of the core temperature.

For creative people who imagine their own recipes and those who like to personalize their cooking, the **wireless probe** is the ultimate precision tool. In Manual mode, simply enter the ideal core temperature. Inserted in the preparation, the probe precisely measures the internal heat: the oven rises in temperature and stops as soon as the result has been reached. Totally autonomous, the probe pairs with the oven via Bluetooth and can be recharged using its box. A prodigious performer to serve your culinary creations.



Ai Talent.
Virtuosity accessible to all.

Up to 122 recipes available. To ensure perfect cooking quality, leave it to the chef! Simply select one of the pre-programmed recipes and the oven will take care of everything. It automatically determines the appropriate cooking parameters: the right cooking method, the ideal temperature and the required cooking time, down to the minute. You just have to enter the size or weight of your dish, and the oven will interpret all your culinary renditions.



Multifonction Plus:
the art of successfully preparing all meals as they should be prepared.

Fan Heat and Combined Heat, exclusive to De Dietrich. Like a virtuoso, you know all your recipes inside out, and the exact way to make them a success. Fan Heat turns out to be the ultimate cooking mode to reveal your culinary talents. This unique process distributes the heat evenly, preserving the delicate flesh of white meats, the flavour of papillotes, or cooking different dishes on three levels simultaneously, without mixing odours whilst preserving the authentic taste of each dish... Combined Heat by De Dietrich is unbeatable for providing an airy lightness to your pies or puff pastries. The Combined Heat system distributes evenly the heat produced by a resistance located around the fan, and is specially designed for moist cooking such as pies, quiches or pizzas. Energy saving is another benefit of this technique: the temperature rise is ultra-fast, thus eliminating the preheating phase. The **Fan Cooking function** is the only process that preserves the delicate texture of white meat and the aroma and flavour of foods cooked "en papillote", and that allows different dishes to be cooked on three levels at the same time whilst preserving the individual aromas of each.



Desserts:
excelling in a globally recognized art.

28 recipes offered in automatic cooking including an exclusive selection dedicated to French pastries. To create the greatest pastry classics with confidence and delight, from the simplest dessert to the most sophisticated, rely on the ingenuity and talent of the De Dietrich ovens. Macaroons, canelés or chocolate fondant, pavlova or tarte Tatin... Compete with French top pastry chefs: among the 28 desserts available in automatic baking, you have the choice between 14 exclusive French pastry recipes, to celebrate this major discipline in culinary arts.



Low temperature:
17 recipes proposed in automatic cooking.

Presenting tender, juicy meat, or a tasty, delicate and fragrant leg of lamb is no longer exclusive to top chefs. Choose your menu from the 17 pre-programmed dishes and let your Philharmonie oven work for your greatest pleasure. It features low temperature below 100°C: gentle and regular, perfectly controlled cooking over several hours. A unique cooking method in the world of Haute Cuisine. To bring you the very best in cooking meat, fish and other dishes, and bring out all their flavours.



***World Recipes:
an exclusive culinary
journey!***

38 sweet or savoury dishes, with automatic cooking.

De Dietrich invites you on a tour of world flavours! Delicious culinary stops in over twenty countries are on the menu of the new Philharmonie ovens.

Easter bread, baklava, orange blossom Qurabiya, pastéis de nata, cannelloni, chicken tikka... Essentials of international cuisine, no less than 38 recipes - 22 sweet desserts and 16 savoury dishes - have been developed to offer you automatic cooking, with guaranteed results and success.

Discover them also on the Smart Control app of the connected ovens, which with each update, will allow you to expand your culinary horizon.



***Sabbath function.
Inventive
and functional.***

De Dietrich is breaking new ground in offering three new ovens equipped with a special Sabbath function. This programmable mode allows the oven to function completely independently for 25 hours, or up to 75 hours if required. A flow of electricity maintains a constant temperature of 90°C in the cavity, so that dishes may be cooked or kept warm without needing to use a thermostat. The interior light remains on all the time, even when the door is closed.



***Drying function.
Enhancing the flavours
of all your meals.***

De Dietrich has equipped its new ovens with a function that nowadays it would be difficult to do without. This dehydration process allows you to dry a large number of different foods at a perfectly controlled temperature of between 60°C and 80°C, including aromatic herbs, fruit and vegetables. By preventing the growth of bacteria, it allows you to preserve the produce for several months and use it whenever you like; it also preserves essential elements such as vitamins and minerals.



***Air Fry function.
A revolution in the art
of fat-free cooking.***

How would you like to guilt-free enjoy golden-brown potato chips as often as you wish?

De Dietrich invites you to discover Air Fry and the unsuspected extent of its capabilities, so that you can prepare and share delicious gourmet cooking with no restraint. Roasted cauliflower with pesto, breaded chicken with pistachio and sesame seeds, light and crispy sweet potato fries, lovely slices of dried citrus fruits... Air Fry helps you cook and brown all kinds of dishes in the oven, with very little or no added fat.

To awaken your senses and enhance the taste of your roasted winter vegetables, simply spray them with a few drops of olive oil, preferably flavoured with truffle or thyme for example.

A perforated cooking plate specially dedicated to this function will optimize the circulation of heat around the food without having to turn it over, guaranteeing results that are as perfect as they are delicious.

***Variable Grill
function: up to
4 power settings.***

Some of the apparently simplest recipes - such as meringues - actually require high skills - on work to achieve perfection.

By modulating the heat of the grill between 1 and 4, this function helps you to achieve culinary feats on a daily basis.

***Crispy - Keep warm -
Add 5 min - Favourites:
transform the culinary
experience... And bring
out the chef in you!***

Because your oven understands your cooking habits better than anyone else, it provides three options that you simply select at the start and/or end of cooking in order to perfect your dishes: bring a crispier & more golden finish, keep your dish at the right temperature without the risk of overcooking, and extend the cooking time by 5 minutes without having to change the settings. The 'Preferred dishes' feature allows you to memorize up to 6 dishes - 3 in manual cooking mode and 3 in automatic cooking mode - so as to instantly retrieve the programmed parameters when preparing your favourite recipes.



***New connected ovens.
Cutting-edge technology
and heritage.***

To keep up with the times and cook like a talented future chef, rely on the new connected Philharmonie ovens' smartness. Like a virtuoso musician facing their score, compose, perform or improvise your greatest culinary renditions via the Smart Control mobile application.

Dedicated to culinary excellence.

Using the Smart Control application on your WiFi-connected smartphone and/or tablet, you can control and schedule all the oven's functions remotely, and prepare the countless recipes available in assisted or automatic cooking with all due precision. It also features customisable alerts and notifications: open door, pyrolysis, programme start and end, completed preheating, etc. Thanks to Smart Control, the recommended temperature can be adjusted to the nearest degree. Demanding gourmets, cooks and pastry chefs particularly appreciate this precision.

3 steps to controlling your oven.

- 1/ Download the Smart Control app on Android or IOS.
- 2/ Connect your oven using the QR code located on the rear of the door.
- 3/ Enjoy the convenience of a connected oven.

A real new gem for faultlessly executing all your greatest culinary classics.

Optimised 73-litre volume and outstanding energy performance.

De Dietrich ovens stand out due to their large 73-litre cavity volume. This space makes it as easy as can be to prepare large or wide dishes, with six different shelf levels easily identifiable on the sides of the oven so that you can follow its recommendations and place your cooking dish at the ideal height. The carefully thought-out cavity design and the reinforced wall insulation make for a shorter pre-heating time and perfect temperature control at the lowest possible price, as demonstrated by its A+ energy label.



A complete equipment, with great functionality.

- ◆ **The racks** on which you place your dishes rest are designed to be safely moved up to three quarters of their depth out of the oven. They are equipped with two legs and a hoop at the back preventing the dishes from tipping over.
- ◆ **The outgoing rail system**, depending on the model, allows you to slide racks and dishes out of the oven with the greatest comfort.
- ◆ **A multiuse baking tray** equips all the ovens. It is fitted with a handle on the front for easy operation. Its 45mm depth enables juices and fats to be collected and it can be used half-filled with water for double-boiler cooking. On some models, this dish is provided with two removable and adjustable half-grids.
- ◆ **The special 8mm baking tray** can be recognized by its angled plane. Its non-stick surface provides extreme comfort of use and makes it easier to bake puff pastry, cookies or shortbread, for example.
- ◆ These accessories are complemented with a **perforated tray specially designed for the Air Fry feature**. It is also recommended for cooking pizzas and pastries and for drying food in dehydration mode.



Soft Close Door: the ultimate comfort of soft closure.

This patented system, exclusive to De Dietrich, enables the oven door to close smoothly.

Halogen lighting.

Halogen lighting provides the perfect light - natural, powerful and even. It gives excellent visibility on all levels of the cavity, even when there are several dishes being cooked at once.

De Dietrich Hydrolysis and Pyrolysis cleaning modes: the art of maintaining uncompromising excellence

To satisfy and reconcile users' requirements regarding cleaning efficiency, energy consumption and respect for the environment, De Dietrich has developed a rich collection of ovens offering the choice between various processes such as hydrolysis or pyrolysis, or even both... Optimum cleaning in all circumstances.

Oven walls on which nothing sticks.

The interior of the ovens is lined with 'enamelite', exclusive to De Dietrich. This highly resistant enamel provides exceptional shine and durability. This ultra-smooth vitrified surface reduces the adhesion of greasy spills, and cuts down on maintenance.



Pyrolysis: bespoke automatic cleaning for optimum efficiency.

To ensure that your oven is always immaculate, its interactive screen will automatically send you a signal when it's time to start one of its three available pyrolysis cycles. The Pyro 2H feature ensures that cleaning is carried out in depth, for two hours. The Pyro Express mode cleans the cavity in 59 minutes using the residual heat from previous cooking.

As far as the exclusive Pyro Auto system is concerned, the oven automatically manages the time necessary for perfect cleaning, between 1h30 and 2h15, depending on the degree of dirtiness detected.

Hydrolysis: Simple, quick, and eco-friendly for daily use.

This "natural" cleaning method allows you to maintain your oven after each cooking session if needed. Simply spray 300 ml of water into the cavity to perform an effortless steam cleaning. A 35-minute cycle is enough to loosen the grease, which can then be wiped away with a sponge.

Ovens combining Hydrolysis and Pyrolysis: an Innovative solution.

The new DOPH375B/X ovens are revolutionary and versatile: on the same interface, a hybrid solution allows you to choose between the two cleaning technologies - Hydrolysis and Pyrolysis.



Exceptionally high safety levels.

Cool door with 4 glass panels.

Thanks to a ventilation system that is exclusive to De Dietrich and the use of four glass panels, the oven door remains below the burn threshold at all points.

Control Lock and Auto-Stop safety features.

The first allows you to lock the control panel to avoid switching on the oven accidentally; the second switches the oven off automatically after 23 hours if you forget it.

Three new interfaces provide intuitive access to all functions.

De Dietrich has always based its oven designs on one intangible value: precision. Here, beneath a simply beautiful design, the electronics reigns supreme with three different programming modes, all controlled by a unique dial that is a rare combination of sophistication and functionality. It turns smoothly to provide an on-screen display of all functions and cooking methods available: then all you have to do is make your selection by lightly touching the centre of the controller.



Programmer with 4.3" TFT Color Screen.

The interface features a wide, high-resolution colour screen that is simple and intuitive, allowing you to browse through modes, categories, and submenus. Each option is illustrated with striking realism and uniqueness. Stunning photos appear on the screen when presenting the numerous predefined dishes and recipes in Auto Mode, Low-Temperature Cooking, Desserts, or World Recipes, as well as in manual functions like Air Fry or Drying.



Programmer with LCD Screen.

Similar to the previous programmer, this one offers equally logical access. You browse through submenus and categories of cooked dishes using the selector. Each function or recipe is illustrated accurately and with attention to detail, simplifying reading and understanding.



Programmer with white LED Screen.

After selecting one of the functions or preprogrammed dishes, the screen precisely displays the main functions and cooking parameters. It provides perfectly readable recommendations on the rack level, the appropriate temperature, and guides you through the proper execution of the programmed cooking process.

**DOP4756H
AI TALENT SENSOR**



- ◆ Colour TFT Screen
- ◆ Cavity volume 73L
- ◆ Energy efficiency class A+
- ◆ Smart control: connected oven
- ◆ Multifunction Plus
- ◆ Pyrolytic cleaning

- ◆ 16 cooking functions
- ◆ Ai Mode Chef : 28 recipes
- ◆ Ai Culinary Guide : 53 recipes
- ◆ Ai Low temperature : 17 recipes
- ◆ Ai French desserts : 14 recipes
- ◆ Ai World recipes : 38 recipes
- ◆ Drying function

- ◆ 100 % Telescopic sliding system
- ◆ Cold door 4 glasses
- ◆ Door opening: Soft Close
- ◆ 3 levels of pyrolysis: Pyro Express - Pyro Auto - Pyro 2h
- ◆ 6 levels of chrome wire racks
- ◆ 2 flat safety grids, 2 half-grids
- ◆ 1 drip tray 45mm, 1 perforated tray 20mm, 1 tray 8mm
- ◆ Built-in dimensions: H 585 mm x W 560 mm x D 550 mm



DOP4756H | HERITAGE



DOP4756B | INFINITE BLACK



DOP4756MB | MASTER BLACK



DOP4756X | STELLAR STEEL



DOP4756W | ETERNAL WHITE



Culinary assistant at your side.

The Smart Control application is designed like a culinary guide and easy to get familiarized with. It is designed with keywords and pictograms, and all the commands can be accessed from the central screen. The Smart Control application is more ergonomic than a manual, and it helps you discover all the functionalities and programs that come with the oven.



SEE USER MANUAL



DOP4755MB | MASTER BLACK



**DOP4755MB
AI TALENT SENSOR**

- ◆ Colour TFT Screen
- ◆ Cavity volume 73L
- ◆ Energy efficiency class A+
- ◆ Multifunction Plus
- ◆ Pyrolytic cleaning

- ◆ 17 cooking functions
- ◆ Ai Mode Chef : 28 recipes
- ◆ Ai Culinary Guide : 53 recipes
- ◆ Ai Low temperature : 17 recipes
- ◆ Ai French desserts : 14 recipes
- ◆ Ai World recipes : 38 recipes
- ◆ Drying function
- ◆ Shabbat function

- ◆ 100 % telescopic sliding system
- ◆ Cold door 4 glasses
- ◆ Door opening: Soft Close
- ◆ 3 levels of pyrolysis: Pyro Express - Pyro Auto - Pyro 2h
- ◆ 6 levels of chrome wire racks
- ◆ 2 flat safety grids, 2 half-grids
- ◆ 1 drip tray 45mm, 1 perforated tray 20mm
- ◆ Built-in dimensions: H 585 mm x W 560 mm x D 550 mm

Ai Talent Sensor.

Thanks to the Ai Talent Sensor, the oven autonomously adjusts the cooking time, mode, and temperature based on the moisture level of the preparation detected by the Sensor.



SEE USER MANUAL

**DOP4746BT
AI TALENT PROBE**

- ◆ Colour TFT Screen
- ◆ Cavity volume 73L
- ◆ Energy efficiency class A+
- ◆ Multifunction Plus
- ◆ Pyrolytic cleaning

- ◆ 17 cooking functions
- ◆ Ai Culinary Guide : 53 recipes
- ◆ Ai Low temperature : 17 recipes
- ◆ Ai French desserts : 14 recipes
- ◆ Ai World recipes : 38 recipes
- ◆ Wireless Probe
- ◆ Drying function
- ◆ Shabbat function

- ◆ Partial telescopic sliding system
- ◆ Cold door 4 glasses
- ◆ Door opening: Soft Close
- ◆ 3 levels of pyrolysis: Pyro Express - Pyro Auto - Pyro 2h
- ◆ 6 levels of chrome wire rack
- ◆ 2 flat safety grids, 2 half-grids
- ◆ 1 drip tray 45mm, 1 perforated tray 20mm, 1 tray 8mm
- ◆ Built-in dimensions: H 585 mm x W 560 mm x D 550 mm



The "Ai Talent Probe" wireless probe meets the highest cooking demands to ensure your preparations achieve excellence: core temperature precisely controlled to the degree, perfect cooking time, enhanced texture, and sublime taste.



SEE USER MANUAL



DOP4746BT | INFINITE BLACK



DOP4746XT | STELLAR STEEL



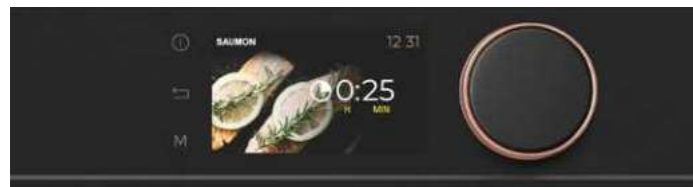
DOP4746WT | ETERNAL WHITE



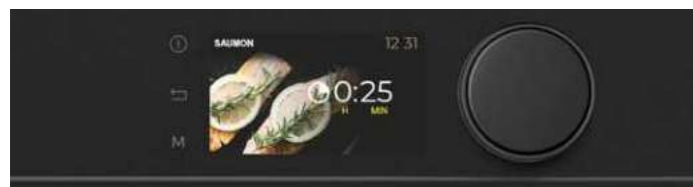
DOP4746HT | HERITAGE



DOP4741X | STELLAR STEEL



DOP4741H | HERITAGE



DOP4741B | INFINITE BLACK

**DOP4741X
AI TALENT**

- ◆ Colour TFT Screen
- ◆ Cavity volume 73L
- ◆ Energy efficiency class A+
- ◆ Multifunction Plus
- ◆ Pyrolytic cleaning

- ◆ 17 cooking functions
- ◆ Ai Culinary Guide : 53 recipes
- ◆ Ai Low temperature : 17 recipes
- ◆ Ai French desserts : 14 recipes
- ◆ Ai World recipes : 38 recipes
- ◆ Drying function
- ◆ Shabbat function

- ◆ Partial telescopic sliding system
- ◆ Cold door 4 glasses
- ◆ Door opening: Soft Close
- ◆ 3 levels of pyrolysis: Pyro Express - Pyro Auto - Pyro 2h
- ◆ 6 levels of chrome wire racks
- ◆ 2 flat safety grids, 2 half-grids
- ◆ 1 drip tray 45mm
- ◆ Built-in dimensions: H 585 mm x W 560 mm x D 550 mm

TFT Smart Navigation Screen.

The interface features a large 4.3" high-definition TFT screen, enriched with innovative functionalities. Stunning photos showcase the predefined dishes and recipes in automatic cooking mode, with surprising and unique realism.



SEE USER MANUAL

**DOP4556H
AI TALENT SENSOR**

- ◆ White LCD Screen
- ◆ Cavity volume 73L
- ◆ Energy efficiency class A+
- ◆ Multifunction Plus
- ◆ Pyrolytic cleaning

- ◆ 16 cooking functions
- ◆ Ai Chef Mode : 28 recipes
- ◆ Ai Low temperature : 17 recipes
- ◆ Ai Culinary guide : 53 recipes
- ◆ Drying function
- ◆ Shabbat function

- ◆ Partial telescopic sliding system
- ◆ Cold door 4 glasses
- ◆ Door opening: Soft Close
- ◆ 2 levels of pyrolysis: Pyro Express - Pyro 2h
- ◆ 6 levels of chrome wire racks
- ◆ 2 flat safety grids, 2 half-grids
- ◆ 1 drip tray 45mm, 1 perforated tray 20mm, 1 tray 8mm
- ◆ Built-in dimensions: H 585 mm x W 560 mm x D 550 mm

AI Low Temperature.

This exclusive automatic function cooks meat, poultry, fish, gratins, or yogurts evenly, consistently, and gently. This perfectly controlled cooking produces juicy dishes with unparalleled tenderness.



SEE USER MANUAL



DOP4556H | HERITAGE



DOP4556B | INFINITE BLACK



DOP4556X | STELLAR STEEL



DOP4556W | ETERNAL WHITE



DOP4546HT | STELLAR STEEL



DOP4546BT | INFINITE BLACK

DOP4546HT
AI TALENT PROBE

- ◆ White LCD Screen
- ◆ Cavity volume 73L
- ◆ Energy efficiency class A+
- ◆ Multifunction Plus
- ◆ Pyrolytic cleaning

- ◆ 16 cooking functions
- ◆ Ai Culinary guide : 53 recipes
- ◆ Ai Low temperature : 17 recipes
- ◆ Wireless Probe
- ◆ Drying function
- ◆ Shabbat function

- ◆ Partial telescopic sliding system
- ◆ Cold door 4 glasses
- ◆ Door opening: Soft Close
- ◆ 2 levels of pyrolysis: Pyro Express - Pyro 2h
- ◆ 6 levels of chrome wire racks
- ◆ 1 flat safety grid, 2 half-grids
- ◆ 1 drip tray 45mm, 1 perforated tray 20mm
- ◆ Built-in dimensions: H 585 mm x W 560 mm x D 550 mm



The "Ai Talent Probe" wireless probe meets the highest cooking demands to ensure your preparations achieve excellence: core temperature precisely controlled to the degree, perfect cooking time, enhanced texture, and sublime taste.



SEE USER MANUAL

DOP4543B
AI TALENT

- ◆ White LCD Screen
- ◆ Cavity volume 73L
- ◆ Energy efficiency class A+
- ◆ Multifunction Plus
- ◆ Pyrolytic cleaning

- ◆ 16 cooking functions
- ◆ Ai Low temperature : 17 recipes
- ◆ Ai Culinary guide : 53 recipes
- ◆ Drying function
- ◆ Shabbat function

- ◆ Partial telescopic sliding system
- ◆ Cold door 4 glasses
- ◆ Door opening: Soft Close
- ◆ 2 levels of pyrolysis: Pyro Express - Pyro 2h
- ◆ 6 levels of chrome wire racks
- ◆ 1 flat safety grid, 2 half-grids
- ◆ 1 drip tray 45mm, 1 tray 8mm
- ◆ Built-in dimensions: H 585 mm x W 560 mm x D 550 mm



DOP4543B | INFINITE BLACK



DOP4543X | STELLAR STEEL



DOP4543H | HERITAGE

AI TALENT.

Select one of the dishes and the oven will determine the cooking parameters. For greater accuracy, it will ask for the size or weight of your dish, proving to be a true expert in assisting you with your culinary creations.



SEE USER MANUAL



DOH4541B | INFINITE BLACK



DOH4541X | STELLAR STEEL



DOH4541H | HERITAGE

**DOH4541B
AI TALENT**

- ◆ White LCD Screen
- ◆ Cavity volume 73L
- ◆ Energy efficiency class A+
- ◆ Multifunction Plus
- ◆ Hydrolytic cleaning

- ◆ 14 cooking functions
- ◆ Ai Culinary guide : 53 recipes
- ◆ Ai Low temperature : 17 recipes
- ◆ Drying function
- ◆ Shabbat function

- ◆ Partial telescopic sliding system
- ◆ Door opening: Soft Close
- ◆ 6 levels of chrome wire racks
- ◆ 1 flat safety grid, 2 half-grids
- ◆ 1 drip tray 45mm
- ◆ Built-in dimensions: H 585 mm x W 560 mm x D 550 mm

Auto Mode can control the oven and program a multitude of dishes. Based on the selected recipe, the oven will automatically suggest the best way to cook your dish for an excellent result.



SEE USER MANUAL

**DOP4335H
MULTIFUNCTION PLUS**

- ◆ White LED Screen
- ◆ Cavity volume 73L
- ◆ Energy efficiency class A+
- ◆ Multifunction Plus
- ◆ Pyrolytic cleaning

- ◆ 11 cooking functions
- ◆ Steam cooking «Fish», «Poultry», «White meat»

- ◆ Partial telescopic sliding system
- ◆ Cold door 4 glasses
- ◆ Door opening: Soft Close
- ◆ 6 levels of chrome wire racks
- ◆ 1 flat safety grid
- ◆ 1 drip tray 45mm, 1 tray 8mm
- ◆ Built-in dimensions: H 585 mm x W 560 mm x D 550 mm



Steam Cooking Poultry / Fish / White Meats.
Steam cooking allows you to cook your food at the optimal temperatures to ensure the quality of nutrients and preserve your health, while keeping your dishes always.



SEE USER MANUAL



DOP4335H | HERITAGE



DOP4335B | INFINITE BLACK



DOPH375B | INFINITE BLACK



DOPH375X | STELLAR STEEL

**DOPH375B
MULTIFUNCTION PLUS**

- ◆ White LED Screen
- ◆ Cavity volume 73L
- ◆ Energy efficiency class A+
- ◆ Multifunction Plus
- ◆ Pyrolytic & Hydrolytic cleaning

- ◆ 11 cooking functions
- ◆ Steam cooking «Fish», «Poultry», «White meat»

- ◆ Cold door 4 glasses
- ◆ Door opening: Soft Close
- ◆ 1 flat safety grid
- ◆ 1 drip tray 45mm
- ◆ Built-in dimensions: H 585 mm x W 560 mm x D 550 mm

Dual Cleaning Function Pyrolysis and Hydrolysis.
For maintenance, this oven offers two cleaning methods: pyrolysis and hydrolysis. Hydrolysis ensures regular, economical, and environmentally friendly cleaning on high-quality pyrolytic enamel. Pyrolysis, on the other hand, guarantees deep cleaning.



SEE USER MANUAL

**DOH4334B
MULTIFUNCTION PLUS**

- ◆ White LED Screen
- ◆ Cavity volume 73L
- ◆ Energy efficiency class A
- ◆ Multifunction
- ◆ Hydrolytic cleaning

- ◆ 11 cooking functions

- ◆ 6 levels of chrome wire racks
- ◆ 1 flat safety grid
- ◆ 1 drip tray 45mm
- ◆ Built-in dimensions: H 585 mm x W 560 mm x D 550 mm

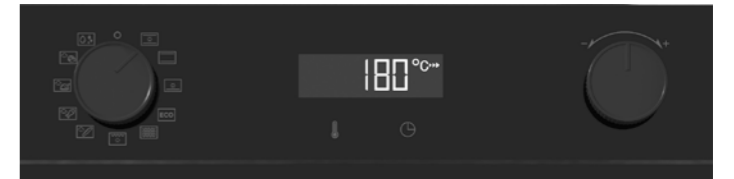
Hydrolysis Steam Cleaning.
Simple and eco-friendly, this system allows for effortless steam cleaning by spraying 300 ml of water into the cavity.



SEE USER MANUAL



DOH4334B | INFINITE BLACK



STEAM OVEN



Ai Talent CombiSteam Oven. A unique culinary experience to tantalise your taste buds!

Reveal the virtuoso cook in you!

A true showcase for your success, the Ai Talent CombiSteam De Dietrich oven reveals the brand's know-how and talent in the world of cuisine. Multifunction Plus, Combined Steam or 100% Steam... Air Fry, Crispy Finish, Sous vide functions... Like top chefs, you now have the best instruments of traditional cooking and modern cuisine: you can develop your own recipes by the rulebook in manual mode, or achieve culinary perfection with the countless recipes on offer in automatic cooking (Auto Mode).

Combined steam cooking: tasty, healthy and dietary cooking.

An essential partner for gourmet and light dishes, with preserved vitamins and mineral salts, the De Dietrich Ai Talent Combi steam modes oven brings together up to 135 predefined recipes including 31 in Combined Steam and 29 in 100% Steam. With great skill and extreme precision, your oven combines all the ingredients for controlled cooking to the nearest degree and automatically sets all parameters: traditional or steam cooking mode, ideal temperature, including the appropriate cooking time, adjusted to the minute using sensors embedded in the oven control system.

Sous vide cooking. a symphony of tastes.

Will you be tempted by a new and unique culinary experience? Discover the benefits of sous vide cooking in your new De Dietrich combined steam oven. This gentle, respectful cooking process for vacuum-packed food, so popular with top chefs, is unrivalled when it comes to preserving the texture and nutritional qualities of dishes, or enhancing the flavour of meat, poultry and fish, as well as fruit and vegetables. It's also an ideal way of preserving your preparations over a longer period of time. Cooked or semi-cooked foie gras, salmon steak, etc. Execute your own sous vide recipes in 100% Steam Manual mode or indulge in the excellence of the 5 pre-programmed Automatic cooking recipes. Stability and precision of temperatures, cooking times... Your oven controls every essential parameter for an exceptional culinary result.

Extreme ease to use and remarkable comfort.

Its pyrolytic cleaning mode combines efficiency and economy ensuring that you always have a spotless oven. The steam cooking process does not require any special installation. The water tank is located on the front for easy access. Opening and emptying are automatic. Equipped with the Soft Close system and designed with 4 layers of glass, the oven door remains cold during cooking and pyrolysis.

DOR4747MB

AI TALENT COMBI STEAM

- ◆ Colour TFT Screen
- ◆ Cavity volume 73L
- ◆ Energy efficiency class A+
- ◆ Combi Steam
- ◆ Pyrolytic cleaning

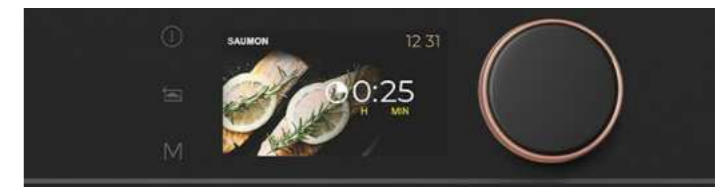
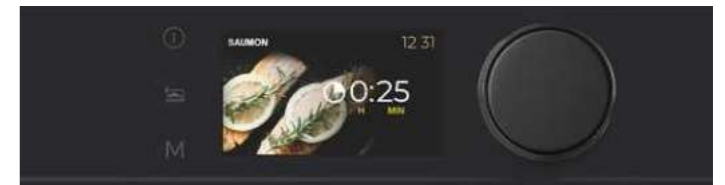
- ◆ 24 cooking functions
- ◆ Ai Culinary Guide : 53 recipes
- ◆ Ai Low temperature : 17 recipes
- ◆ Ai Combi steam cooking : 31 recipes
- ◆ Ai 100% steam cooking : 29 recipes
- ◆ Ai sous vide cooking : 5 recipes
- ◆ Drying function
- ◆ Shabbat function

- ◆ 100 % Telescopic sliding system
- ◆ Cold door 4 glasses
- ◆ Door opening: Soft Close
- ◆ 3 levels of pyrolysis: Pyro Express - Pyro Auto - Pyro 2h
- ◆ 6 levels of chrome wire racks
- ◆ 2 flat safety grids, 2 half-grids
- ◆ 1 drip tray 45mm, 1 inox steam tray, 1 perforated tray 20mm, 1 tray 8mm
- ◆ Built-in dimensions: H 585 mm x W 560 mm x D 550 mm

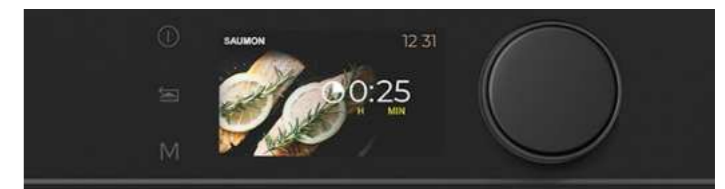
60CM COMBI STEAM OVENS



DOR4747MB | MASTER BLACK



DOR4747H | HERITAGE



DOR4747B | INFINITE BLACK

Ai Talent Combi Steam Mastering healthy and flavourful cooking, the Ai Talent Combi steam oven unveils its savoir-faire. Endowed with the latest advancements in both traditional and modern cooking, it offers a variety of options: combined or 100% steam cooking, sous vide cooking. Thanks to its integrated intelligence, the oven automatically suggests a preset cooking mode or allows you to choose from several alternatives through an intuitive navigation interface



SEE USER MANUAL

60CM COMBI STEAM OVENS



DOR4546B | INFINITE BLACK



DOR4546X | STELLAR STEEL



DOR4546H / DOR4546HE | HERITAGE

DOR4546B AI TALENT COMBI STEAM

- ◆ White LCD screen
- ◆ Cavity volume 73L
- ◆ Energy efficiency class A+
- ◆ Combi Steam
- ◆ Pyrolytic cleaning

- ◆ 24 cooking functions
- ◆ Ai Culinary Guide : 53 recipes
- ◆ Ai Low temperature : 17 recipes
- ◆ Ai Combi steam cooking : 31 recipes
- ◆ Ai 100% steam cooking : 29 recipes
- ◆ Ai sous vide cooking : 5 recipes
- ◆ Drying function
- ◆ Shabbat function

- ◆ 100 % Telescopic sliding system
- ◆ Cold door 4 glasses
- ◆ Door opening: Soft Close
- ◆ 3 levels of pyrolysis: Pyro Express - Pyro Auto - Pyro 2h
- ◆ 6 levels of chrome wire racks
- ◆ 2 flat safety grids, 2 half-grids
- ◆ 1 drip tray 45mm, 1 inox steam tray, 1 perforated tray 20mm
- ◆ Built-in dimensions: H 585 mm x W 560 mm x D 550 mm

AIR FRY.

Enjoy healthy and delicious dishes thanks to the Air Fry function combined with the extra-wide perforated tray specially designed for ultra-crispy results.



45CM OVENS

Noble materials, quality of finishes, refined colours, technical mastery and sensoriality... Like the different instruments in an orchestra, the Philharmonie Collection 45cm ovens play their part in a perfect ensemble, harmonizing their design with the 60cm ovens to adapt perfectly to all kitchen configurations. Both complementary and independent, they bring together a wealth of talent to perform your best culinary standards, to bring out the aromas of contemporary cuisine, or to play your recipes at a faster tempo.



New 100% Combi Steam oven.

This gives you the choice between Multifunction Plus, combination steam or 100% steam, with technology inspired by professional kitchens. The process does not require any special installation to take place, thanks to the water tank located on the front. There are two cooking applications offered within the Combined Steam setting: a three-setting Expert Mode and a Cooking Guide. In Expert Mode, the oven manages all selected settings electronically. With the Cooking Guide, all you have to do is make your choice and enter the weight of the food. The oven will automatically determine and manage all settings required to successfully create a healthy and nutritional dish.



Multifunction Plus Pyrolytic Oven.

With a 40-litre volume, this oven can do everything that traditional-sized ovens can do. Included in the ten highly distinctive functions offered by the Multifunction Plus is a "Bread" mode, enabling you to lay your table with soft, golden and crusty bread whenever you like. 15 preprogrammed recipes are also provided in the Cooking Guide so you can be sure to succeed, whatever type you are cooking.



Steam Oven.

Preserving the vitamins, minerals, flavour, consistency and colour of food, using steam has created an entirely new way of cooking. This Steam oven means you can use this unique, gentle, healthy and delicate cooking method, which is widely acknowledged and appreciated, with the utmost precision.

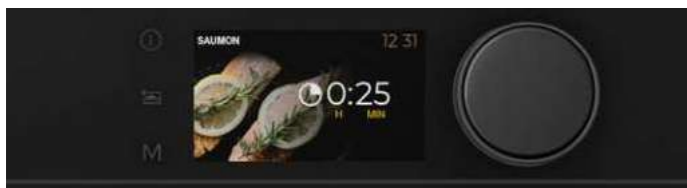


Microwave Ovens.

Nothing beats a microwave when it comes to defrosting food in record time, or reheating or cooking two large dishes simultaneously whilst still managing to preserve their flavour and nutritional properties. Combining a folding grill with four different power settings and Fan cooking, De Dietrich microwaves offer ten different preprogrammed dishes for an entirely automatic cooking process.



DKR4741B | INFINITE BLACK



DKR4741H | HERITAGE

**DKR4741B
AI TALENT COMBI STEAM**

- ◆ Colour TFT Screen
- ◆ Cavity volume 40L
- ◆ Energy efficiency class A
- ◆ Multifunction Plus
- ◆ Pyrolytic cleaning

- ◆ 18 cooking functions
- ◆ Ai Culinary Guide : 46 recipes
- ◆ Ai Combi Steam cooking : 31 recipes
- ◆ Ai 100% Steam cooking : 29 recipes
- ◆ Drying function

- ◆ Cold door 4 glasses
- ◆ 2 levels of pyrolysis: Pyro Eco - Pyro 2h
- ◆ 3 levels of enamelled wire racks
- ◆ 1 flat safety grid
- ◆ 1 drip tray 45mm, 1 inox steam tray
- ◆ Built-in dimensions: H 450 mm x W 560 mm x D 550 mm

Auto Combi Steam Mode: Programming of 106 Recipes.
With its built-in sensors, the cooking parameters are automatically set.



SEE USER MANUAL

**DKP4531H
MULTIFUNCTION PLUS**

- ◆ White LCD Screen
- ◆ Cavity volume 40L
- ◆ Energy efficiency class A
- ◆ Multifunction Plus
- ◆ Pyrolytic cleaning

- ◆ 11 cooking functions
- ◆ Ai Culinary Guide : 46 recipes
- ◆ Drying function

- ◆ Cold door 4 glasses
- ◆ 2 levels of pyrolysis: Pyro Eco - Pyro 2h
- ◆ 3 levels of enamelled wire racks
- ◆ 1 flat safety grid
- ◆ 1 drip tray 45mm
- ◆ Built-in dimensions: H 450 mm x W 560 mm x D 550 mm

A Concentration of Technology in 45 cm.
This oven incorporates all the technologies of a standard oven. With a capacity of 40 liters, it can be installed in a limited space.



SEE USER MANUAL



DKP4531H | HERITAGE



DKP4531B | INFINITE BLACK

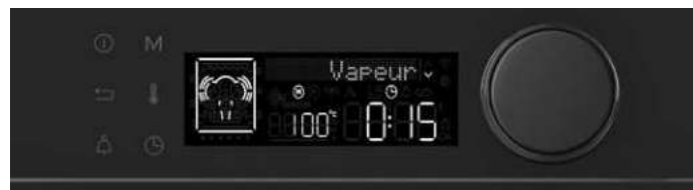
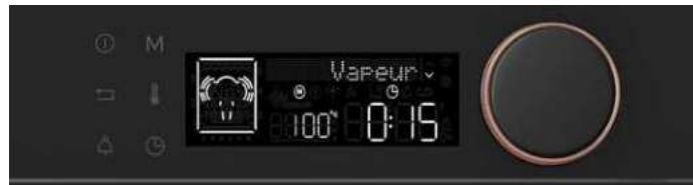


DKP4531X | STELLAR STEEL

45CM OVENS



DKV4530H | HERITAGE



DKV4530B | INFINITE BLACK



DKV4530X | STELLAR STEEL

DKV4530H STEAM OVEN

- ◆ White LCD Screen
- ◆ Cavity volume 29L
- ◆ Energy efficiency class A
- ◆ Manual cleaning
- ◆ 4 cooking functions : steam, reheating, defrosting and steam guide
- ◆ Auto mode: steam, reheating, defrosting
- ◆ Ai 100% Steam cooking : 32 recipes
- ◆ 1 steam grid
- ◆ 1 inox steam tray
- ◆ Built-in dimensions: H 450 mm x W 560 mm x D 550 mm

Removable and Independent water tank.
Conveniently, the oven does not require an external water supply connection.



SEE USER MANUAL

45CM MICROWAVES

DKC4756MB COMBINED MICROWAVES

- ◆ Colour TFT Screen
- ◆ Cavity volume 40L
- ◆ Power 1,000W
- ◆ 10 power levels
- ◆ 3 combined microwave functions
- ◆ 3 traditional cooking functions
- ◆ Ai Defrosting guide : 5 recipes
- ◆ Ai Auto cook MW : 15 recipes
- ◆ 3 levels of chrome wire racks
- ◆ Disengageable 36cm turntable
- ◆ 1 safety grid
- ◆ 1 enamelled drip tray 45mm
- ◆ Built-in dimensions: H 450 mm x W 560 mm x D 550 mm

Express cooking.
The Express Cooking function, available in Manual mode or combined with Auto recipes, allows you to save valuable time by cleverly combining microwave cooking with convection heat or grilling.



SEE USER MANUAL



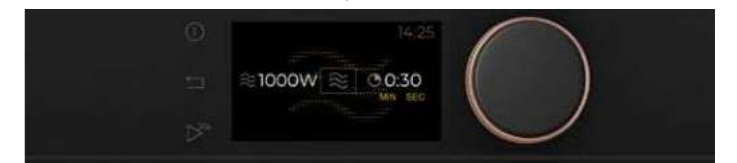
DKC4756MB | MASTER BLACK



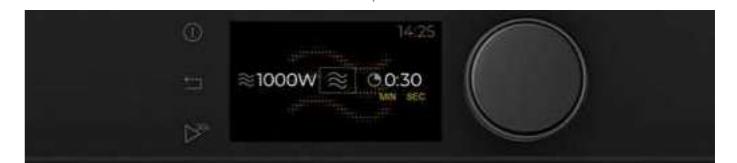
DKC4756X | STELLAR STEEL



DKC4756W | ETERNAL WHITE



DKC4756H | HERITAGE



DKC4756B | INFINITE BLACK

45CM MICROWAVES



DKC4536H | HERITAGE



DKC4536B | INFINITE BLACK



DKC4536X | STELLAR STEEL



DKC4536W | ETERNAL WHITE

DKC4536H COMBINED MICROWAVES

- ◆ White LCD Screen
- ◆ Cavity volume 40L
- ◆ Power 1,000W
- ◆ 10 power levels
- ◆ 3 combined microwave functions
- ◆ 3 traditional cooking functions
- ◆ Ai Defrosting guide : 5 recipes
- ◆ Ai Auto cook MW : 15 recipes
- ◆ 3 levels of chrome wire racks
- ◆ Disengageable 36cm turntable
- ◆ 1 safety grid
- ◆ 1 enamelled drip tray 45mm
- ◆ Built-in dimensions: H 450 mm x W 560 mm x D 550 mm

Auto Mode.
This mode includes cooking programs for a variety of dishes. Depending on the selected recipe, the oven will automatically suggest the best cooking mode for excellent results.



SEE USER MANUAL

45CM MICROWAVES

DKE4535B SOLO MICROWAVES

- ◆ White LCD Screen
- ◆ Cavity volume 40L
- ◆ Power 1,000W
- ◆ 10 power levels
- ◆ Ai Defrosting guide : 5 recipes
- ◆ Ai Auto cook MW : 5 recipes
- ◆ Removable 36cm turntable
- ◆ Built-in dimensions: H 450 mm x W 560 mm x D 550 mm



DKE4535B | INFINITE BLACK



DKE4535X | STELLAR STEEL



DKE4535H | HERITAGE



SEE USER MANUAL

45CM MICROWAVES



DKE4220B | INFINITE BLACK



DKE4220X | STELLAR STEEL



DKE4220H | HERITAGE

DKE4220B SOLO MICROWAVES

- ◆ White LED Screen
- ◆ Cavity volume 40L
- ◆ Power 1,000W
- ◆ 5 power levels
- ◆ 6 automatic functions
- ◆ Removable 36cm turntable
- ◆ Built-in dimensions: H 450 mm x W 560 mm x D 550 mm

DMG2122A COMBINED MICROWAVES

- ◆ White LCD Screen
- ◆ Cavity volume 25 L
- ◆ MW and Grill
- ◆ Power 900W
- ◆ 5 power levels
- ◆ 3 cooking functions: Autocook, Auto defrosting, Grill
- ◆ 8 automatic cooking programmes
- ◆ Removable 31.5cm turntable
- ◆ Built-in dimensions: H 380 mm x W 560 mm x D 500 mm

38CM INTEGRATED MICROWAVES



DMG2122A | BLACK



DMG2122W
WHITE

Combined grill and microwave function.

Our appliance features a 100% grill function, perfect for adding crispiness to your gratins, pies, and pizzas. Additionally, it offers two combined grill and microwave functions, allowing you to heat and grill your dishes simultaneously.

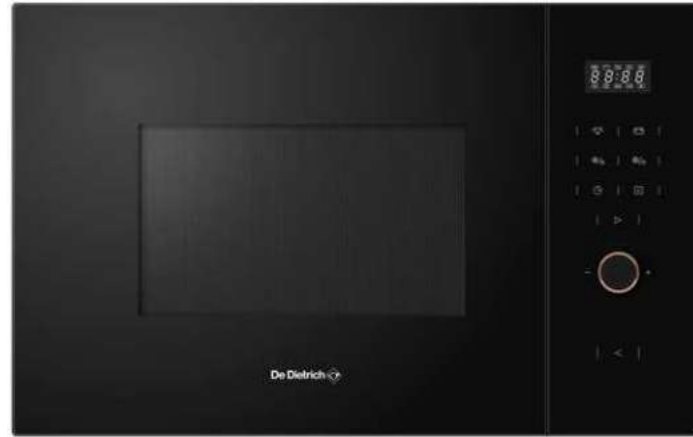


SEE USER MANUAL



SEE USER MANUAL

38CM INTEGRATED MICROWAVES



DMG4210H | HERITAGE



DMG4210B
INFINITE BLACK

DMG4210H COMBINED MICROWAVES

- ◆ White LED Screen
- ◆ Cavity volume 25 L
- ◆ MW and Grill
- ◆ Power 900W
- ◆ 5 power levels
- ◆ 3 cooking functions: Autocook, Auto defrosting, Grill
- ◆ 8 automatic cooking programmes
- ◆ Removable 31.5cm turntable
- ◆ Built-in dimensions: H 380 mm x W 560 mm x D 500 mm



SEE USER MANUAL

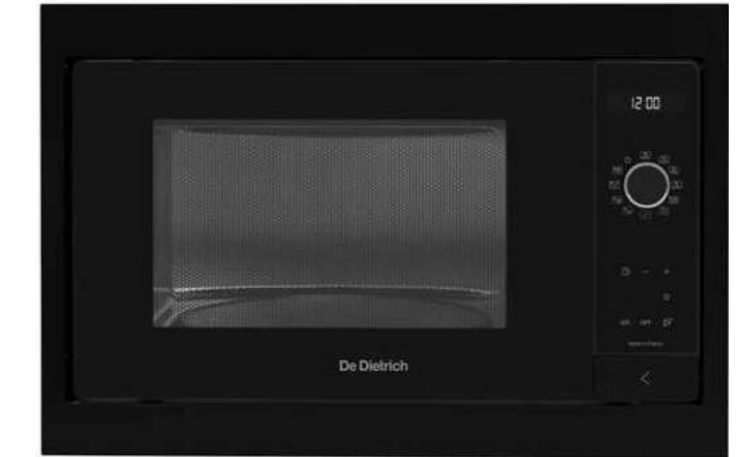
38CM INTEGRATED MICROWAVES

DME4310X SOLO MICROWAVES

- ◆ White LED screen
- ◆ Cavity volume 26 L
- ◆ Power 900W
- ◆ 5 power levels
- ◆ 11 cooking functions including Autocook: 2 automatic cooking programmes (Fresh Vegetables, Fish) and Automatic Defrosting
- ◆ Memo function
- ◆ Removable 30cm turntable
- ◆ Built-in dimensions: H 380 mm x W 560 mm x D 550 mm



SEE USER MANUAL



DME4310X | INOX



DME4310W
ETERNAL WHITE



DME4310H
HERITAGE

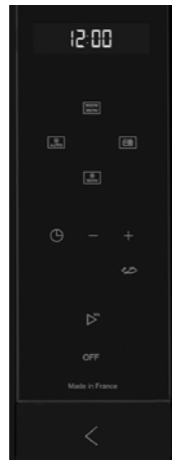


DME4310B
INFINITE BLACK

38CM INTEGRATED MICROWAVES



DME4320B | INFINITE BLACK



DME4320B SOLO MICROWAVES

- ◆ White LED screen
- ◆ Cavity volume 26 L
- ◆ Power 900W
- ◆ 4 power levels
- ◆ 3 cooking functions: Defrosting, Autocook, Auto defrosting
- ◆ Autocook: 2 Automatic Cooking programmes (Fresh Vegetables, Fish)
- ◆ Automatic Defrosting by Weight and/or Time: Poultry, Meat, Prepared Meals
- ◆ Removable 30cm turntable
- ◆ Built-in dimensions: H 380 mm x W 560 mm x D 550 mm

Thanks to the **automatic cooking programmes** the oven combines all of its functionalities to provide fast cooking.



SEE USER MANUAL

COFFEE MACHINES

DKD7400A BUILT IN ESPRESSO COFFEE MACHINE

- ◆ TFT Colour Display
- ◆ Fully automatic
- ◆ Touch sensitive controls
- ◆ Adjustable grinding thinness, water quantity, coffee quantity,
- ◆ temperature, water level indicator
- ◆ Selection of 3 types of coffee (Espresso, regular, tall)
- ◆ Cappuccino and Macchiato functions
- ◆ Steam production
- ◆ Simultaneous preparation of 2 cups
- ◆ Water tank, capacity 1.8L
- ◆ 200gr coffee bean container
- ◆ Pump pressure 15 bars
- ◆ Coffee grinds drawer
- ◆ Mounted on telescopic rails
- ◆ Built-in dimensions: H 450mm x W 560mm x D 550mm

The **built-in coffee machine** is an indispensable element in any kitchen. Not only does it offer unparalleled functionality, but it also creates a strong emotional connection. Whether it's to start the day or to beautifully conclude a meal, the coffee machine transforms every moment into a memorable experience.



SEE USER MANUAL



DKD7400A | ABSOLUTE BLACK



DKD4820B | INFINITE BLACK | AVAILABLE Q1 2025



DKD4810B | INFINITE BLACK | AVAILABLE Q1 2025

DKD4810H | HERITAGE | AVAILABLE Q1 2025

DKD4810X | STELLAR STEEL | AVAILABLE Q1 2025

HEATING AND SOUS VIDE DRAWERS

De Dietrich has enriched its collection with three independent drawers, in perfect harmony with the design and functional spirit of Philharmonie ovens. Endowed with multiple advantages, they settle in your kitchen to keep your dishes warm or to cook with this extremely effective and qualitative preservation technique: sous vide cooking.

As part of a new art of living a harmonious, refined and ingenious kitchen, they adapt to your aesthetic and culinary requirements with the greatest comfort, to orchestrate all your culinary renditions.



Warming drawer.

Its interior volume, lined with non-slip material, can accommodate a full service of 6 place settings in total confidence. To preheat plates, bowls or coffee cups or reheat cooked dishes without drying them out, the temperature - between 30° and 80°C - is controlled electronically, i.e. with great precision. Thanks to its flexible settings, even the most delicate dishes can be defrosted or cooked at low temperature. By setting a timer or a delayed start, you can be sure that you'll be on time to share with your guests these moments of pure conviviality.



Professional sous vide packing drawer.

Top chefs find it essential and De Dietrich makes it more refined and tasty: the drawer is able to vacuum-pack and seal by the rulebook the most varied dishes before or after cooking. While its functionalities are inspired by the professional world, like its stainless steel lifting tray for easy storing and vacuum packing foodstuffs, this model above all deploys a variety of applications which will provide increased pleasure to all your senses. Its digital control panel gives access to numerous programs and three pre-set cycles dedicated to marinating and maturing dishes to match starred recipes, and to vacuum-packing liquids so that you can enjoy this delicious Sunday vegetable soup or that excellent side sauce more often.



Multifunction sous vide drawer.

De Dietrich sous vide is the ideal conditioning method for preserving, freezing or sous vide cooking meat, fish and any other food whose taste qualities you want to preserve. This new drawer ingenious features will allow you to wrap the food and hermetically seal the bags in which they are stored for even greater enjoyment.

With its attention to detail and perfection, De Dietrich equips it with LED lighting providing the interior space with maximum visibility and fits it with two storage systems for aluminium/plastic film rolls, and a digital kitchen scale to help divide dishes into portions.

With these sous vide packed dishes, this drawer will quickly become the essential partner for orchestrating the cooking of your future recipes in your Combisteam or on your Philharmonie induction hob.

Design and functionality: the perfect match.

Their dimensions and their stripped-down 14cm-high front glass, have been designed to elegantly find their place in a column, below the 45 or 60 ovens, in perfect alignment. Fitted with telescopic rails with integrated brakes, they open and close smoothly, without the risk of colliding or destabilizing their contents for greater ease and confidence of use..

DWD4830B PROFESSIONAL SOUS VIDE DRAWER

- ◆ Height 14 cm
- ◆ Standard programmes, Special Maturation, Special Marination, Special Liquids
- ◆ Electronic control with touch-sensitive controls
- ◆ Telescopic Rails

- ◆ Suction power up to 99.9%
- ◆ Vacuum pump power: 3 m³/h
- ◆ 4 sous vide levels
- ◆ 3 Sealing levels (minimum, medium, maximum)

- ◆ Included accessories: 50 sous vide bags (200 x 250 mm and 250 x 300 mm) + 1 sous vide Line (for connection to an external sous vide container)
- ◆ Built-in dimensions: H 140 mm x W 560 mm x D 550 mm



DWD4830B | INFINITE BLACK



Professional sous vide drawer.

Inspired by professional equipment, this drawer features a lifting platform to place and sous vide seal food. It offers three predefined cycles: one for marinating, one for aging dishes, and one for sous vide sealing liquids.



SEE USER MANUAL

SOUS VIDE DRAWERS



DWD4820B | INFINITE BLACK



DWD4820B MULTIFUNCTION SOUS VIDE DRAWER

- ◆ Height 14 cm
- ◆ Sous vide packaging, sealing + cutting
- ◆ Buttons and indicators: Push Pull System
- ◆ Telescopic rails with integrated brakes
- ◆ Integrated scale
- ◆ 2 possible roll holders: aluminum or cellophane
- ◆ LED lighting
- ◆ Accessories included: 25 sous vide bags
- ◆ Built-in dimensions: H 140 mm x W 560 mm x D 550 mm

Sous vide drawer.

This multifunctional sous vide drawer offers an optimal packaging mode to preserve, freeze, or sous vide cook meats, fish, and any other dishes whose organoleptic qualities you wish to maintain.



SEE USER MANUAL

WARMING DRAWERS



DWD4810B | INFINITE BLACK

DWD4810B WARMING DRAWER

- ◆ Height 14 cm
- ◆ Keep warm function: plates and dishes
- ◆ Opening/Closing: Push Pull System
- ◆ Volume: 24 litres, holding approximately: 20 large plates, 30 bowls, or 80 coffee cups
- ◆ Audible timer and power cut-off
- ◆ Adjustable Thermostat from 30°C to 80°C
- ◆ Delayed start
- ◆ Operation indicator light
- ◆ Glass interior coating
- ◆ Quadro rails system
- ◆ Built-in dimensions: H 140 mm x W 560 mm x D 550 mm

Electronic warming drawer.

Thanks to its flexibility in adjusting operating duration, setting a delayed start, and electronically managing temperatures between 30°C and 80°C, this drawer ensures it meets the standards of top chefs, always on time.



SEE USER MANUAL

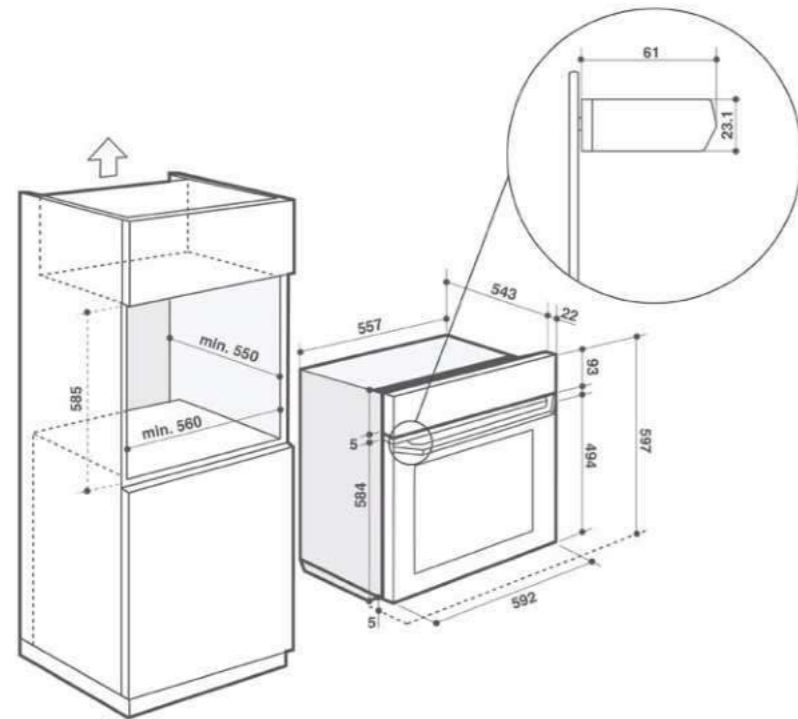


DWD4810W | ETERNAL WHITE

OVEN BUILT-IN DIAGRAMS

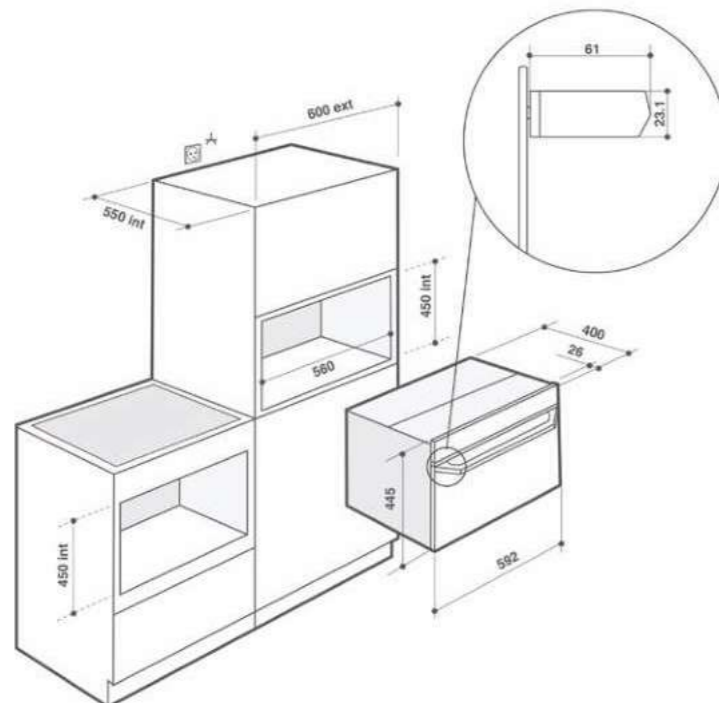
60CM OVENS 73 LITERS (PYROLYSIC MODE)

DOP4756 / DOP4755 / DOP4746 / DOP4741 / DOP4556 / DOP4546 / DOP4543 /
DOH4541 / DOP4335 / DOPH375 / DOH4334 / DOR4747 / DOR4546



45CM OVENS

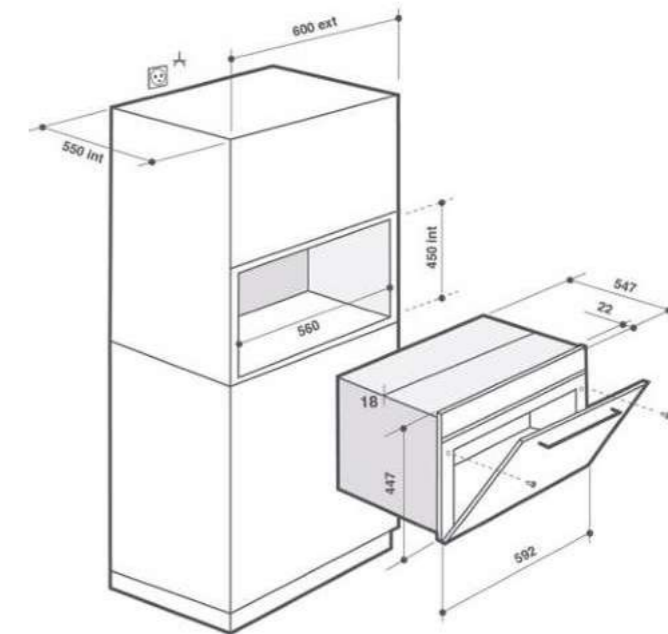
DKR4741 / DKP4531 / DKV4530



MICROWAVES BUILT-IN DIAGRAMS

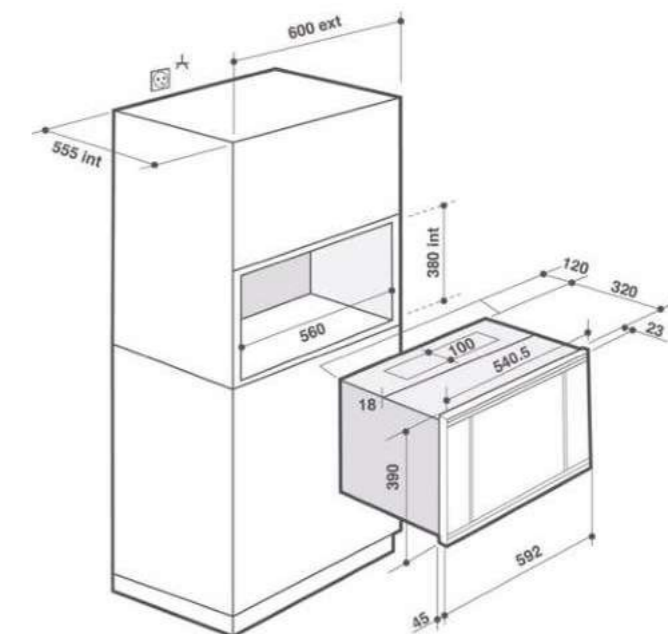
45CM MICROWAVES

DKC4756 / DKC4536 / DKE4535 / DKE4220



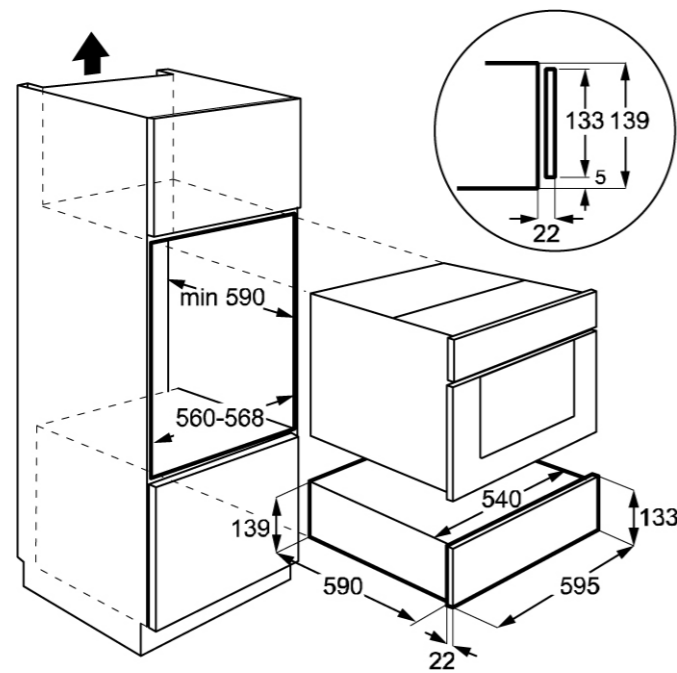
38CM MICROWAVES - 26 LITERS

DMG2122 / DMG4210 / DME4310 / DME4320

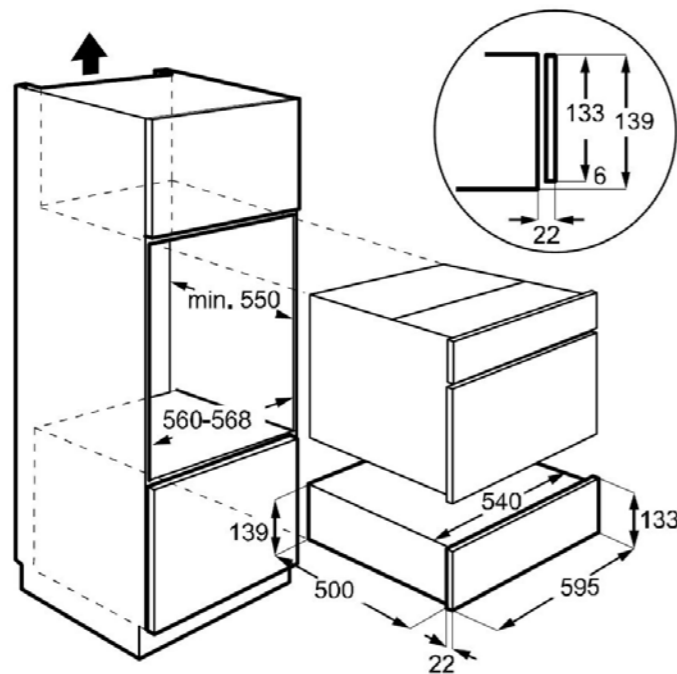


SOUS VIDE AND WARMING DRAWERS BUILT-IN DIAGRAMS

SOUS VIDE DRAWERS DWD4830 / DWD4820



WARMING DRAWERS AND SOUS VIDE DRAWERS DWD4810



ACCESSORIES FROM THE DE DIETRICH OVEN COLLECTION

REFERENCES FOR 60CM OVENS

		DOP4756	DOP4755	DOP4755	DOP4741	DOP4556	DOP4546	DOP4543	DOH4541	DOP4335	DOPH375	DOH4334	DOR4747	DOR4747
Safety grid 1		✓	✓	✓	✓	✓	✓	✓	✓	✓	✓	✓	✓	✓
Safety grid 2		✓	✓	✓	✓	✓	✓	✓					✓	✓
2 half grids		✓	✓	✓	✓	✓	✓	✓					✓	✓
1 45mm drip tray max.		✓	✓	✓	✓	✓	✓	✓	✓	✓	✓	✓	✓	✓
1 tray of 8mm		✓	✓	✓	✓	✓	✓	✓		✓	✓		✓	✓
1 Air Fry dish		✓	✓	✓	✓	✓	✓	✓					✓	✓
1 steam dish													✓	✓

ACCESSORIES FROM THE DE DIETRICH OVEN COLLECTION

REFERENCES FOR 45CM OVENS AND MICROWAVES

		<i>DKR4741</i>	<i>DKP4531</i>	<i>DKV4530</i>	<i>DKC4756</i>	<i>DKC4756</i>	<i>DKC4756</i>	<i>DKE4220</i>
1 safety grid		✓	✓	✓	✓	✓	✓	✓
1 steam dish		✓		✓				
1 45 mm enamelled drip tray max.		✓	✓		✓	✓	✓	✓

COMPATIBILITY OF OVENS WITH MICROWAVES

TABLE OF COMPATIBILITY: 60CM OVENS WITH 45CM OVENS AND MICROWAVES

Collection	Master Black	Master Black	Heritage	Heritage	Heritage	Eternal White	Eternal White
Type of screen	TFT 4,3"	White LCD	TFT 4,3"	White LCD	White LED	White LCD	White LED
OVEN NICHE: 60CM	DOR4747MB		DOR4747H				
	DOP4756MB		DOP4756H				
	DOP4755MB						
			DOP4746HT			DOP4746WT	DOP4746WT
			DOP4741H				
				DOR4546H			
				DOP4556H		DOP4556W	DOP4556W
				DOP4546HT			
				DOP4543H			
				DOH4541H			
			DOP4335H				
MO/OVEN NICHE: 45CM			DKR4741H				
	DKC4756MB		DKC4756H			DKC4756W	DKC4756W
				DKV4530H			
				DKP4531H			
				DKC4536H		DKC4536W	DKC4536W
				DKE4535H			
					DKE4220H		
MO/OVEN NICHE: 36CM						DMG2122W	
		DMG4210MB		DMG4210H			
					DME4310H		DME4310W

COMPATIBILITY OF OVENS WITH MICROWAVES

**TABLE OF COMPATIBILITY:
60CM OVENS WITH 45CM OVENS AND MICROWAVES**

Collection	Infinite Black	Infinite Black	Infinite Black	Stellar Steel	Stellar Steel	Stellar Steel
Type of screen	TFT 4,3"	White LCD	TFT 4,3"	White LCD	White LED	White LCD
OVEN NICHE: 60CM	DOR4747B					
	DOP4756B			DOP4756X		
	DOP4746BT			DOP4746XT		
	DOP4741B			DOP4741X		
		DOR4546B			DOR4546X	
		DOP4556B			DOP4556X	
		DOP4546BT				
		DOP4543B			DOP4543X	
		DOH4541B			DOH4541X	
			DOP4335B			
			DOPH375B			DOPH375X
			DOP4334B			DOP4334X
			DOH4335B			
		DOH4334B				
MO/OVEN NICHE: 45CM	DKR4741B					
	DKC4756B			DKC4756X		
		DKV4530B			DKV4530X	
		DKP4531B			DKP4531X	
		DKC4536B			DKC4536X	
		DKE4535B			DKE4535X	
			DKE4220B			DKE4220X
MO/OVEN NICHE: 36CM				DMG2122A		
		DMG4210B				
			DME4310B			DME4310X
			DME4320B			

HOBBS

- 68 • Induction Hobs
- 78 • Induction Hobs with Probe
- 85 • 90cm Induction Hobs
- 87 • 80cm Induction Hob with Extractor
- 88 • 80cm Induction Hob
- 92 • 65cm Induction Hobs
- 107 • 65cm Gas Induction Hob
- 108 • Vitroceramic Hobs
- 116 • Extra-wide Gas on Glass Hobs
- 118 • Gas on Glass Hobs
- 121 • Inox Gas Hobs
- 124 • Enamel Gas Hobs
- 127 • Domino Hobs





**UNLEASH
YOUR CULINARY
CREATIVITY!**

INDUCTION HOBS

Our induction hobs take the bold step of turning your recipes into perfection while freeing you from cooking constraints. Made from noble materials, they offer a stripped-down design that leaves plenty of room for your culinary talent.

A sauce reduction, a veal stew, pan-fried scallops... The Philharmonie induction hobs enable perfect cooking results thanks to the precise indications displayed on the dialogue screen.

Never before has your cuisine been interpreted with such brilliance and ease



Design: the ultimate culinary art.

Our induction hobs contemporary design is in tune with intuitive use. From sleek surfaces to high-end finishes, every detail is carefully considered to create precision cooking. The backlighting subtle colours, the screen printing finesse, the control panel animations fluidity, the understated brand signature with its edging and hunting horn... More than ever, our hobs are the mirror in which your finest creations take shape.



The interfaces: access to the secrets of top chefs.

Be inspired by Michelin-starred recipes. Our different interfaces provide you with intuitive guidance and reveal their mysteries. Adopt the wide panoramic TFT screen, exclusive to the high-end hobs, to enjoy a unique culinary experience. When a cooking zone has been selected, the touch screen opens to allow one-finger control of the parameters. If you prefer the LCD interface and its backlit keys offering clear and precise text display, you may also opt for elegant screen-printed controls. Whatever your choice, the display gives access to a Culinary Guide of 84 dishes and Step-by-Step Recipes from Michelin-starred chefs. The top Chefs' technical skills will no longer hold any secrets for you.



Ai Talent and Ai Talent Chef: cutting-edge technology by De Dietrich, to orchestrate your future success!

Sharing its commitment for excellence with you, De Dietrich and its Philharmonie hobs give you access to over a hundred pre-programmed recipes, all created by top chefs. Thanks to Ai Talent and Ai Talent Chef, get ready for an exceptional culinary recital!

◆ Ai Talent: guiding you to success.

This autonomous technology will assist you in preparing your dishes and supervising their cooking. Choose from the 84 recipes displayed in the Culinary Guide and follow AI's instructions: It tells you what type of pan and which hob to use, and adjusts the power and cooking time to ensure perfect results.

◆ Ai Talent Chef: step-by-step excellence.

Thanks to our embedded technology and Step-by-Step Recipe mode, you can successfully prepare one of the 25 French and international emblematic dishes. Ingredients and quantities, steps to follow and procedures to perform... Each phase is as detailed as in a cookbook, so you'll never be short of precision, inspiration or talent.



Motion Control: your contactless controlled recipes.

Touching the controls on a hob after you've 'done the work' is bound to get messy. How about avoiding this by directing your cooking with a simple hand wave?

Contactless Motion Control technology means you can interact with our hobs without touching them. A sensor detects and interprets the hand motion to browse the menu, adjust the settings of dishes in progress and precisely set the cooking temperature or time, with a high level of reliability and precision.

To master the gestures, follow the on-screen tutorial. There's nothing like the clean, fingerprint-free surface of your hob to showcase the refined presentation of a dish.



Ai Talent Probe. At the heart of culinary excellence.

Our new collection of induction hobs can be fitted with a wireless temperature probe and its holder. Ai Talent Probe enables precise control of the food core temperature. The probe gives the information in real time to the control panel to help you control your cooking to the nearest degree, or let the hob control all parameters automatically. From the meticulous tempering of chocolate to the delicate cooking of sous-vide food, you're always assured of perfect results.

Three operating modes are available, so that you can follow your score according to your culinary expertise, or your desires.

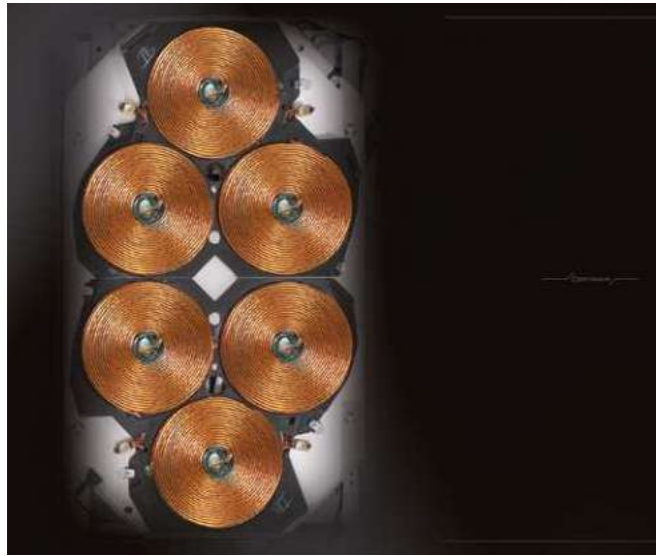
◆ By entering the **Culinary Guide**, you will discover that your probe is your best ally for performing by the rulebook one of the 10 sous-vide recipes proposed by Ai Talent. Vegetables, fish steak, filet mignon, roast beef... and foie gras! A masterful cooking, to the exact degree, to enhance the flavours and allow the virtuoso in you to express fully their talent.

◆ In **assisted mode**, seven pre-programmed functions are proposed with direct access to the control panel of your hob: melting chocolate, sous-vide cooking, warming dishes, stewing or boiling, frying or searing... Depending on the type of cooking you choose, the pre-set temperature is automatically displayed, with the option of adjusting it to your recipes, with a high degree of precision and the assurance of a perfectly controlled cooking.



◆ In **manual mode**, prepare your recipe as you are used to, but with the utmost precision. You set the desired temperature to the nearest degree, which is displayed on the digital screen. Once the set temperature has been reached, the hob emits a beep.

- ◆ **Melting**
50°C by default, adjustable from 40 to 70°C
- ◆ **Sous vide cooking**
60°C, adjustable from 45 to 85°C
- ◆ **Warming**
70°C, adjustable from 65 to 80°C
- ◆ **Slow cooking**
80°C, adjustable from 80 to 90°C
- ◆ **Boiling**
100°C
- ◆ **Frying**
180°C, adjustable from 130 to 190°C
- ◆ **Searing**
60°C, adjustable from 40 to 85°C



horiZone.
The culmination of revolutionary technology.

This 40 x 23cm modular cooking zone is the most complete available on the market and the culmination of De Dietrich French engineers' technological know-how. It can accommodate all types of large, oval, or rectangular containers, including the 23cm frying pan or the 40cm oval casserole dish. It provides a wide range of configurations for unlimited cooking, allowing you to arrange a number of small saucepans or a single large dish as you wish on this clear space. De Dietrich offers a wide range of horiZone induction hobs to meet every need.



Grill function:
A new take on summer classics.

Recreate your finest summer renditions on your induction hob and rediscover the authentic taste and unrivalled flavour of barbecue cooking... Grilled lamb chops, beef steak or red mullet with anise... To give free rein to your desires whatever the season, De Dietrich offers you the option of a cast iron grill, ideally designed to complement your Philharmonie hob and fit onto one of the horiZone cooking zones. A cooking function is associated with it to sear and sizzle your meat and fish by the rulebook. A fine marinade will bring out the best of their flavour and tenderness.



Induction hob, hood & Autolink.
Cooking and suction in tune.

If you want to live your passion even more intensely, imagine a hood that blows in tune with your culinary performances, before you even think about it... The combination of aesthetic harmony, performance and exclusive processes is the daring marriage of this De Dietrich hob and extractor hood set, divinely sealed by Autolink technology: the extractor hood's suction system and lighting are triggered spontaneously from the moment the induction hob is switched on, by a simple infrared link; it adjusts its suction flow independently according to the set power of the cooking in progress, then switches off automatically at the end of the cooking. So all you have to do is focus on your culinary preparations with all due attention.



Optional grill: DAIG001B



Fonction Eco.
Uncompromising cooking results.

With its finger on the pulse of trends, De Dietrich offers a new way of cooking to all those who wish to reconcile energy sobriety and culinary delight. The Eco function uses the residual heat from boiling to continue cooking with the cooking zone off. All you have to do is cover the utensil, choose your Eco recipe in the culinary guide and let the hob run until the final note. A passive cooking in a way, full of promise and attention.



Tenor 5500W Inductor.
to unleash one's virtuoso power.

Top chefs are unanimous: if precision determines the success of any recipe, speed of temperature rise and heating power are equally decisive... These qualities are those of the new Tenor inductor, equipped with a double burner and a power injection system optimized for greater performance. This 30cm diameter cooking zone can reach 5,500W in record time (time saving of 25% compared to a 4,600W cooking zone for similar power consumption) to boil up ultra-fast and sear your meat with astonishing virtuosity for an exceptional result.

Power Management.
When energy meets your needs.

The new De Dietrich induction hobs can be installed without any concern for electrical constraints. Their redesigned design - via new algorithms and electronic systems - now offers four different power levels and connections: 7,400W - 32A / 5,700W - 25A / 4,600W - 20A / 3,600W - 16A. The option of limiting the maximum power delivered by the hob (set to 7400W by default) ensures optimum use and performance, whatever your living environment and the electrical standards in force. No more limits to your culinary imagination and installation constraints!



Backlight.
An ode to ultimate refinement.

A fusion of materials and textures, quality of finishes, attention to detail... This collection of induction hobs in intense and deep black glass, is particularly dedicated to lovers of unusual objects wishing to combine perfection and harmony.

This new Backlight feature means that nothing is visible from the control panel so that, once turned off, the hob can blend seamlessly into the surrounding environment. The epitome of refinement for the most elegant living spaces.



The most wonderful culinary creations are at your command.

Unrivalled flexibility, power & precise adjustment...

Some preparations, such as chocolate fondue, require very gentle cooking. While others require a quick, strong boil...

To orchestrate all your recipes with talent, De Dietrich achieves the miracle of adjusting to all temperatures, from the mildest to the most intense, with unrivalled responsiveness. Any change in power, among the 20 cooking settings offered (including Boost), is instantaneous indeed.

Its cooking zones reach record powers: up to 3,700W on classic cooking zones, 4,800W on horiZone and 5,500W for the new Tenor cooking zone.

Available in different diameters, they bring together round, rectangular or oval, small and large containers, to beat the tempo with an innate sense of time.

Increasingly high-performance features to achieve excellence.

◆ **ICS:** recommends the best-suited zone for any given pan so that you get maximum efficiency.

◆ **Elapsed time:** the time since the last heat adjustment was made is displayed on the keypad. This function is perfect for keeping an eye on dishes, and is essential for when you forget to set the timer.

◆ **Recall:** programmed settings (for heat and time) are saved so that you can retrieve them should the cooking zone turn off unexpectedly.

◆ **Switch - settings tracker:** with this function, you can move your pan from one zone to another and keep the same settings (cooking style and timer).

◆ **Automatic pan detection:** once it is turned on, the hob automatically recognises a pan placed on any of its zones and displays it on the keypad.

When time is scarce: functionality and precision are here to help.

◆ **Boil function:** for pushing the physical limitations of time, with the ability to boil 2 litres of water in record time.

◆ **Four direct access controls for added efficiency:** with a simple touch on the dedicated button, De Dietrich induction hobs provide you with instant access to power settings for searing, simmering, or keeping your dishes warm.

◆ **Timers:** each zone is equipped with its own timer, for you to programme the cooking time.

Blanching function.

Mastering the elements.

How about a sous-chef to help you cook a beautiful and authentic quince jam or a pan of crunchy, firm green beans?...

To peel your fruits and vegetables more easily, preserve their colour and texture, while keeping their flavour intact, there's nothing like blanching them first. You can rely on De Dietrich to master this technique with talent. Simply place your food to be blanched in a saucepan with cold water and start the dedicated function. Your hob will almost take care of the rest: once the water has boiled - the temperature will not exceed the required 100°C and will remain at this level - the hob will automatically switch off after five minutes of cooking, with a beep.

Then it's up to you to plunge your fruit or vegetables into a bath of ice water, for a chef's result and a cooking pleasure for the eye and the palate.

The most exacting safety standards.

To keep the hob completely safe whilst the zones are being cleaned, the **Clean Lock** feature allows you to temporarily block all commands for one minute. What is more, all hobs are fitted with ten security levels which guarantee you trouble-free cooking at all times:



◆ **Anti-Overheating safety feature:** exclusive to De Dietrich, it limits the temperature under the zone to 300°C. Oil, for example, then stays at a constant temperature, and there is no risk of ignition.

◆ **Anti-Overspill safety feature:** if liquid spills over onto the control panel, the hob turns itself off automatically.

◆ **Keyboard Lock:** this function prevents anyone - particularly children - from turning the hob on accidentally.

◆ **Residual heat indicators:** after a long cooking period, the zone surface may remain hot. A light showing the letter "H" appears on the keypad while the temperature remains above 65°C.

◆ **Automatic-stop system:** should you leave a dish untouched for a long time during cooking, the hob will switch off.

◆ **Cookware Detection:** if no container is placed on the induction hob, LEDs flash until it is started properly, and the system will turn itself off after one minute.

◆ **Small Utensils safety feature:** Cutlery or small utensils placed on the hob during operation are not likely to heat up; induction is only triggered by contact with metal surfaces larger than 10cm in diameter.

◆ **Voltage:** the hob is able to detect low voltages*.

◆ **Connection:** a beep is emitted and electrical circuits are protected in the event of an incorrect connection*.

◆ **Overvoltage:** this valuable safety feature prevents damage to electrical circuits, particularly in the event of lightning*.

*Within limits of tolerance of the French network.



WHEN
INSPIRATION
MEETS
ASPIRATION

INDUCTION HOBS WITH HOOD

A new De Dietrich creation and the stuff of dreams, Allure hobs reflect the brand's authentic passion for design and pursuit of excellence, with a constant focus on quality and performance.



A design to match your inspiration.

Available in a Noir infini version with unprecedented depth and velvety shades that beckon the touch, these unique compositions with their pure design combine intuitive use of a cutting-edge induction hob with a powerful and refined integrated cooker hood.

A collection at the forefront of trends. Available in 60 cm or 80 cm, these new De Dietrich creations give full rein to their talents, and play their perfect part in the most contemporary kitchen spaces.

A collection at the forefront of trends.

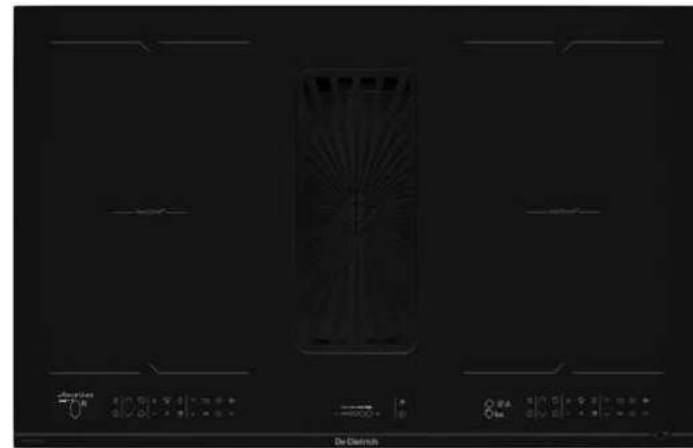
Available in 60 cm or 80 cm, these new De Dietrich creations give full rein to their talents, and play their perfect part in the most contemporary kitchen spaces.



A culinary virtuosity in tune with the times.

At the cutting edge of trends and technology, Allure brings together the very best in cooking and extraction. For truly virtuoso cooking, you can take advantage of the unrivalled modularity provided by the **two horiZone areas** and its extremely flexible digital interface. With fine-tuned control, a dedicated keypad for each cooking zone and twenty power settings, including Boost, will suit all your recipes. At the heart of this wide cooking area, the **extraction system** is elegantly placed to deliver its full power. As close as possible to your cooking, it instantly captures the fumes and odours released during cooking. Controlled by a central keyboard, its Brushless motor, as powerful as it is silent, comes with four suction speeds to match your requirements and culinary inspirations. The grease filter, easily accessible for cleaning once saturated in your dishwasher, conceals a receptacle to deal with any liquid spillage from cooking utensils... The ultimate sign of cleverness and practicality in this new creation of excellence.

80CM INDUCTION HOBS WITH PROBE



DPH4840BT | INFINITE BLACK



DAIG001B | BLACK GRILL

DPH4840BT AI TALENT PROBE

- ◆ 4 independent zones with 2 horiZone cooking spaces of 40 cm x 23 cm of 3,800 W
- ◆ White LCD Screen
- ◆ Touch-sensitive buttons
- ◆ 20 cooking positions
- ◆ 4 Boosters / 4 timers
- ◆ 3 direct access controls including Boost
- ◆ 6 functions: Clean lock, Automatic pan recognition, Recall, Boost, Grill/Plancha, ICS
- ◆ 8 probe functions: Sear, Heat up, Expert mode, Fry, Melt, Slow cooking, Sous vide, Boil
- ◆ Grill Mode (sold as an optional accessory, reference: DAIG001B)
- ◆ Total hob power of 7,400W
- ◆ 10 safety features including residual heat indicator on keypad and central locking
- ◆ Built-in dimensions H 60 mm x W 800 mm x D 515 mm
- ◆ Built-in extractor hood :
 - ◆ Horizontal extraction with valve De Dietrich grid
 - ◆ Speed setting slider
 - ◆ Maximum airflow of 500m³/h
 - ◆ Sound level (Standard re1 pW/DIN/EN 60704-2-13) mini: 54dB(A), maxi: 58dB(A)
- ◆ Electronic touch sensitive controls
- ◆ 4 power levels including boost
- ◆ Energy labelling: A++
- ◆ Filters saturation indicator
- ◆ Hand washable aluminium grease filter
- ◆ Accessories : carbon filter AKF55
- ◆ Installation for use in recycling mode



Perfect sensor probe and its base delivered with the hob

Ai TALENT PROBE

The hob automatically and expertly adjusts the power and cooking time according to your choice among 84 foods. It recommends the most suitable cooking zone and utensil for exceptional results.



SEE USER MANUAL

65CM INDUCTION HOBS WITH PROBE

DPI4451GT AI TALENT PROBE

- ◆ 4 independent zones with 2 horiZone cooking spaces of 40 cm x 23 cm of 3,700 W
- ◆ TFT Screen
- ◆ Tactile control
- ◆ 20 cooking positions
- ◆ Ai Culinary Guide: 84 options
- ◆ Ai Recipes: 25 options
- ◆ 4 Boosters / 4 timers
- ◆ 5 direct access controls including Boost
- ◆ 16 functions : Auto link, Blanch, Boil, Boost, Clean lock, Sous vide cooking, Automatic pan recognition, Elapsed time, Grill, Hob to hood, ICS, Motion control, Power management, Recall, Switch, lock
- ◆ 8 probe functions: Sear, Heat up, Expert mode, Fry, Melt, Slow cooking, Sous vide, Boil
- ◆ Grill Mode (sold as an optional accessory, reference: DAIG001B)
- ◆ Total hob power of 7,400W
- ◆ 10 safety features including residual heat indicator on keypad and central locking
- ◆ Built-in dimensions: H 60 mm x W 650 mm x D 510 mm



Perfect sensor probe and its base delivered with the hob

Motion Control:

With simple hand gestures, control the power and cooking time settings like an orchestra conductor, without touching the control panel. No more fingerprints on your surface.



SEE USER MANUAL

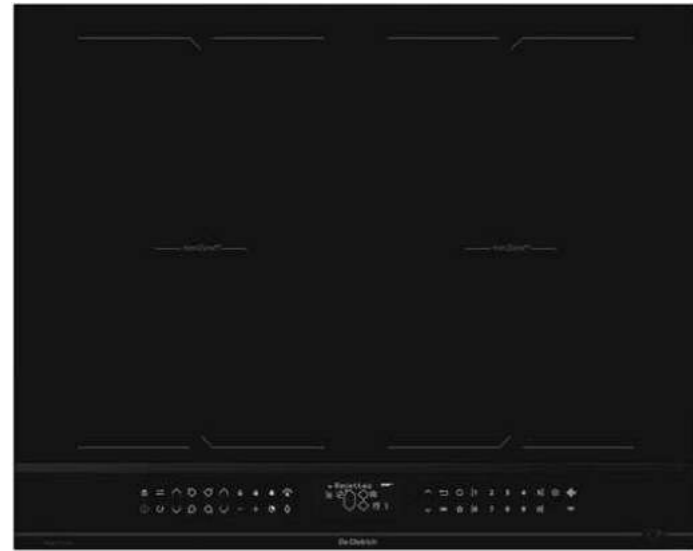


DPI4451GT | DARK GREY



DAIG001B | BLACK GRILL

65CM INDUCTION HOBS WITH PROBE



DPI4441BT | INFINITE BLACK



DAIG001B | BLACK GRILL

DPI4441BT AI TALENT PROBE

- ◆ 4 independent zones with 2 horiZone cooking spaces of 40 cm x 23 cm of 3,700 W
- ◆ White LCD Screen
- ◆ Backlit buttons
- ◆ Backlight
- ◆ 20 cooking positions
- ◆ Ai Culinary Guide: 84 options
- ◆ 4 Boosters / 4 timers
- ◆ 4 direct access controls including Boost
- ◆ 16 functions : Auto link, Blanch, Boil, Boost, Clean lock, Sous vide cooking, Automatic pan recognition, Elapsed time, Grill, ICS, Power management, Recall, Switch, lock
- ◆ 8 probe functions: Sear, Heat up, Expert mode, Fry, Melt, Slow cooking, Sous vide, Boil
- ◆ Grill Mode (sold as an optional accessory, reference: DAIG001B)
- ◆ Total hob power of 7,400W
- ◆ 10 safety features including residual heat indicator on keypad and central locking
- ◆ Built-in dimensions: H 60 mm x W 650 mm x D 515 mm



Perfect sensor probe and its base delivered with the hob

Culinary Probe:

With its connected probe, the table allows you to set a temperature, access 10 intelligent sous vide recipes, and utilize 7 cooking functions to melt, cook sous-vide, reheat, simmer, boil, fry, and sear.



SEE USER MANUAL

80CM INDUCTION HOBS WITH PROBE

DPI4831BT AI TALENT PROBE

- ◆ 4 independent zones with 1 horiZone cooking space of 40 cm x 23 cm of 3,700 W
- ◆ Center 28 cm/3,700W
- ◆ Front right 16cm/2,400W
- ◆ White LCD Screen
- ◆ Backlit buttons
- ◆ Backlight
- ◆ 20 cooking positions
- ◆ 4 Boosters / 4 timers
- ◆ 4 direct access controls including Boost
- ◆ 3 functions: Auto link, Power management, Grill/Plancha
- ◆ 8 probe functions: Sear, Heat up, Expert mode, Fry, Melt, Slow cooking, Sous vide, Boil
- ◆ Grill Mode (sold as an optional accessory, reference: DAIG001B)
- ◆ Total hob power of 7,400W
- ◆ 10 safety features including residual heat indicator on keypad and central locking
- ◆ Built-in dimensions: H 60 mm x W 800 mm x D 515 mm



Perfect sensor probe and its base delivered with the hob

Backlight Touch Controls:

Discover the perfection of minimalist design with our invisible keyboard, offering a sleek and modern aesthetic. When the hob is turned off, its design remains simple and discreet. Upon activation, the touch controls light up, revealing a total backlighting system that combines elegance and functionality.



SEE USER MANUAL



DPI4831BT | INFINITE BLACK



DAIG001B | BLACK GRILL

65CM INDUCTION HOBS WITH PROBE



DPI4431BT | INFINITE BLACK



DAIG001B | BLACK GRILL



DPI4431XT | STELLAR STEEL

DPI4431BT AI TALENT PROBE

- ◆ 4 independent cooking zone with 2 Horizon of 40 cm x 23 cm of 3,700 W
 - Front right : 16cm/2,400W
 - Rear right : 23cm/3,700W
- ◆ White LCD Screen
- ◆ Touch sensitive buttons
- ◆ 20 cooking positions
- ◆ Ai Culinary Guide: 84 options
- ◆ 4 Boosters / 4 timers
- ◆ 4 direct access controls including Boost
- ◆ 14 functions : AutoLink, Blanch, Boil, Boost, Clean lock, Sous vide cooking, Automatic pan recognition, Elapsed time, Grill, ICS, Power management, Recall, Switch, Lock»
- ◆ 8 probe functions: Sear, Heat up, Expert mode, Fry, Melt, Slow cooking, Sous vide, Boil
- ◆ Grill Mode (sold as an optional accessory, reference: DAIG001B)
- ◆ Total hob power of 7,400W
- ◆ 10 safety features including residual heat indicator on keypad and central locking
- ◆ Built-in dimensions: H 60 mm x W 650 mm x D 515 mm



Perfect sensor probe and its base delivered with the hob

LCD Screen:

Discover a new ergonomic and intuitive screen for perfect readability. The text display allows you to navigate and access more features, including the Culinary Guide, Boil, and Blanch functions.



SEE USER MANUAL

65CM INDUCTION HOBS WITH PROBE

DPI4320XT AI TALENT PROBE

- ◆ 3 independent cooking zone :
 - Front left 16cm / 2,400W
 - Rear left and right 23cm / 3,700W
 - Center right 28cm / 3,700W
- ◆ White LCD Screen
- ◆ Touch-sensitive buttons
- ◆ 20 cooking positions
- ◆ Ai Culinary Guide: 84 options
- ◆ 12 functions : Blanch, Boil, Boost, Clean lock, Automatic pan recognition, Elapsed time, ICS, Power management, Recall, Switch, Lock, Sous vide cooking
- ◆ 8 probe functions: Sear, Heat up, Expert mode, Fry, Melt, Slow cooking, Sous vide, Boil
- ◆ Total hob power of 7,400W
- ◆ 10 safety features including residual heat indicator on keypad and central locking
- ◆ Built-in dimensions: H 60 mm x W 650 mm x D 515 mm



Perfect sensor probe and its base delivered with the hob

Ai Talent:

The hob automatically adjusts the power and cooking time with precision based on your choice from 74 different foods. It recommends the ideal cooking zone and utensil to ensure exceptional results.



SEE USER MANUAL



DPI4320XT | STELLAR STEEL



DPI4320BT | INFINITE BLACK

38CM INDUCTION DOMINO WITH PROBE



DPI4230HT | HERITAGE



DPI4230HT AI TALENT PROBE

- ◆ 2 independent zones with 1 horiZone cooking space of 40 cm x 23 cm of 4,800 W
- ◆ White LCD Screen
- ◆ Touch-sensitive buttons
- ◆ 20 cooking positions
- ◆ Ai Culinary Guide: 74 options
- ◆ 2 Boosters / 2 timers
- ◆ 4 direct access controls including Boost
- ◆ 8 functions : Lock, ICS, Elapsed time, Automatic pan recognition, Clean lock, Boil, Boost, Blanch
- ◆ 8 probe functions: Sear, Heat up, Expert mode, Fry, Melt, Slow cooking, Sous vide, Boil
- ◆ Total hob power of 4, 800W
- ◆ 10 safety features including residual heat indicator on keypad and central locking
- ◆ Built-in dimensions: H 60 mm x W 380 mm x D 515 mm



Perfect sensor probe and its base delivered with the hob



SEE USER MANUAL

90CM INDUCTION HOBS

DPI4942B INDUCTION HOB

- ◆ 6 independent zones with 3 horiZone cooking spaces of 40 cm x 23 cm of 3,700 W
- ◆ White LCD Screen
- ◆ Backlit buttons
- ◆ Backlight
- ◆ 20 cooking positions
- ◆ 6 Boosters / 6 timers
- ◆ 4 direct access controls including Boost
- ◆ 4 functions : Auto link, Power management, Grill/Plancha, Boost
- ◆ Grill Mode (sold as an optional accessory, reference: DAIG001B)
- ◆ Total hob power of 11,100W
- ◆ 10 safety features including residual heat indicator on keypad and central locking
- ◆ Built-in dimensions: H 60 mm x W 930 mm x D 515 mm



DPI4942B | INFINITE BLACK



DAIG001B | BLACK GRILL

Power Management:

Thanks to a new technology, it is possible to limit the maximum power delivered by the table, thus ensuring optimized use and performance regardless of your electrical installation.



SEE USER MANUAL

90CM INDUCTION HOBS



DPI4932BP | INFINITE BLACK



DAIG001B | BLACK GRILL

DPI4932BP AI TALENT

- ◆ 5 independent zones including 1 Tenor inductor and 1 horiZone cooking space of 40 cm x 23 cm of 3,700 W
 - Center 30cm/5,500W (Tenor inductor)
 - Rear right 23cm/3,700W
 - Front right 16cm/2,400W
- ◆ White LCD Screen
- ◆ Backlit buttons
- ◆ Backlight
- ◆ 20 cooking positions
- ◆ 5 Boosters / 5 timers
- ◆ 4 direct access controls including Boost
- ◆ 4 functions : Auto link, Power management, Grill/Plancha, Boost
- ◆ Grill Mode (sold as an optional accessory, reference: DAIG001B)
- ◆ Total hob power of 11,100W
- ◆ 10 safety features including residual heat indicator on keypad and central locking
- ◆ Built-in dimensions: H 60 mm x W 930 mm x D 515 mm

Culinary Assistant Function:

Under this function, you'll find: Recipes / Boil / Blanch. Your hob features a culinary guide offering a selection of recipes. This cooking mode automatically selects the appropriate cooking parameters based on the food you are preparing.



SEE USER MANUAL

80CM INDUCTION HOBS WITH EXTRACTOR

DPH4840B AI TALENT

- ◆ 4 independent zones with 2 horiZone cooking spaces of 40 cm x 23 cm of 3,700 W
- ◆ White LCD Screen
- ◆ Touch-sensitive buttons
- ◆ 20 cooking positions
- ◆ 4 Boosters / 4 timers
- ◆ 3 direct access controls including Boost
- ◆ 2 functions : Grill/plancha, Boost
- ◆ Total hob power of 7,400W
- ◆ 10 safety features including residual heat indicator on keypad and central locking
- ◆ Built-in dimensions: H 60 mm x W 800 mm x D 515 mm
- ◆ Built-in extractor hood :
 - ◆ Horizontal extraction with valve De Dietrich grid
 - ◆ Speed setting slider
 - ◆ Maximum airflow of 500m³/h
 - ◆ Sound level (Standard re1 pW/DIN/EN 60704-2-13) mini: 54dB(A), maxi: 58dB(A)
 - ◆ Electronic touch-sensitive controls
 - ◆ 4 power levels including boost
 - ◆ Energy labelling: A++
 - ◆ Filters saturation indicator
 - ◆ Hand washable aluminium grease filter
 - ◆ Accessories : carbon filter AKF55
 - ◆ Installation for use in recycling mode

Ai Talent:

The hob automatically adjusts the power and cooking time with precision based on your choice from 74 different foods. It recommends the ideal cooking zone and utensil to ensure exceptional results.



DPH4840B | INFINITE BLACK



SEE USER MANUAL

80CM INDUCTION HOBS



DPI4832B | INFINITE BLACK



DPI4832B AI TALENT

- ◆ 5 independent zones including 1 horiZone cooking space of 40 cm x 23 cm of 3,700 W
 - Center 28cm/3,700W
 - Rear left 16cm/2,400W
 - Front left 18cm/2,800W
- ◆ White LCD Screen
- ◆ Backlit buttons
- ◆ Backlight
- ◆ 20 cooking positions
- ◆ 4 Boosters / 4 timers
- ◆ 4 direct access controls including Boost
- ◆ 4 functions : Auto link, Power management, Grill/Plancha, Boost
- ◆ Total hob power of 7,400W
- ◆ 10 safety features including residual heat indicator on keypad and central locking
- ◆ Built-in dimensions: H 60 mm x W 800 mm x D 515 mm

80CM INDUCTION HOBS



DPI4830B | INFINITE BLACK



DPI4830B AI TALENT

- ◆ 4 independent zones including 1 horiZone cooking space of 40 cm x 23 cm of 3,700 W
 - Center 28cm/3,700W
 - Front right 16cm/2,400W
- ◆ White LCD Screen
- ◆ Backlit buttons
- ◆ Backlight
- ◆ 20 cooking positions
- ◆ 4 Boosters / 4 timers
- ◆ 4 direct access controls including Boost
- ◆ 3 functions: Autolink, Power management, Grill/Plancha
- ◆ Grill Mode (sold as an optional accessory, reference: DAIG001B)
- ◆ Total hob power of 7,400W
- ◆ 10 safety features including residual heat indicator on keypad and central locking
- ◆ Built-in dimensions: H 60 mm x W 800 mm x D 515 mm



DAIG001B | BLACK GRILL

LCD screen:

Discover a new ergonomic and intuitive screen for perfect readability. The text display allows you to navigate and access more features, including the Culinary Guide, Boil, and Blanch functions.



SEE USER MANUAL



SEE USER MANUAL

80CM INDUCTION HOBS



DPI4820X | STELLAR STEEL



DPI4820X AI TALENT

- ◆ 4 independent zones including
 - Front left and right 16cm / 2,400W
 - Rear left 23 cm/ 3,700W
 - Rear right 28cm / 3,700W
- ◆ White LCD Screen
- ◆ Capacitive buttons
- ◆ 20 cooking positions
- ◆ 4 Boosters / 4 timers
- ◆ 4 direct access controls including Boost
- ◆ Power management
- ◆ Total hob power of 7,400W
- ◆ 10 safety features including residual heat indicator on keypad and central locking
- ◆ Built-in dimensions: H 60 mm x W 800 mm x D 515 mm

Power Management:

Thanks to a new technology, it is possible to limit the maximum power delivered by the table, thus ensuring optimized use and performance regardless of your electrical installation.

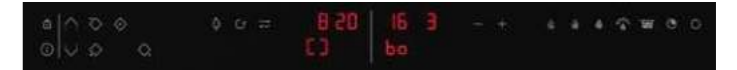


SEE USER MANUAL

80CM INDUCTION HOBS



DPI4810B | BLACK



DPI4810B INDUCTION HOB

- ◆ 4 independent zones including 1 horiZone cooking space of 40 cm x 23 cm of 3,700 W
 - Rear right 28cm/3,700W
 - Front right 16cm/2,400W
- ◆ Red led screen
- ◆ Touch-sensitive buttons
- ◆ 15 cooking positions
- ◆ 4 Boosters / 4 timers
- ◆ 4 direct access controls including Boost
- ◆ 7 functions : Elapsed time, Boil, Automatic pan recognition, ICS, Recall, Switch, Boost
- ◆ Total hob power of 7,400W
- ◆ 10 safety features including residual heat indicator on keypad and central locking
- ◆ Built-in dimensions: H 60 mm x W 800 mm x D 515 mm

Clever functions:

ICS: Instant identification of the most appropriate cooking zone

Elapsed Time: Displays on the control panel the time elapsed since the last power adjustment of a cooking zone

Recall: Saves the settings (power and timer) of the cooking zone in case of an unexpected power cut

Boil: Brings 0.5 to 6 litres of water to a boil without overflow and without cooking adjustment

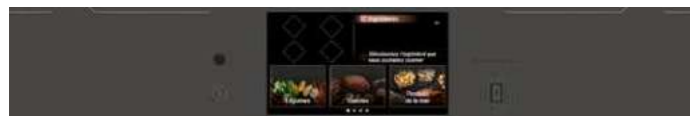


SEE USER MANUAL

65CM INDUCTION HOBS



DPI4450G | DARK GREY



DAIG001B | BLACK GRILL

DPI4450G AI TALENT CHEF

- ◆ 4 independent zones including 2 horiZone cooking spaces of 40 cm x 23 cm of 3,700 W
- ◆ TFT Colour
- ◆ Tactile control
- ◆ 20 cooking positions
- ◆ Ai Culinary Guide: 74 options
- ◆ Ai Recipes: 25 options
- ◆ 4 Boosters / 4 timers
- ◆ 5 direct access controls including Boost
- ◆ 15 functions : AutoLink, Blanch, Boil, Boost, Clean lock, Automatic pan recognition, Elapsed time, Grill, ICS, Motion control, Power management, Recall, Switch, Lock
- ◆ Grill Mode (sold as an optional accessory, reference: DAIG001B)
- ◆ Total hob power of 7,400W
- ◆ 10 safety features including residual heat indicator on keypad and central locking
- ◆ Built-in dimensions: H 60 mm x W 650 mm x D 510 mm

Ai Recipes:

Let yourself be guided step by step towards exceptional culinary horizons through 25 recipes developed by our 3-star chef, thanks to our artificial intelligence and a high-resolution colour TFT touch screen.



SEE USER MANUAL

65CM INDUCTION HOBS

DPI4442B AI TALENT

- ◆ 4 independent zones including 2 horiZone cooking spaces of 40 cm x 23 cm of 3,700 W
- ◆ White LCD Screen
- ◆ Backlit buttons
- ◆ Backlight
- ◆ 20 cooking positions
- ◆ Ai Culinary Guide: 74 options
- ◆ 4 Boosters / 4 timers
- ◆ 4 direct access controls including Boost
- ◆ 15 functions : AutoLink, Blanch, Boil, Boost, Clean lock, Automatic pan recognition, Elapsed time, Grill, ICS, Motion control, Power management, Recall, Switch, Lock
- ◆ Grill Mode (sold as an optional accessory, reference: DAIG001B)
- ◆ Total hob power of 7,400W
- ◆ 10 safety features including residual heat indicator on keypad and central locking
- ◆ Built-in dimensions: H 60 mm x W 650 mm x D 515 mm

Backlight Touch Controls:

A sleek design when the hob is off. The touch controls light up when the hob is switched on



SEE USER MANUAL



DPI4442B | INFINITE BLACK



DAIG001B | BLACK GRILL

65CM INDUCTION HOBS



DPI4432B | INFINITE BLACK



DAIG001B | BLACK GRILL

DPI4432B AI TALENT

- ◆ 4 independent zones including 1 horiZone cooking space of 40 cm x 23 cm of 3,700 W
 - Front right 16cm/2,400W
 - Rear right 23cm/3,700W
- ◆ White LCD Screen
- ◆ Backlit buttons
- ◆ Backlight
- ◆ 20 cooking positions
- ◆ Ai Culinary Guide: 74 options
- ◆ 4 Boosters / 4 timers
- ◆ 4 direct access controls including Boost
- ◆ 14 functions : AutoLink, Blanch, Boil, Boost, Clean lock, Automatic pan recognition, Elapsed time, Grill, ICS, Power management, Recall, Switch, Lock
- ◆ Grill Mode (sold as an optional accessory, reference: DAIG001B)
- ◆ Total hob power of 7,400W
- ◆ 10 safety features including residual heat indicator on keypad and central locking
- ◆ Built-in dimensions: H 60 mm x W 650 mm x D 515 mm

Ai talent:

The hob automatically adjusts the power and cooking time with precision based on your choice from 74 different foods. It recommends the ideal cooking zone and utensil to ensure exceptional results.



SEE USER MANUAL

65CM INDUCTION HOBS

DPI4431B AI TALENT

- ◆ 4 independent zones including 1 horiZone cooking space of 40 cm x 23 cm of 3,700 W
 - Front right 16cm/2,400W
 - Rear right 23cm/3,700W
- ◆ White LCD Screen
- ◆ Touch-sensitive buttons
- ◆ 20 cooking positions
- ◆ Ai Culinary Guide: 74 options
- ◆ 4 Boosters / 4 timers
- ◆ 4 direct access controls including Boost
- ◆ 13 functions : Blanch, Boil, Boost, Clean lock, Automatic pan recognition, Elapsed time, Grill, ICS, Power management, Recall, Switch, Lock
- ◆ Grill Mode (sold as an optional accessory, reference: DAIG001B)
- ◆ Total hob power of 7,400W
- ◆ 10 safety features including residual heat indicator on keypad and central locking
- ◆ Built-in dimensions: H 60 mm x W 650 mm x D 515 mm

Power Management:

Thanks to innovative electronics, it is now possible to limit the maximum power output of the table with four possible levels. This ensures optimal use and performance, regardless of your electrical installation.



SEE USER MANUAL



DPI4431B | INFINITE BLACK



DAIG001B | BLACK GRILL



DPI4431X | STELLAR STEEL

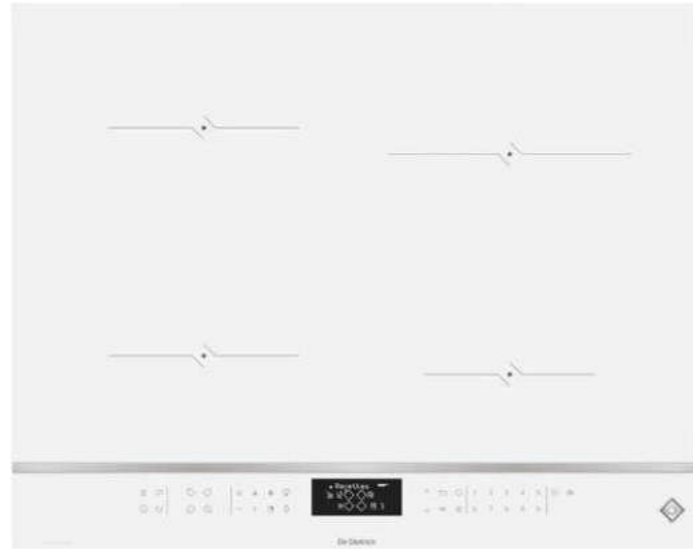


DPI4431W | ETERNAL WHITE



DPI4431H | HERITAGE

65CM INDUCTION HOBS



DPI4420W | ETERNAL WHITE



DPI4420W AI TALENT

- ◆ 4 independent zones including
 - Front left and rear left 18cm / 2,800W
 - Front right 16cm / 2,400W
 - Rear left 23 cm/ 3,700W
- ◆ White LCD Screen
- ◆ Touch-sensitive buttons
- ◆ 20 cooking positions
- ◆ Ai Culinary Guide: 74 options
- ◆ 4 Boosters / 4 timers
- ◆ 4 direct access controls including Boost
- ◆ 11 functions : Blanch, Boil, Boost, Clean lock, Automatic pan recognition, Elapsed time, ICS, Power management, Recall, Switch, Lock
- ◆ Total hob power of 7,400W
- ◆ 10 safety features including residual heat indicator on keypad and central locking
- ◆ Built-in dimensions: H 60 mm x W 650 mm x D 515 mm



DPI4420X | STELLAR STEEL



DPI4420B | INFINITE BLACK



DPI4420H | HERITAGE

LCD Screen:

Discover a new ergonomic and intuitive screen for perfect readability. The text display allows you to navigate and access more features, including the Culinary Guide, Boil, and Blanch functions.

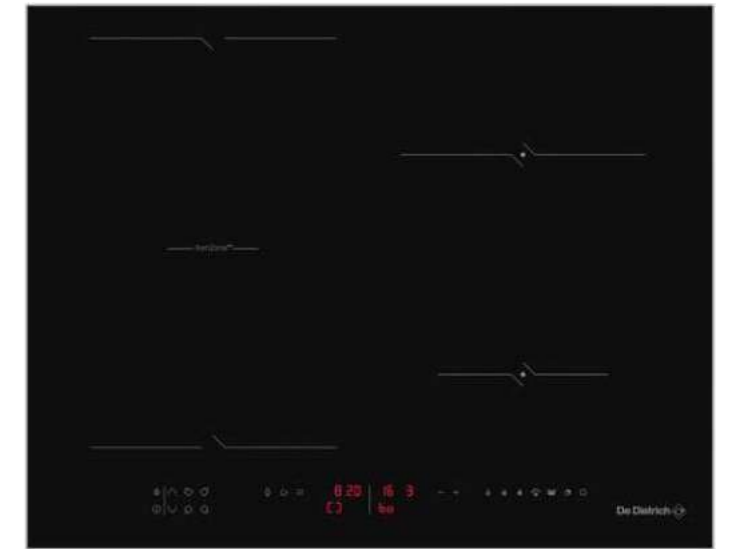


SEE USER MANUAL

65CM INDUCTION HOBS

DPI4411B INDUCTION HOB

- ◆ 4 independent zones including 1 horiZone cooking space of 40 cm x 23 cm of 3,700 W
 - Front right 16cm/2,400W
 - Rear right 23cm/3,700W
- ◆ Red led Screen
- ◆ Touch-sensitive buttons
- ◆ 20 cooking positions
- ◆ 4 Boosters / 4 timers
- ◆ 4 direct access controls including Boost
- ◆ 9 functions : Boil, Boost, Clean lock, Automatic pan recognition, ICS, Recall, Switch, Lock, Elapsed time
- ◆ Total hob power of 7,400W
- ◆ 10 safety features including residual heat indicator on keypad and central locking
- ◆ Built-in dimensions: H 60 mm x W 650 mm x D 515 mm



DPI4411B | BLACK



Clever functions:

ICS: Instant identification of the most appropriate cooking zone

Elapsed Time: Displays on the control panel the time elapsed since the last power adjustment of a cooking zone

Recall: Saves the settings (power and timer) of the cooking zone in case of an unexpected power cut

Boil: Brings 0.5 to 6 litres of water to a boil without overflow and without cooking adjustment



SEE USER MANUAL

65CM INDUCTION HOBS



DPI4410B | BLACK



DPI4410B INDUCTION HOB

- ◆ 4 independent zones including 1 duoZone cooking space of 18 cm x 37 cm of 3,700 W
 - Front right 16cm/2,000W
 - Rear right 23cm/3,100W
- ◆ Red led Screen
- ◆ Touch-sensitive buttons
- ◆ 20 cooking positions
- ◆ 4 Boosters / 4 timers
- ◆ 4 direct access controls including Boost
- ◆ 9 functions : Boil, Boost, Clean lock, Automatic pan recognition, ICS, Recall, Switch, Lock, Elapsed time
- ◆ Total hob power of 7,400W
- ◆ 10 safety features including residual heat indicator on keypad and central locking
- ◆ Built-in dimensions: H 60 mm x W 650 mm x D 515 mm

Clever functions:

ICS: Instant identification of the most appropriate cooking zone

Elapsed Time: Displays on the control panel the time elapsed since the last power adjustment of a cooking zone

Recall: Saves the settings (power and timer) of the cooking zone in case of an unexpected power cut

Boil: Brings 0.5 to 6 litres of water to a boil without overflow and without cooking adjustment



SEE USER MANUAL

65CM INDUCTION HOBS



DPI4400B | BLACK



DPI4400B INDUCTION HOB

- ◆ 4 independent zones including
 - Front left and rear left 18cm / 2,800W
 - Front right 16cm / 2,000W
 - Rear left 23 cm/ 3,100W
- ◆ Red led Screen
- ◆ Touch-sensitive buttons
- ◆ 15 cooking positions
- ◆ 4 Boosters / 4 timers
- ◆ 4 direct access controls including Boost
- ◆ 9 functions : Boil, Boost, Clean lock, Automatic pan recognition, ICS, Recall, Switch, Lock, Elapsed time
- ◆ Total hob power of 7,400W
- ◆ 10 safety features including residual heat indicator on keypad and central locking
- ◆ Built-in dimensions: H 60 mm x W 650 mm x D 515 mm



SEE USER MANUAL

65CM INDUCTION HOBS



DPI4332HP | HERITAGE



DPI4332HP AI TALENT

- ◆ 3 independent zones including 1 horiZone cooking space of 40 cm x 23 cm of 3,700 W
 - Center right 30cm/5,500W
- ◆ White LCD Screen
- ◆ Backlit buttons
- ◆ Backlight
- ◆ 20 cooking positions
- ◆ Ai Culinary Guide: 74 options
- ◆ 3 Boosters / 3 timers
- ◆ 4 direct access controls including Boost
- ◆ 11 functions : Blanch, Boil, Boost, Clean lock, Automatic pan recognition, ICS, Power management, Recall, Switch, Lock, Elapsed time
- ◆ Total hob power of 7,400W
- ◆ 10 safety features including residual heat indicator on keypad and central locking
- ◆ Built-in dimensions: H 60 mm x W 650 mm x D 515 mm



DPI4332BP | INFINITE BLACK

65CM INDUCTION HOBS



DPI4330B | INFINITE BLACK



DPI4330B AI TALENT

- ◆ 3 independent zones including 1 horiZone cooking space of 40 cm x 23 cm of 3,700 W
 - Center right 28cm/3,700W
- ◆ White LCD screen
- ◆ Touch-sensitive buttons
- ◆ 20 cooking positions
- ◆ Ai Culinary Guide: 74 options
- ◆ 3 Boosters / 3 timers
- ◆ 4 direct access controls including Boost
- ◆ 11 functions : Blanch, Boil, Boost, Clean lock, Automatic pan recognition, Elapsed time, ICS, Power management, Recall, Switch, Lock
- ◆ Total hob power of 7,400W
- ◆ 10 safety features including residual heat indicator on keypad and central locking
- ◆ Built-in dimensions: H 60 mm x W 650 mm x D 515 mm

Backlight Touch Controls:

A sleek design when the hob is off. The touch controls light up when the hob is switched on.



SEE USER MANUAL



SEE USER MANUAL

65CM INDUCTION HOBS



DPI4322XP | STELLAR STEEL



DPI4322XP AI TALENT

- ◆ 3 independent zones including
 - Front left 16cm / 2,400W
 - Rear left 23 cm/ 3,700W
 - Center right 30cm / 5,500W
- ◆ White LCD screen
- ◆ Touch-sensitive buttons
- ◆ 20 cooking positions
- ◆ Ai Culinary Guide: 74 options
- ◆ 3 Boosters / 3 timers
- ◆ 4 direct access controls including Boost
- ◆ 11 functions : Blanch, Boil, Boost, Clean lock, Automatic pan recognition, Elapsed time, ICS, Power management, Recall, Switch, Lock
- ◆ Total hob power of 7,400W
- ◆ 10 safety features including residual heat indicator on keypad and central locking
- ◆ Built-in dimensions: H 60 mm x W 650 mm x D 515 mm

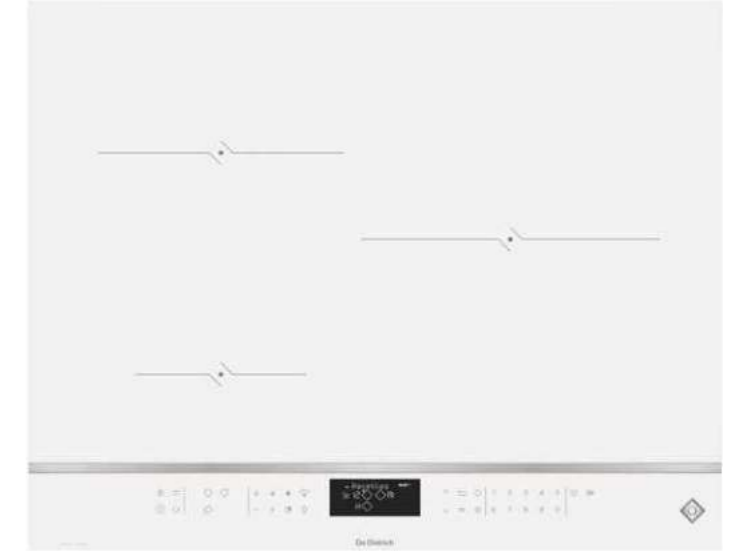
Tenor Inductor 5,500 W:

The most powerful and fastest double crown inductor on the market! Sear your meats to release their flavours and bring water to a boil at unprecedented speed (25% time savings compared to 4,600 W), with the same energy consumption.



SEE USER MANUAL

65CM INDUCTION HOBS



DPI4321W | ETERNAL WHITE



DPI4321W AI TALENT

- ◆ 3 independent zones including
 - Front left 16cm / 2,400W
 - Rear left 23 cm/ 3,700W
 - Center right 28cm / 4,600W
- ◆ White LCD screen
- ◆ Touch-sensitive buttons
- ◆ 20 cooking positions
- ◆ Ai Culinary Guide: 74 options
- ◆ 3 Boosters / 3 timers
- ◆ 4 direct access controls including Boost
- ◆ 11 functions : Blanch, Boil, Boost, Clean lock, Automatic pan recognition, Elapsed time, ICS, Power management, Recall, Switch, Lock
- ◆ Total hob power of 7,400W
- ◆ 10 safety features including residual heat indicator on keypad and central locking
- ◆ Built-in dimensions: H 60 mm x W 650 mm x D 515 mm

Clever functions:

ICS: Instant identification of the most appropriate cooking zone

Elapsed Time: Displays on the control panel the time elapsed since the last power adjustment of a cooking zone

Recall: Saves the settings (power and timer) of the cooking zone in case of an unexpected power cut

Boil: Brings 0.5 to 6 litres of water to a boil without overflow and without cooking adjustment



SEE USER MANUAL



DPI4321X | STELLAR STEEL

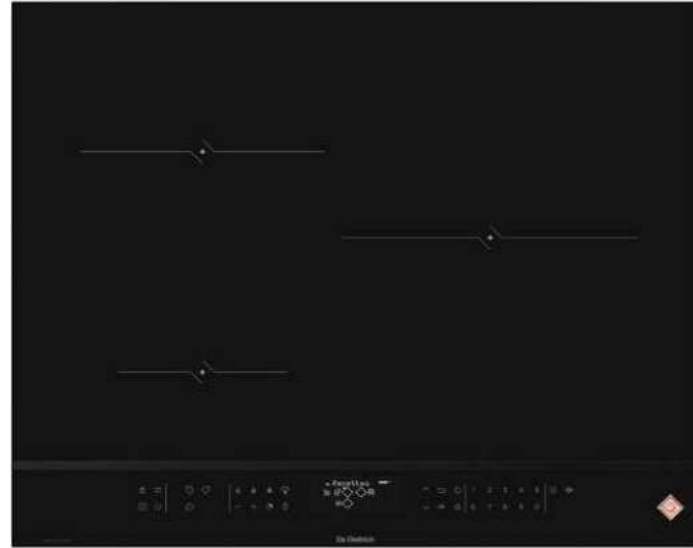


DPI4321B | INFINITE BLACK



DPI4321H | HERITAGE

65CM INDUCTION HOBS



DPI4320H | HERITAGE



DPI4320H AI TALENT

- ◆ 3 independent zones including
 - Front left 16cm / 2,400W
 - Rear left 23 cm/ 3,700W
 - Center right 28cm / 3,700W
- ◆ White LCD screen
- ◆ Touch-sensitive buttons
- ◆ 20 cooking positions
- ◆ Ai Culinary Guide: 74 options
- ◆ 3 Boosters / 3 timers
- ◆ 4 direct access controls including Boost
- ◆ 11 functions : Blanch, Boil, Boost, Clean lock, Automatic pan recognition, Elapsed time, ICS, Power management, Recall, Switch, Lock
- ◆ Total hob power of 7,400W
- ◆ 10 safety features including residual heat indicator on keypad and central locking
- ◆ Built-in dimensions: H 60 mm x W 650 mm x D 515 mm



DPI4320X | STELLAR STEEL



DPI4320B | INFINITE BLACK



SEE USER MANUAL

65CM INDUCTION HOBS

DPI4301BP INDUCTION HOB

- ◆ 3 independent zones including
 - Front left 16cm / 2,400W
 - Rear left 23 cm/ 3,700W
 - Center right 30cm / 5,500W
- ◆ Red led Screen
- ◆ Touch-sensitive buttons
- ◆ 20 cooking positions
- ◆ 3 Boosters / 3 timers
- ◆ 4 direct access controls including Boost
- ◆ 9 functions : Boil, Boost, Clean lock, Automatic pan recognition, Elapsed time, ICS, Recall, Switch, Lock
- ◆ Total hob power of 7,400W
- ◆ 10 safety features including residual heat indicator on keypad and central locking
- ◆ Built-in dimensions: H 60 mm x W 650 mm x D 515 mm



DPI4301BP | BLACK



SEE USER MANUAL

65CM INDUCTION HOBS



DPI4300B | BLACK



DPI4300B INDUCTION HOB

- ◆ 3 independent zones :
 - Front left 16cm / 2,400W
 - Rear left 23 cm/ 3,700W
 - Center right 28cm / 3,700W
- ◆ Red led Screen
- ◆ Touch-sensitive buttons
- ◆ 20 cooking positions
- ◆ 3 Boosters / 3 timers
- ◆ 4 direct access controls including Boost
- ◆ 9 functions : Boil, Boost, Clean lock, Automatic pan recognition, Elapsed time, ICS, Recall, Switch, Lock
- ◆ Total hob power of 7,400W
- ◆ 10 safety features including residual heat indicator on keypad and central locking
- ◆ Built-in dimensions: H 60 mm x W 650 mm x D 515 mm

Clever functions:

ICS: Instant identification of the most appropriate cooking zone

Elapsed Time: Displays on the control panel the time elapsed since the last power adjustment of a cooking zone

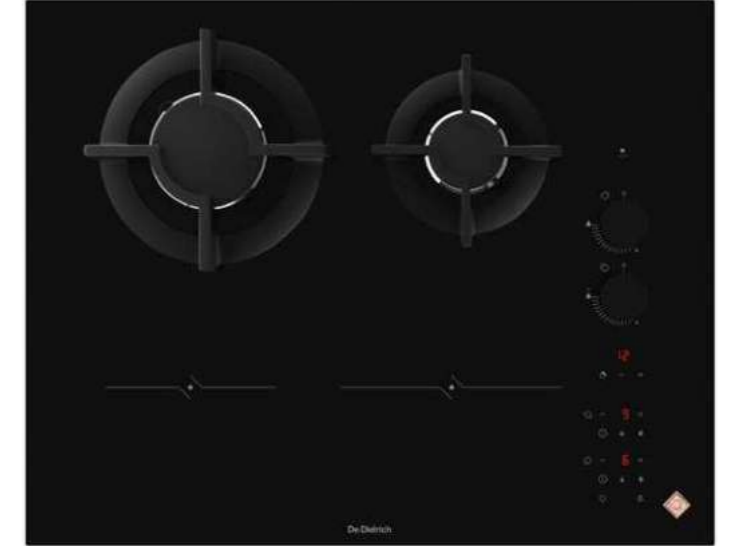
Recall: Saves the settings (power and timer) of the cooking zone in case of an unexpected power cut

Boil: Brings 0.5 to 6 litres of water to a boil without overflow and without cooking adjustment



SEE USER MANUAL

65CM GAS INDUCTION HOB



DPI4602HM | HERITAGE



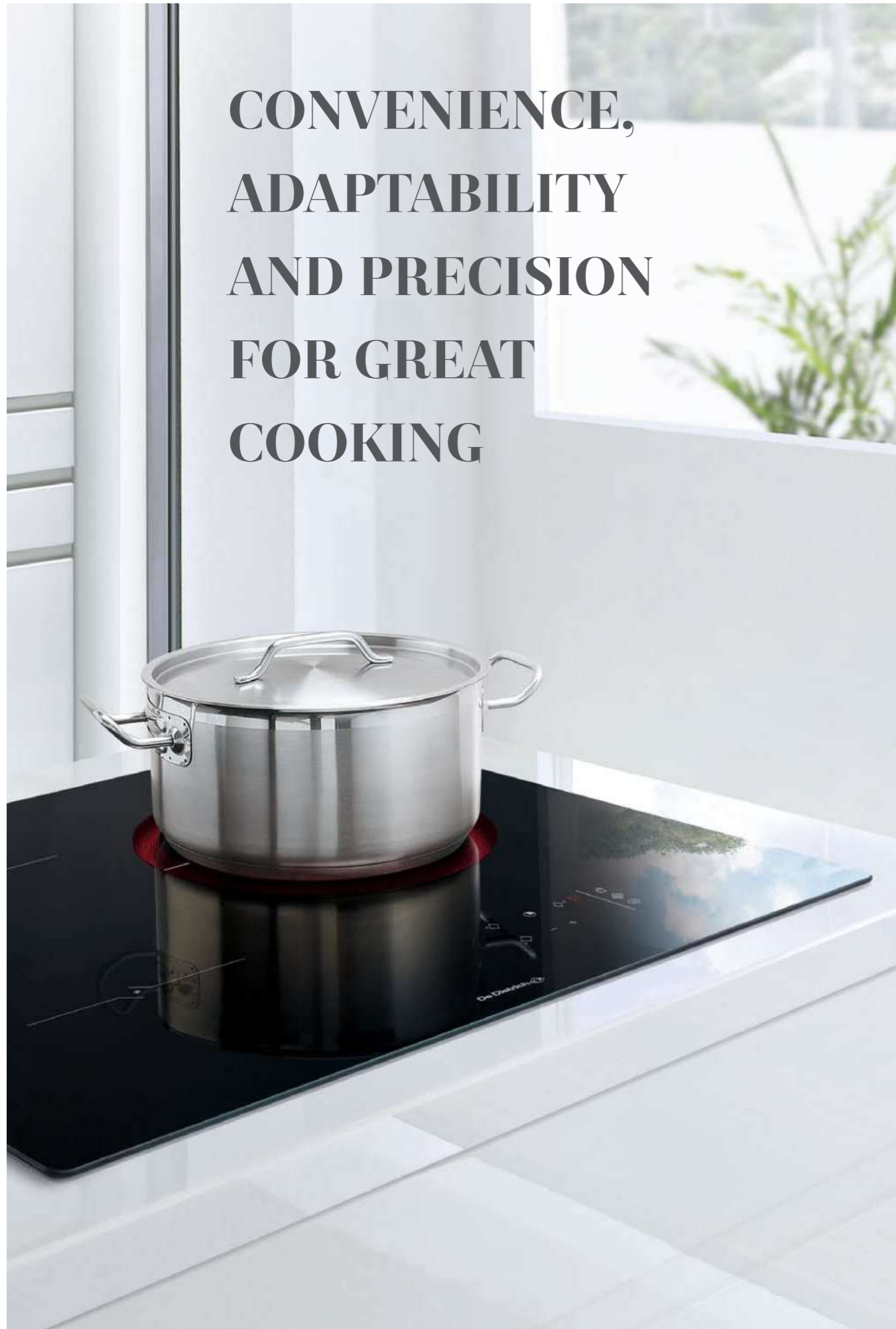
DPI4602HM GAS INDUCTION HOB

- ◆ 2 induction zones:
 - Front left 16cm / 2,200W
 - Front right 21cm / 3,100W
- ◆ Touch sensitive buttons
- ◆ 15 cooking positions
- ◆ 2 timers
- ◆ Electric power of 3,200W
- ◆ 2 gas burners:
 - Rear left very fast 10.6cm/3,100W
 - Rear right semi rapid 7.2cm/1,500W.
- ◆ Knobs
- ◆ Gas power of 4,600W
- ◆ 10 safety features including residual heat indicator on keypad and central locking
- ◆ Integrated ignition
- ◆ Thermocouple safety cut off (gas)
- ◆ Built-in dimensions: H 58 mm x W 555 mm x D 478 mm



SEE USER MANUAL

CONVENIENCE, ADAPTABILITY AND PRECISION FOR GREAT COOKING



VITROCERAMIC HOBS

The vitroc ceramic hobs brought to you by De Dietrich highlight a 65cm full glass surface finished with a stainless steel front frame. Their clean lines and sleek finishings combine elegance and sophistication with the ultimate functionalities, allowing you to realise your full culinary potential.



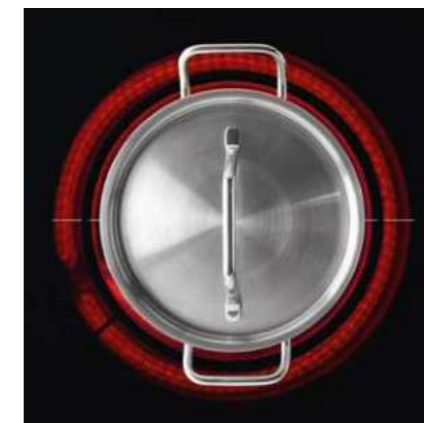
High-performance radiant zones.

Speedring Radiant Zones.

From the most intense cooking to the gentlest simmer, Speedring radiant zones ensure a constantly even distribution of heat, helping you to cook dishes that require long simmering, or bring large volumes of liquid rapidly up to the boil.

Extendible Speedring Radiant Zones.

The Double and Triple Crown extendible zones enable you to adjust their respective power levels to adapt to the size of the pan in use. This ensures that optimum heat is delivered for each type of cooking method.



VitroTech.

Gives more flexibility to your culinary interpretations.

De Dietrich has equipped the DPV4605HB hob with a new feature, for you to cook with a sense of moderation and efficiency: VitroTech allows you to combine two independent cooking zones to create a larger cooking surface for all types of containers, a fish pan or an oval casserole for instance. The heat is ideally distributed over the entire zone to ensure even cooking, and perfect culinary results.



Touch-sensitive commands for each cooking zone.

These remain visible and easy to read even when multiple dishes are being cooked at the same time, with all power and time indicators displayed at once. The 17 different cooking positions allow for a wide range of power adjustments, and making temperature selections is quick and easy thanks to two direct access keys. Finally, a separate electronic timer is provided for each zone for a greater degree of accuracy.

Safety: a De Dietrich guiding principle.

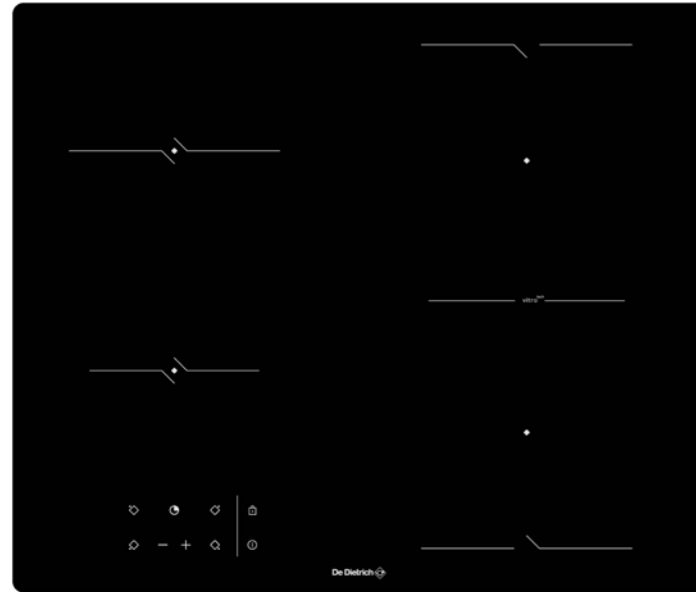
◆ **An Anti-Overspill safety feature** automatically turns the hob off in the event of any spillages.

◆ **An Automatic-Stop System** turns the hob off if you leave a dish alone for an extended period of time.

◆ **Residual Heat Indicators** are displayed while the surface temperature remains above 60°C.

◆ **A Keyboard Lock feature** prevents the hob being turned on accidentally, especially by children or while the cooking surface is being cleaned.

60CM VITROCERAMIC HOBS



DPV4605HB | BLACK



DPV4605HB VITROCERAMIC HOB

- ◆ 4 independent speedring zones with:
 - 1 flexible zone «Vitro Tech» (180mm x 415mm) of 4,000W
 - Rear Left 18cm / 1,800W
 - Front Left 14.5cm / 1,200W
 - Rear right 18cm / 1,800W
 - Front right 18cm / 1,800W
- ◆ Touch sensitive buttons
- ◆ 9 cooking positions
- ◆ 1 timer per zone
- ◆ Clean Lock function
- ◆ Total power of 7,000W
- ◆ 4 safety features including residual heat indicator on keypad and central locking
- ◆ Built-in dimensions: H 63 mm x W 600 mm x D 510 mm

VitroTech:

This revolutionary function, dependent on both zones, provides a larger cooking surface (180x415mm) to accommodate all types of cookware. It offers better heat distribution and ensures even cooking.

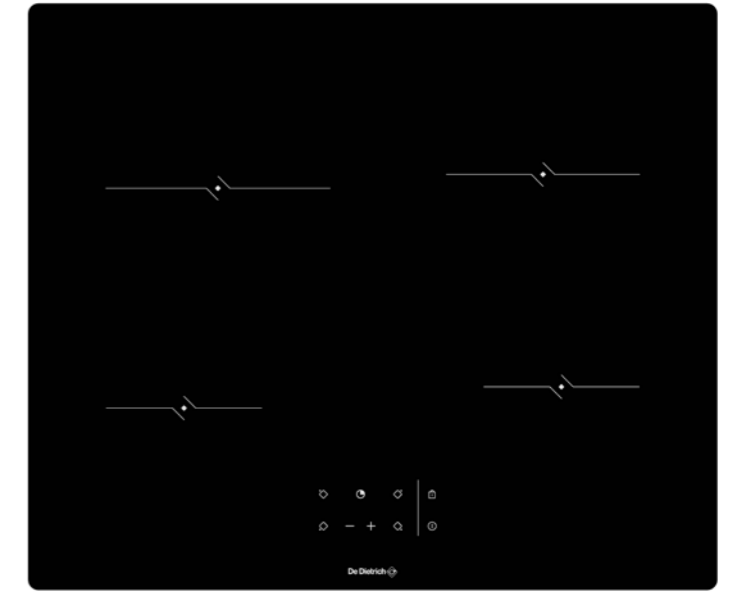


SEE USER MANUAL

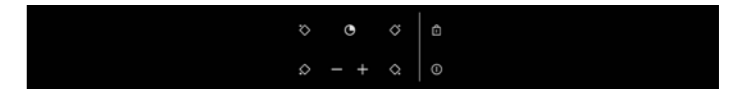
65CM VITROCERAMIC HOBS

DPV4601B VITROCERAMIC HOB

- ◆ 4 independent speedring zones with:
 - Rear Left 21cm / 2,100W
 - Front Left and front right 14.5cm / 1,200W
 - Rear right 18cm / 1,800W
- ◆ Touch sensitive buttons
- ◆ 9 cooking positions
- ◆ 1 timer per zone
- ◆ Clean Lock function
- ◆ Total power of 6,300W
- ◆ 4 safety features including residual heat indicator on keypad and central locking
- ◆ Built-in dimensions: H 55 mm x W 650 mm x D 552 mm

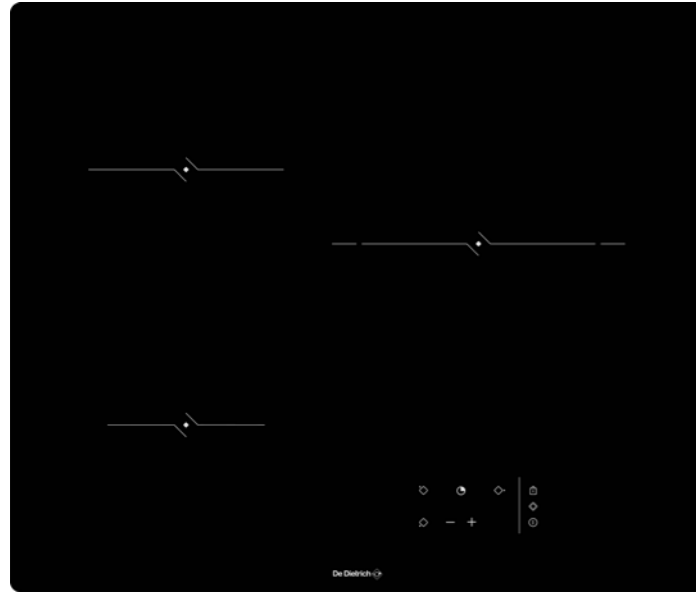


DPV4601B | BLACK

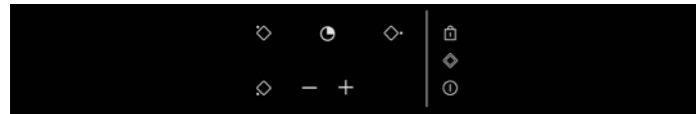


SEE USER MANUAL

65CM VITROCERAMIC HOBS



DPV4502B | BLACK



DPV4502B VITROCERAMIC HOB

- ◆ 3 independent speedring zones with:
 - Rear Left 18cm / 1,800W
 - Front Left 14.5cm / 1,200W
 - Center right 21-27cm / 1,500-2,400W
- ◆ Touch sensitive buttons
- ◆ 9 cooking positions
- ◆ 1 timer per zone
- ◆ Clean Lock function
- ◆ Total power of 5,400W
- ◆ 4 safety features including residual heat indicator - double ring on keypad and central locking
- ◆ Built-in dimensions: H 63 mm x W 650 mm x D 553 mm



SEE USER MANUAL

**THE LEVEL
EXPECTED
OF A TOP
QUALITY BRAND**



GAS ON GLASS, STAINLESS STEEL AND ENAMEL GAS HOBS

The collection of gas and mixed gas and electric hobs brought to you by De Dietrich reflects its commitment to offering excellence in its designs, giving you total control over the energy you use. The highest quality materials are combined with the utmost sophistication, contributing to both the stunning appearance and top-level functionality of all De Dietrich ovens and hoods.



A wide-ranging collection to suit everyone's tastes.

There is something to suit everyone's requirements in the most diverse collection designed by De Dietrich to date, with a wide variety of shades and sizes available. Available in 60cm, 65cm, 75cm and 90cm-wide models, all gas hobs are compatible with each other so that you can create the ideal cooking space you were dreaming of.

Stainless steel gas hobs. The elegance of flush integration.

Designed in a distinctly contemporary style, the De Dietrich collection of gas hobs embodies a tradition of excellence that encourages the perpetuation of culinary art with grace. The refined surface of some stainless steel hobs allows for seamless flush installation into the countertop, creating a cooking space that is both refined and functional.



Guaranteed performance.

The gas burners provided with De Dietrich hobs offer various cooking options and a wide range of heat settings. Leaving pans to simmer on the auxiliary burner or searing meats to perfection on the 3,800W Triple Crown burner are just two of the many ways that you can use them, with an even distribution of heat consistently ensured throughout the cooking process.

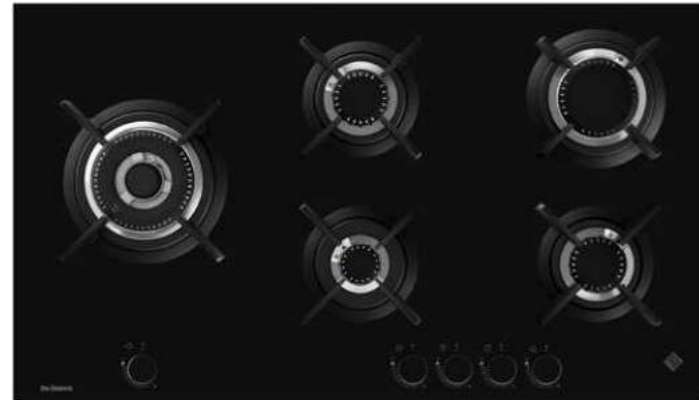
Gas cooking in complete safety across the entire collection.

A thermocouple safety system, located against the burner, is activated as soon as you press the knob to light the fire. If necessary, this thermocouple instantly and automatically cuts off the gas supply to prevent any leakage occurring should the flame accidentally be extinguished.

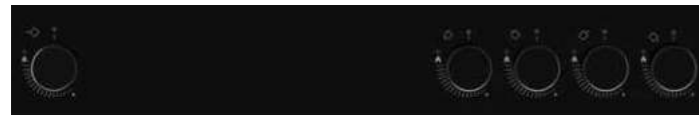
Ergonomically-designed knobs.

All knobs have been specially designed to offer the highest levels of ease and comfort during use. Adjusting the heat of the burners is an easy and accurate process.

90CM EXTRA-WIDE GAS ON GLASS HOB



DPG4950B | BLACK



DPG4950B GAS HOB

- ◆ 5 gas burners:
 - Left Double ring 15cm/4,000W
 - Front Center Auxiliary 7.4cm / 1,000W
 - Rear Right rapid 12.4cm/3,000W
 - Rear Center, Front right semi rapid 9.4cm/1,750W
- ◆ Knobs
- ◆ Total power of 11,500W
- ◆ Integrated ignition
- ◆ Cast-iron single-burner grates
- ◆ Thermocouple safety system
- ◆ Built-in dimensions: H 103 mm x W 890 mm x D 510 mm

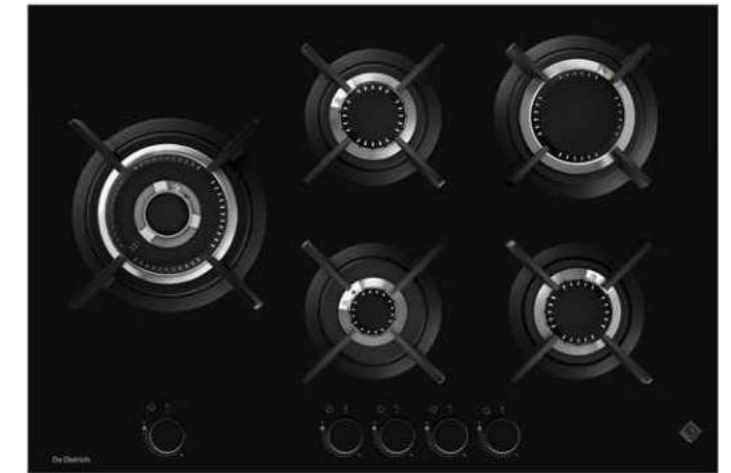


SEE USER MANUAL

75CM EXTRA-WIDE GAS ON GLASS HOB

DPG4750B GAS HOB

- ◆ 5 gas burners:
 - Left Double ring 15cm/4,000W
 - Front center Auxiliary 7.4cm / 1,000W
 - Rear Right rapid 12.4cm/3,000W
 - Rear Center, Front right semi rapid 9.4cm/1,750W
- ◆ Knobs
- ◆ Total power of 11,500W
- ◆ Integrated ignition
- ◆ Cast-iron single-burner grates
- ◆ Thermocouple safety system
- ◆ Built-in dimensions: H 103 mm x W 750 mm x D 510 mm

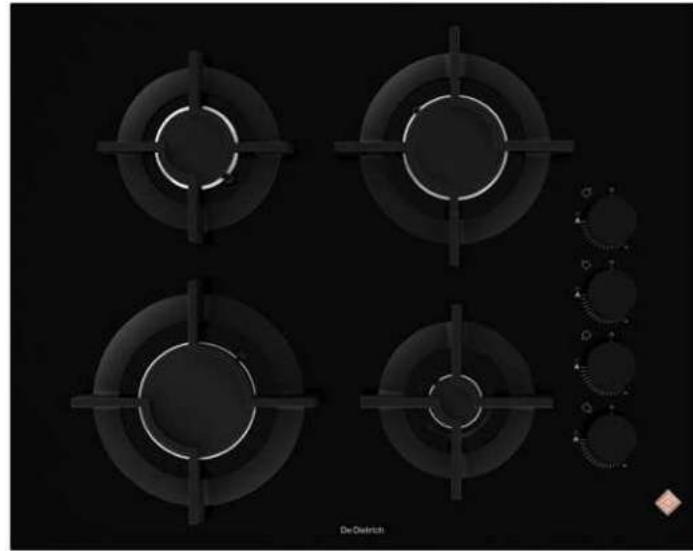


DPG4750B | BLACK



SEE USER MANUAL

65CM GAS ON GLASS HOBS



DPG4640H | BLACK



DPG4640H GAS HOB

- ◆ 4 gas burners:
 - Front Left Very fast 10.6cm/3,100W
 - Rear Left Semi-rapid 7.2cm/1,500W
 - Front Right Auxiliary 4.4cm/850W
 - Rear Right Rapid 9.3cm/2,250W
- ◆ Knobs
- ◆ Total power of 7,700W
- ◆ Integrated ignition
- ◆ Mat enamelled steel-burner grates
- ◆ Thermocouple safety system
- ◆ Built-in dimensions: H 51 mm x W 550 mm x D 470 mm

60CM GAS ON GLASS HOBS

DPG3620B GAS HOB

- ◆ 4 gas burners:
 - Rear Left Semi Rapid 6.8cm/1,750W
 - Rear Right Semi Rapid 6.8cm/1,750W
 - Front Right Auxiliary 4.7cm/1,000W
 - Front Left Rapid 9.3cm/3,000W
- ◆ Knobs
- ◆ Total power of 7,500W
- ◆ Integrated ignition
- ◆ Mat enamelled steel-burner grates
- ◆ Thermocouple safety system
- ◆ Built-in dimensions: H 117 mm x W 510 mm x D 600 mm



DPG3620B | BLACK

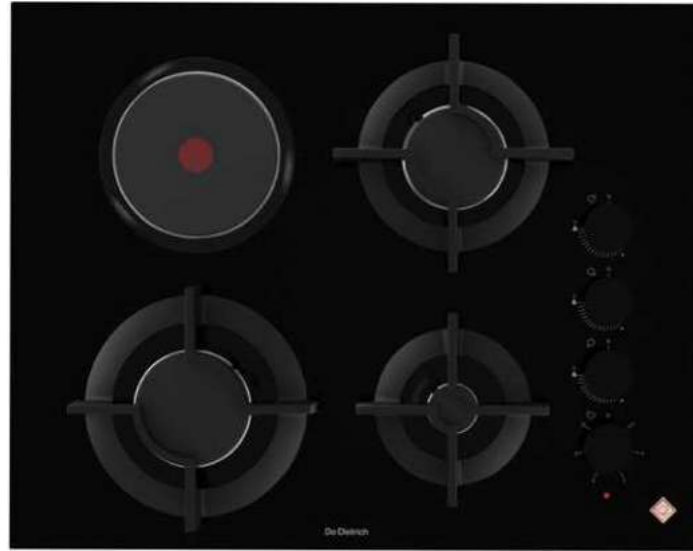


SEE USER MANUAL



SEE USER MANUAL

65CM GAS ELECTRIC ON GLASS HOB



DPG4640HM | BLACK

DPG4640HM GAS ELECTRIC HOB

- ◆ 1 electric zone
- ◆ Rear Left 14.5cm/1,500W
- ◆ Knobs
- ◆ Electric power of 1,500W
- ◆ 3 gas burners :
 - Front Left Very fast 10.6cm/3,100W
 - Front Right Auxiliary 4.4cm/850W
 - Rear Right Rapid 9.3cm/2,250W
- ◆ Knobs
- ◆ Gas power of 6,200W
- ◆ Thermocouple safety cut off (gas)
- ◆ Built-in dimensions: H 51 mm x W 550 mm x D 470 mm



SEE USER MANUAL

90CM INOX GAS HOB



DPE4929XF | BLACK



DPE4929XF GAS HOB

- ◆ 5 gas burners:
 - Left Double Ring 15cm/4,000W
 - Front center Auxiliary 7.4cm/1,000W
 - Rear center, Front Right 9.4cm/1,750W
 - Rear Right Rapid 12.4cm/3,000W
- ◆ Knobs
- ◆ Total power of 11,500W
- ◆ Integrated ignition
- ◆ Cast-iron single-burner grates
- ◆ Thermocouple safety system
- ◆ Flush integration
- ◆ Built-in dimensions: H 84 mm x W 860 mm x D 480 mm



SEE USER MANUAL

75CM INOX GAS HOB



DPE4729XF | BLACK



DPE4729XF GAS HOB

- ◆ 5 gas burners:
 - Left Double Ring 15cm/4,000W
 - Front center Auxiliary 7.4cm/1,000W
 - Rear center, Front Right 9.4cm/1,750W
 - Rear Right Rapid 12.4cm/3,000W
- ◆ Knobs
- ◆ Total power of 11,500W
- ◆ Integrated ignition
- ◆ Cast-iron single-burner grates
- ◆ Thermocouple safety system
- ◆ Flush integration
- ◆ Built-in dimensions: H 84 mm x W 720 mm x D 480 mm



SEE USER MANUAL

60CM INOX GAS HOB



DPE4620XF | BLACK



DPE4620XF GAS HOB

- ◆ 4 gas burners:
 - Front Left Rapid 9.5cm/3,000W
 - Rear Left, Rear Right Semi-rapid 7cm/1,750W
 - Front Right Auxiliary 5cm/1,000W
- ◆ Knobs
- ◆ Total power of 7,500W
- ◆ Integrated ignition
- ◆ Cast-iron single-burner grates
- ◆ Thermocouple safety system
- ◆ Flush integration
- ◆ Built-in dimensions: H 65 mm x W 560 mm x D 480 mm



SEE USER MANUAL

60CM ENAMEL GAS HOBS



DPE3601W | WHITE



DPE3601W GAS HOB

- ◆ 4 gas burners:
 - Rear left Rapid 9.5cm/3,000W
 - Rear right, Front right Semi-rapid 7cm/1,750W
 - Front left Auxiliary 5cm/1,000W
- ◆ Knobs
- ◆ Total power of 7,500W
- ◆ Integrated ignition
- ◆ Cast-iron single-burner grates
- ◆ Thermocouple safety system
- ◆ Built-in dimensions: H 50 mm x W 560 mm x D 480 mm



DPE3601B | BLACK



DPE3601X | INOX

Prestige:
With its cast iron grates, a material known for its excellence, this hob provides elegance and prestige.

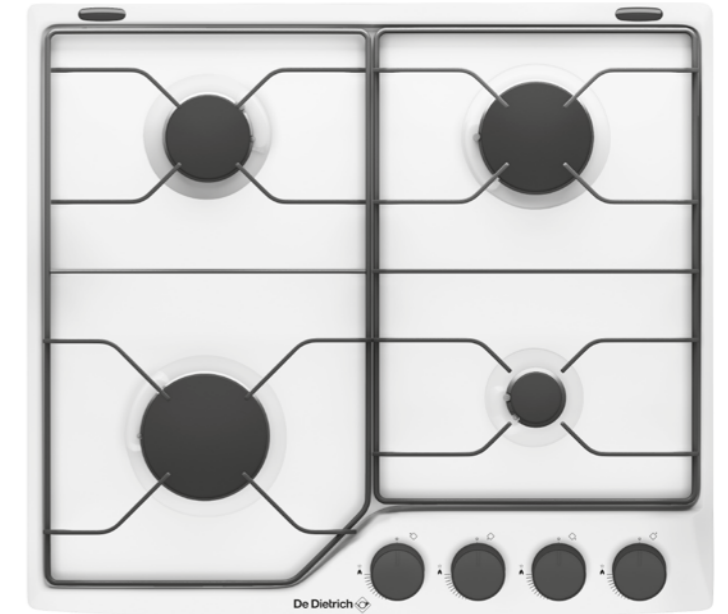


SEE USER MANUAL

60CM ENAMEL GAS HOBS

DPE4610W GAS HOB

- ◆ 4 gas burners:
 - Front Left Very fast 10.6cm/3,050W
 - Rear Left Semi-rapid 7.2cm/1,500W
 - Front Right Auxiliary 4.4cm/850W
 - Rear Right Rapid 9.3cm/2,350W
- ◆ Knobs
- ◆ Total power of 7,750W
- ◆ Integrated ignition
- ◆ Enamelled steel-burner grates
- ◆ Thermocouple safety system
- ◆ Built-in dimensions: H 34 mm x W 560 mm x D 480 mm



DPE4610W | WHITE



DPE4610B | BLACK

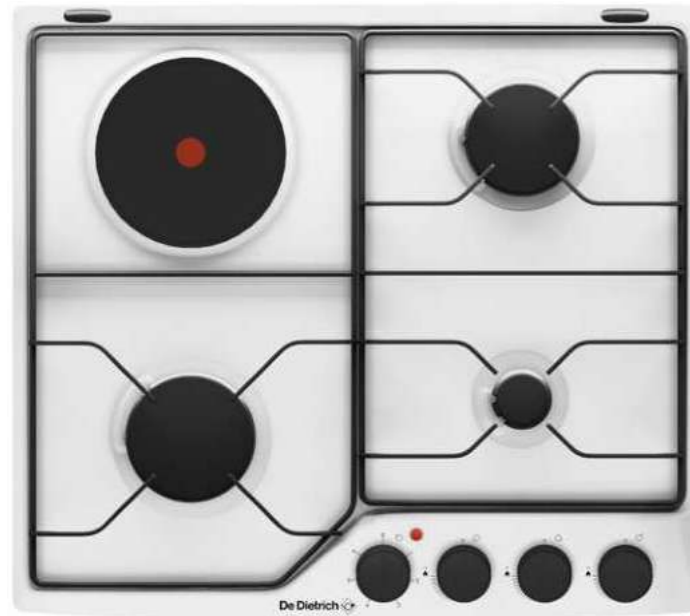


DPE4610X | INOX



SEE USER MANUAL

60CM ENAMEL GAS ELECTRIC HOBS



DPE4610WM GAS ELECTRIC HOB

- ◆ 1 electric zone
- ◆ Rear Left 14.5cm/1,500W
- ◆ Knobs
- ◆ Electric power of 1,500W

- ◆ 3 gas burners :
 - Front Left Very fast 10.6cm/3,050W
 - Front Right Auxiliary 4.4cm/850W
 - Rear Right Rapid 9.3cm/2,350W
- ◆ Knobs
- ◆ Gas power of 6,250W

- ◆ Thermocouple safety cut off (gas)
- ◆ Built-in dimensions: H 34 mm x W 560 mm x D 480 mm

DPE4610WM | WHITE



DPE4610BM | BLACK



DPE4610XM | INOX

Prestige:
With its cast iron grates, a material known for its excellence, this hob provides elegance and prestige.



SEE USER MANUAL

DOMINO HOBS

The range of domino hobs in the new De Dietrich collection is one of pure excellence, with each offering the utmost in sophistication and technical innovation. Combine them to create a cooking space that is both unique and original.



A collection of 38cm domino hobs with a unique design.

Just like the different instruments of an orchestra. Each one of the elements of the 38cm collection have their own part to play in creating a perfect ensemble. These appliances can be used either on their own or in conjunction with another. The design and dimensions of the 38cm horiZone Induction domino hobs, available in both gas on glass and Teppan yaki types, are a harmonious combination, and will fit beautifully into any set up, in any number of possible arrangements and combinations. They are also available in a classic 30cm size.

horiZone, a creative innovation from De Dietrich.

This cooking zone, already one of the largest and most powerful around, adds yet another dimension to the outstanding performance that is expected from an induction hob: freedom. This modular space enables you to work with one or two classic cooking zones at the front and back of the domino, as well as a wide single zone perfectly designed to accommodate large pans and dishes, all whilst guaranteeing a perfectly even distribution of heat.

Gas domino hobs. Expressing every talent.

Gleaming glass surfaces are crowned with single-burner cast-iron grills.

38CM INDUCTION DOMINO



DPI4230X | STELLAR STEEL



DPI4230X AI TALENT

- ◆ 2 independent zones with 1 horiZone cooking space 40cm x 23cm of 4,600W
- ◆ White LCD Screen
- ◆ Touch sensitives buttons
- ◆ 20 cooking positions
- ◆ Ai Culinary Guide: 74 options
- ◆ 2 Boosters / 2 timers
- ◆ 4 direct access controls including Boost
- ◆ 9 functions : Lock, Recall, ICS, Elapsed time, Automatic pan recognition, Clean lock, Boil, Boost, Blanch
- ◆ Total power of the hob 3,700W
- ◆ 10 safety features including residual heat indicator on keypad and central locking
- ◆ Built-in dimensions: H 53 mm x W 263 mm x D 488 mm

Ai talent:

The hob automatically adjusts the power and cooking time with precision based on your choice from 74 different foods. It recommends the ideal cooking zone and utensil to ensure exceptional results.



SEE USER MANUAL

38CM TEPPAN YAKI DOMINO



DPE4400X | INOX



DPE4400X TEPPAN YAKI DOMINO

- ◆ Adjustable thermostat from 0°C to 250°C
- ◆ Positions per knob
- ◆ Total power of 2,500W
- ◆ Power and residual heat indicator on keypad
- ◆ Built-in dimensions: H 80 mm x W 490 mm x D 340 mm



SEE USER MANUAL



DPI4220H | HERITAGE



DPI4220H AI TALENT

- ◆ 2 independent zones :
 - Front 16cm/2,400W
 - Rear 23cm/3,700W
- ◆ White LCD Screen
- ◆ Touch control

- ◆ 20 cooking positions
- ◆ Ai Culinary Guide: 74 options
- ◆ 2 Boosters / 2 timers
- ◆ 4 direct access controls including Boost
- ◆ 8 functions : Blanch, Boil, Clean lock, Automatic pan recognition, Elapsed time, ICS, Recall, Lock

- ◆ Total power of the hob 3,700W
- ◆ 10 safety features including residual heat indicator on keypad and central locking
- ◆ Built-in dimensions: H 56 mm x W 263 mm x D 488 mm

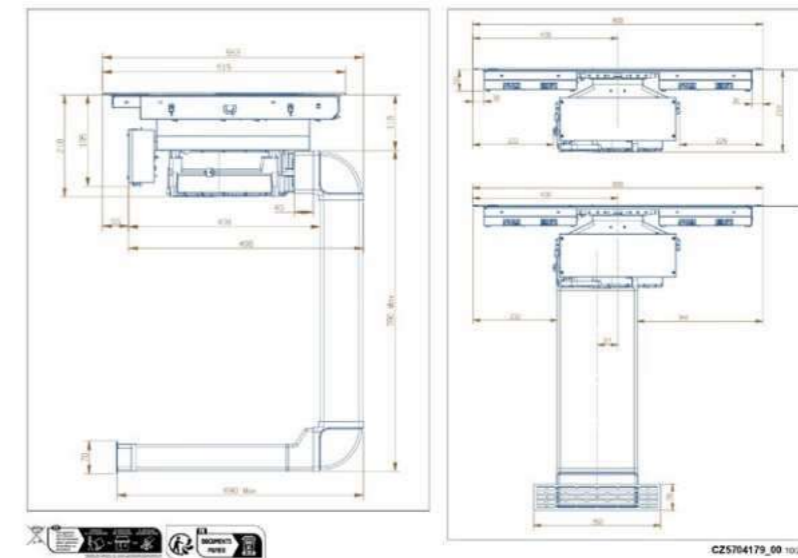
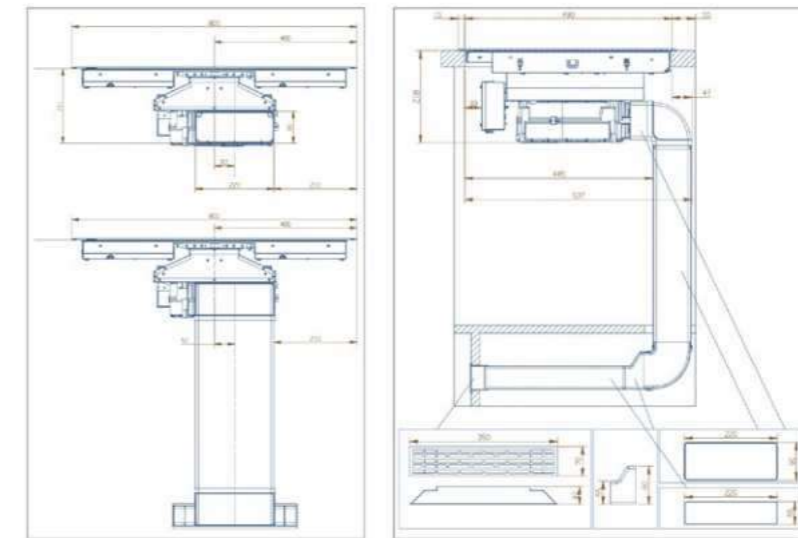
Boil function:

Allows boiling from 0.5 L to 6 L of water without the risk of overflow and without requiring adjustments to cooking settings (time and power). The hob takes care of it for you. Simply define the quantity of water and confirm.



SEE USER MANUAL

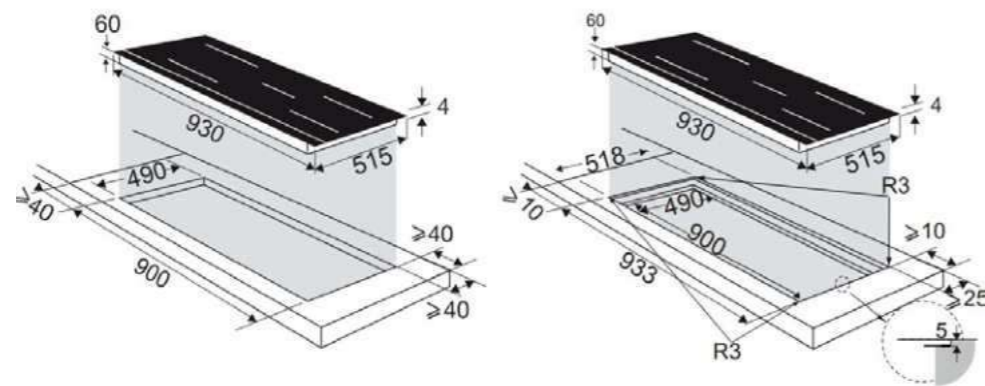
80 CM INDUCTION HOB WITH EXTRACTOR DPI4831BH / DPH4840BT / DPH4840B / DPI480BH / DPI2847BH



INDUCTION HOB DIAGRAMS

93CM INDUCTION HOBS

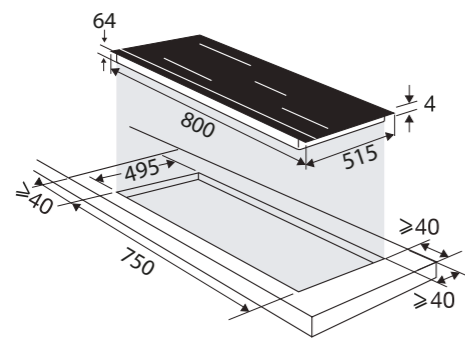
DPI595ABT / DPI595AB / DPI4942B / DPI4932BP



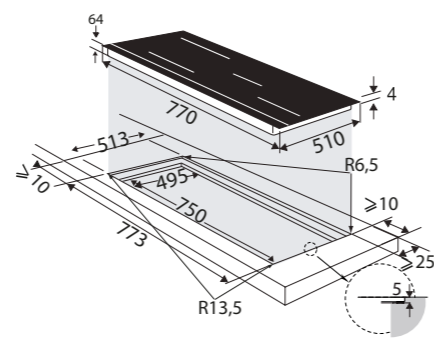
80CM INDUCTION HOBS

DPI4831BT / DPI4832B / DPI4830B / DPI4820X / DPI4810B

Encastrement sur plan table 800



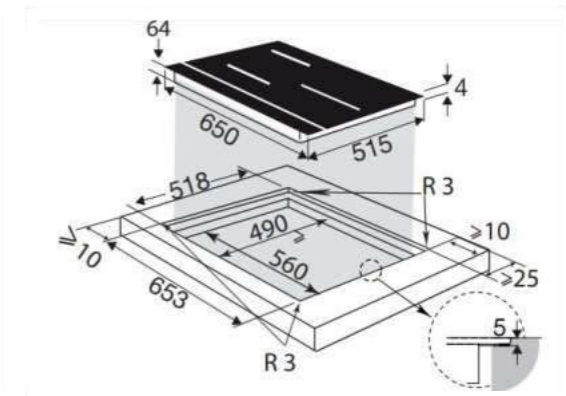
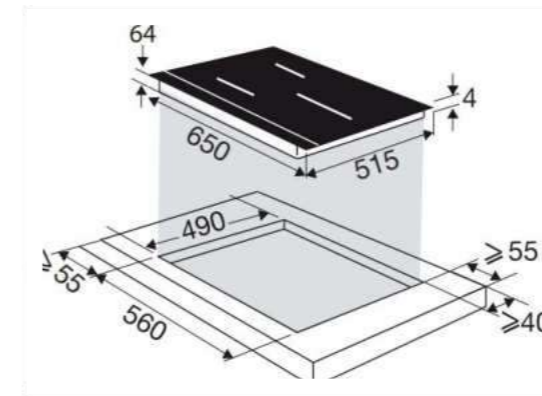
Encastrement à fleur table 800



INDUCTION HOB DIAGRAMS

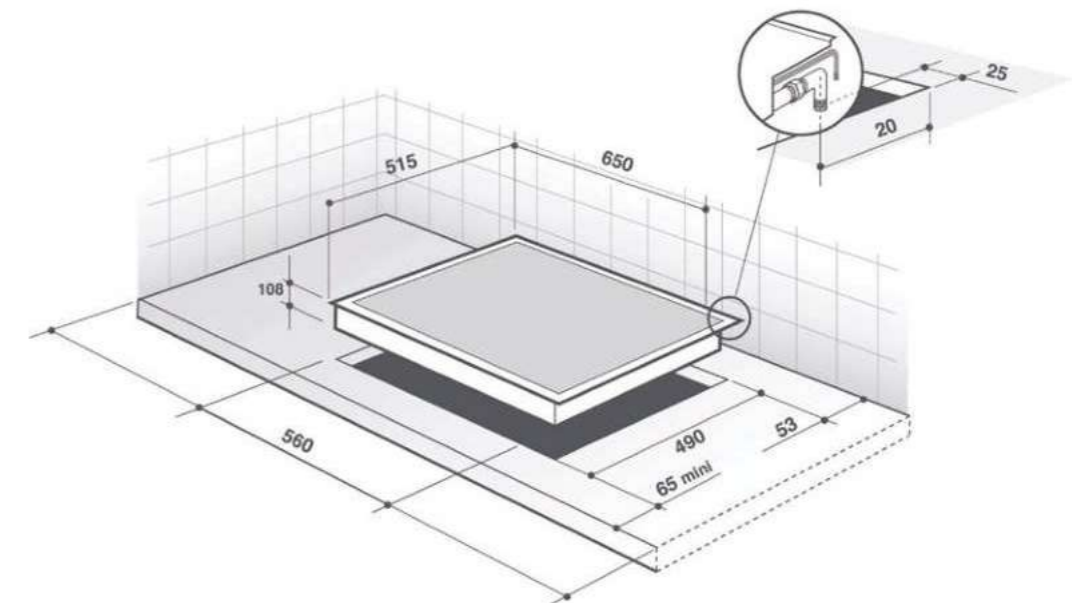
65CM INDUCTION HOBS

DPI4451GT / DPI4441BT // DPI4470G / DPI5652AB / DPI5650AB / DPI4450G /
DPI4442B / DPI4432B / DPI4431 / DPI4431BT/XT / DPI4420 / DPI4411 / DPI4410 /
DPI4400 / DPI4332 / DPI4330B / DPI4322 / DPI4321 / DPI4320 / DPI4320XT/BT /
DPI4301BP / DPI4300B

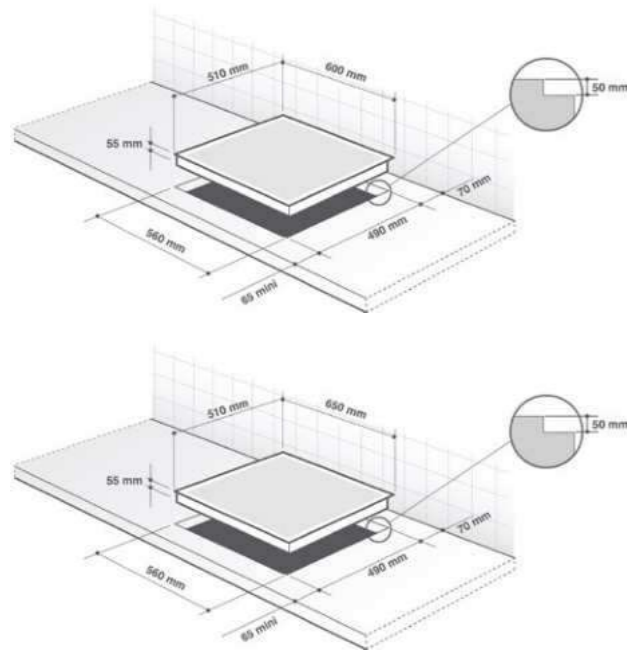


65 CM MIX INDUCTION HOB

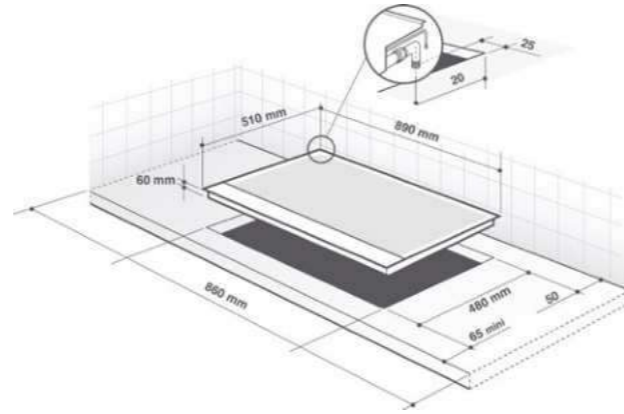
DPI4602HM



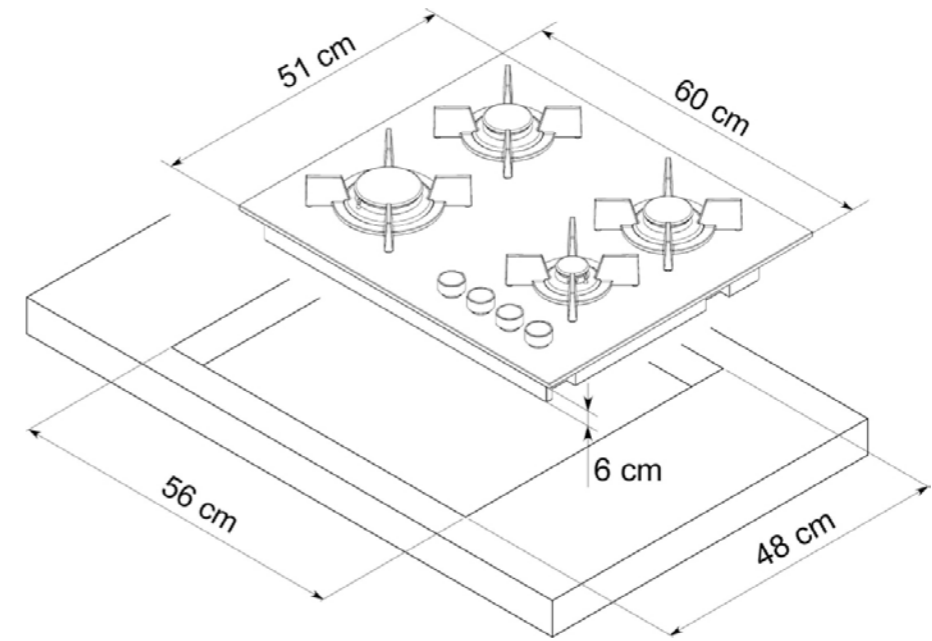
VITROCERAMIC HOBS
DPV4605HB / DPV4601B / DPV4502B



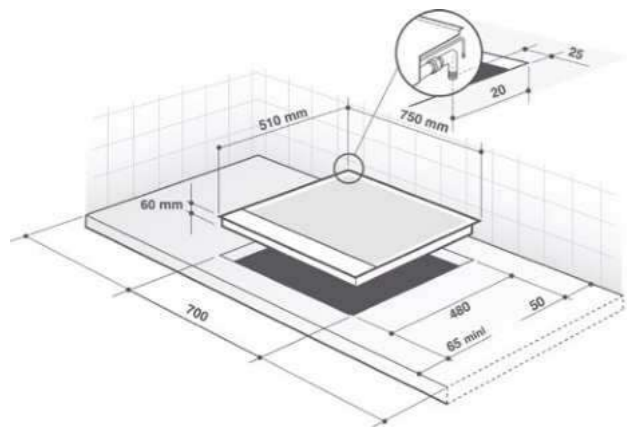
90 CM GAS ON GLASS HOB
DPG4950B



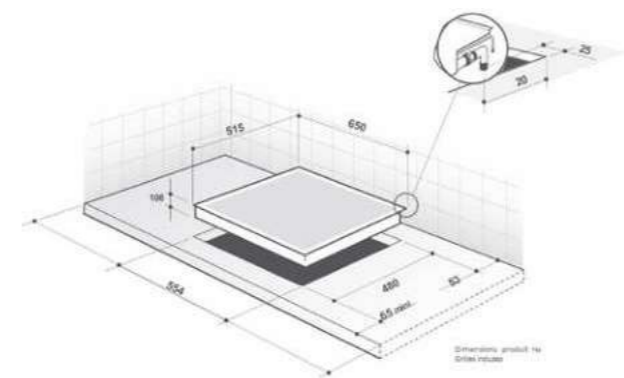
65 & 60 CM GAS ON GLASS HOBS
DPG4549H / DPG3620B / DPG4729B / DPG4620B



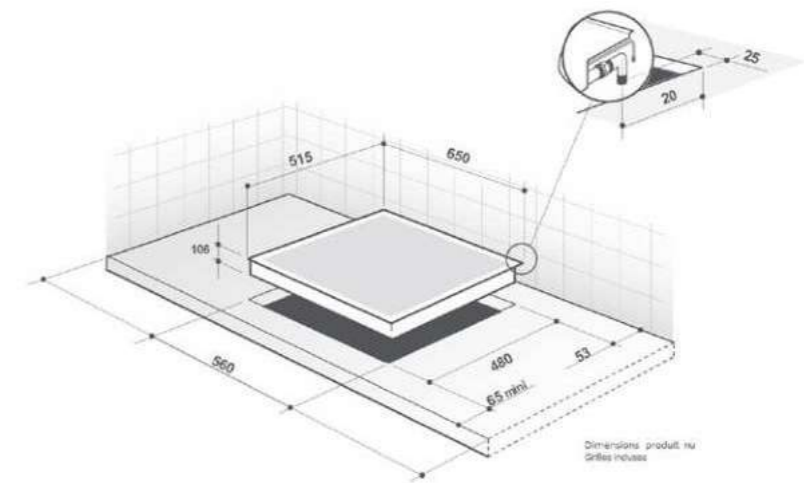
75 CM GAS ON GLASS HOB
DPG4750B



65 CM GAS ON GLASS HOB
DPG4640H

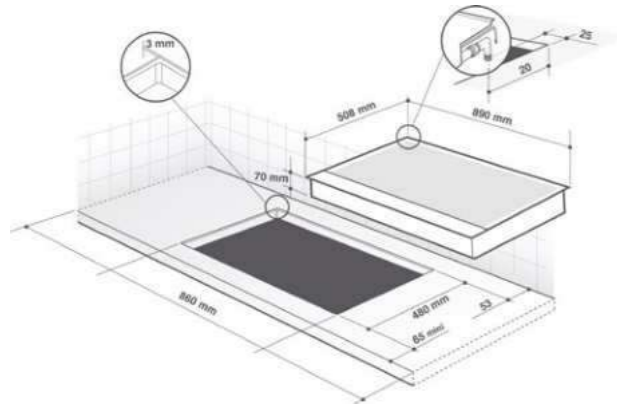


60 CM GAS ELECTRIC ON GLASS HOB
DPG4640HM

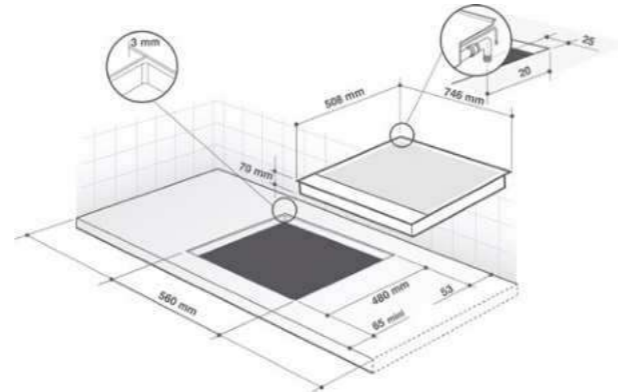


GAS HOB DIAGRAMS

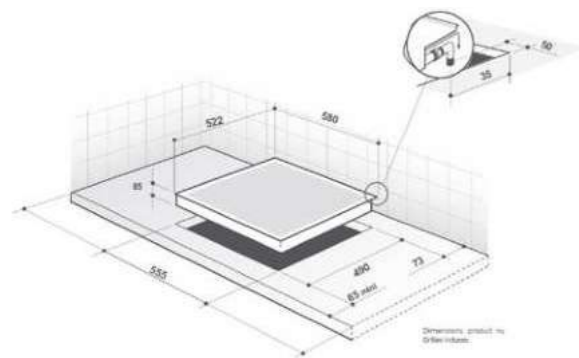
90 CM GAS HOB
DPE4929XF



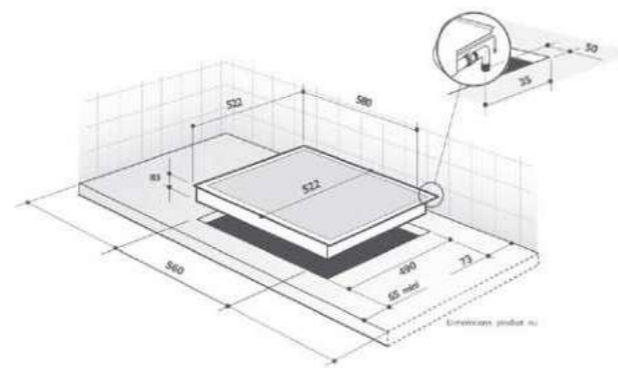
75 CM GAS HOB
DPE4729XF



60 CM GAS HOBS
DPE4620XF / DPE4610W/B/X /
DPE3601X/B/W

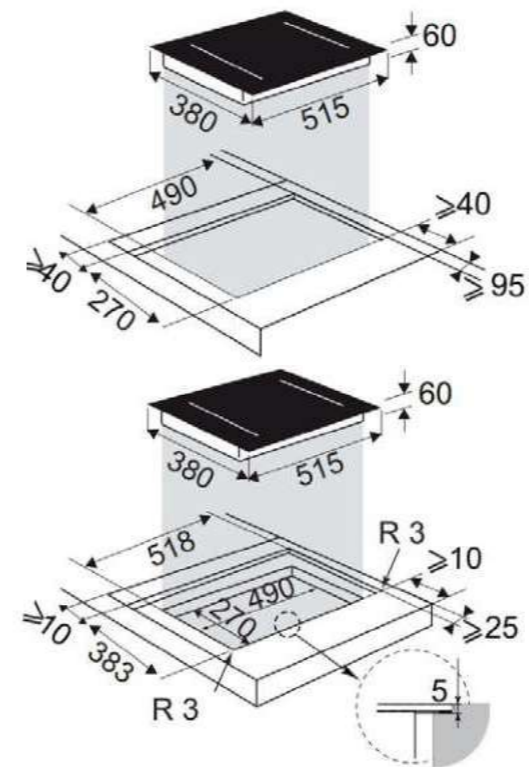


60 CM GAS ELECTRIC HOBS
DPE4610WM/BM/XM

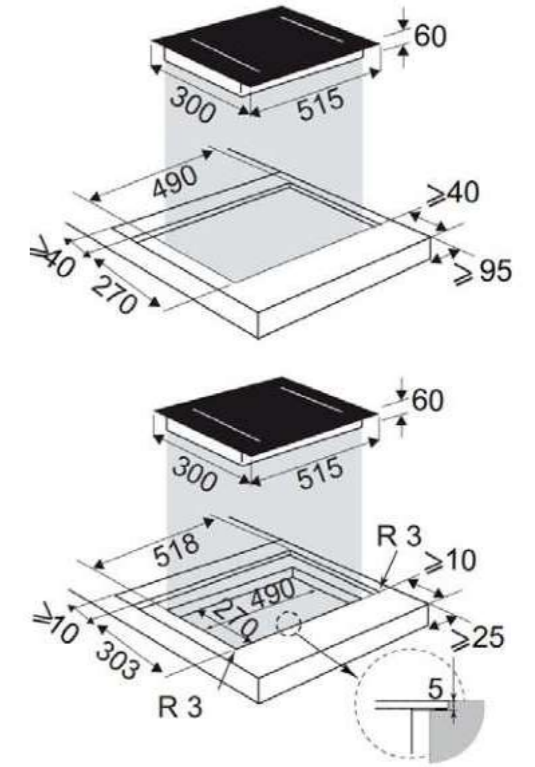


DOMINO DIAGRAMS

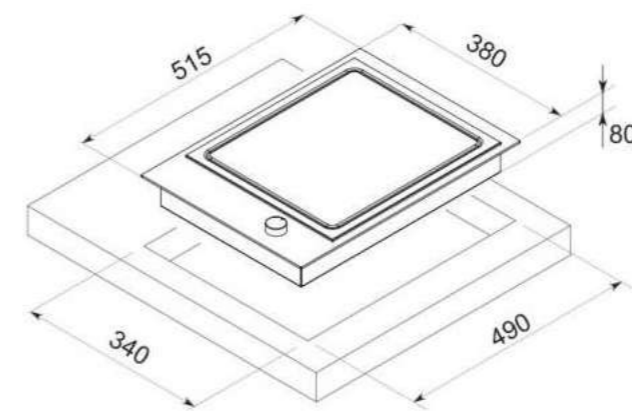
38 CM INDUCTION & GAS DOMINO
DPI4230X / DPI4230HT / DPG4312B



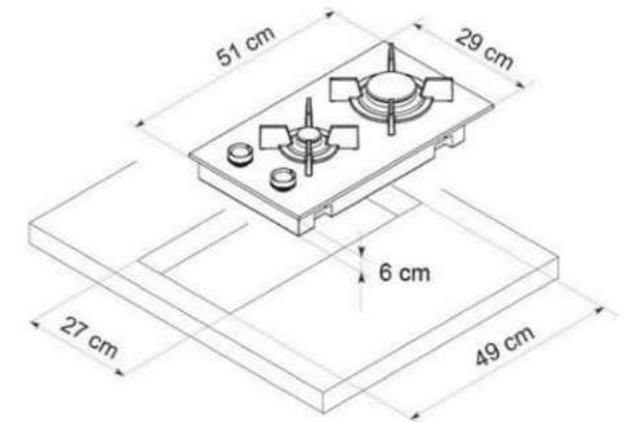
30 CM INDUCTION DOMINO
DPI4220H



38 CM TEPPAN YAKI DOMINO
DPE4400X



30 CM GAS DOMINO
DPG4340H



HOODS

140 • Hoods

146 • Motion Control Hoods

150 • Auto Link Hoods

153 • Vertical Hoods with Plasma filter

154 • Vertical Hoods with Hepa filter

155 • Vertical Hoods

157 • Downdraft Hoods

159 • Box Hoods

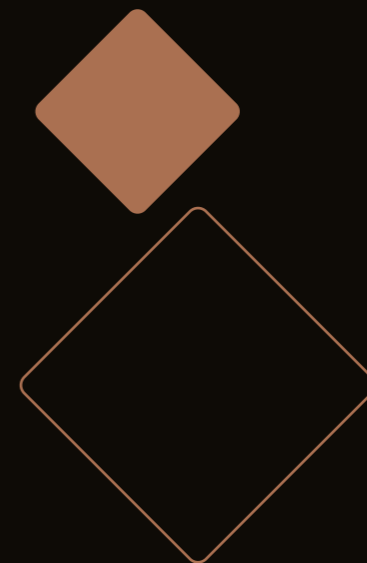
164 • Island Box Hood

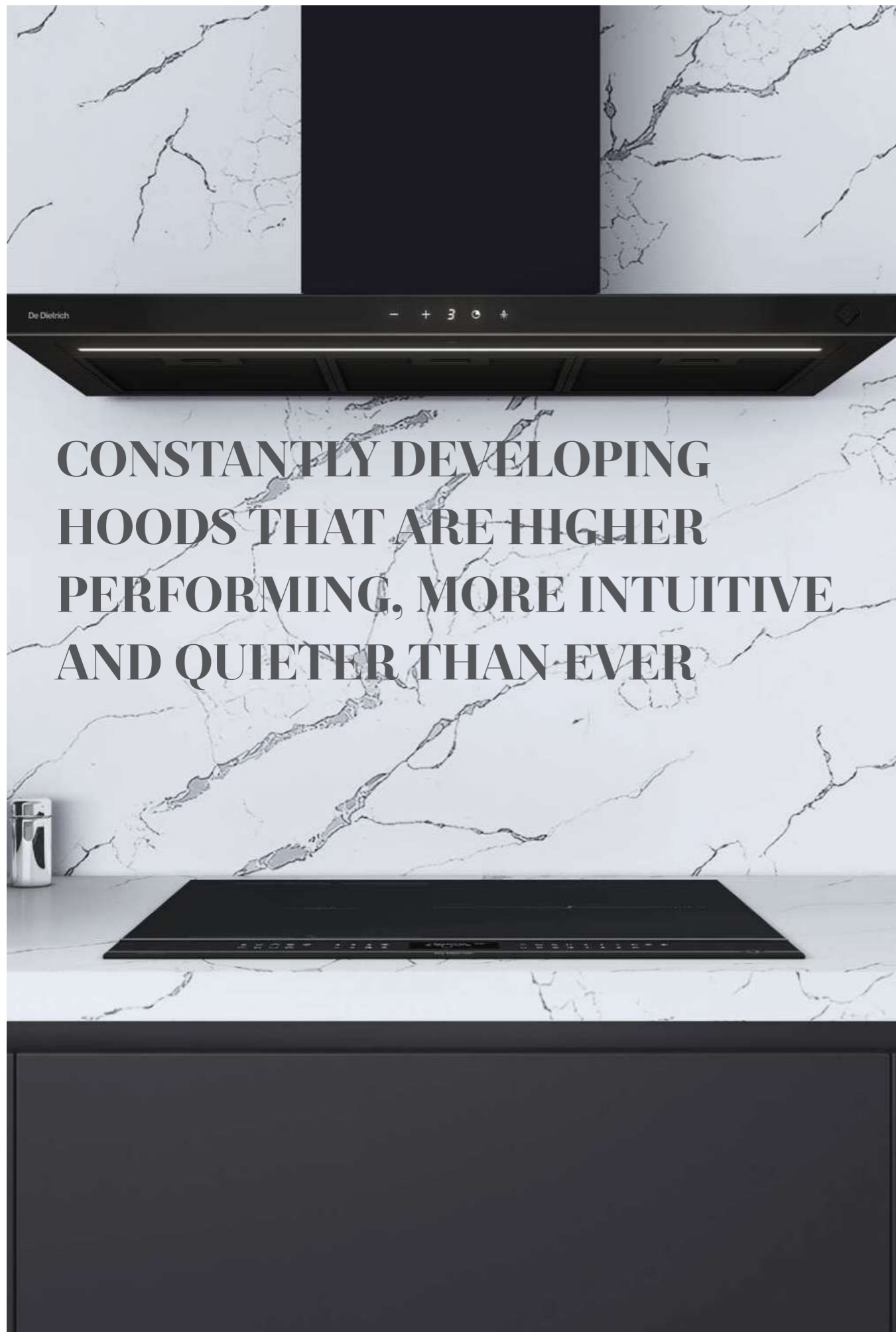
165 • Ceiling Hood

166 • Pyramid Hood

167 • Telescopic Hoods

169 • Canopy Hood





**CONSTANTLY DEVELOPING
HOODS THAT ARE HIGHER
PERFORMING, MORE INTUITIVE
AND QUIETER THAN EVER**

HOODS

Developed and designed to fit with elegance, strength and discretion into the contemporary kitchen trend, this new collection dedicated to suction is like no other.

Decorative, island, worktop or ceiling hoods, filtering units... At the cutting edge of technology, they adopt the highly aesthetic approach of Philharmonie ovens and hobs to create the ultimate prestige ensemble.



A+ rated box decorative hood. Top-class performance.

De Dietrich engineers have achieved major technological success in this sophisticated new collection of decorative hoods. Recognised as having an A+ energy rating, they offer the best possible performance both in terms of energy savings and efficiency.

This excellent perfectly engineered design that combines the efficiency of three stainless steel filters with a highly effective motor and LED lighting: two key elements for significantly limiting noise levels and energy consumption.



Motion Control. Masterful contactless suction.

Touching the controls of your hood when you are preparing food is bound to get messy. How about avoiding this by controlling suction with a simple wave of the hand? Contactless Motion Control technology means you can interact with our hood without touching it. A sensor detects and interprets the movement of your hand and the three little gestures to be made to modulate the lighting intensity and the suction power according to the needs of your preparations in progress.

A technological achievement by De Dietrich designed to enhance the pure lines of its appliances and give free rein to your culinary imagination without spending more time than necessary on cleaning.



Autolink. Hood and hob in perfect harmony:

If you want to live your passion even more intensely, imagine a hood whose suction can be tuned to your culinary renditions, without you even thinking about it...

This is the daring achievement of Autolink technology: the suction system and hood lighting are activated spontaneously as soon as the induction hob is switched on, via a simple infrared link. It adjusts its suction speed in total autonomy according to the programmed power of the cooking in progress, then it switches off automatically once the cooking is finished.

So all you have to do is focus on your culinary preparations with all due attention.



Power equalling efficiency.

A place where everything comes together, the kitchen now breaks down barriers to open up to the dining room, living room and lounge. With capacities of up to 740m³/h, De Dietrich extractor hoods is part of this metamorphosis, ensuring efficient, regular renewal of ambient air in larger spaces.

Sensor technology. An automatic hood, a virtuoso soloist!

To ensure the right suction power for the dish you are preparing, rely on your hood. Equipped with intelligent sensors, it switches on autonomously as soon as it detects heat and steam coming from the preparations in progress, and its speed adapts automatically to cooking intensity. It will stop working once the smoke has been expelled.

A carefully thought-out design, and top-quality manufacturing.

De Dietrich has developed a collection of hoods that combine design, technology and functionality to the same high standard. From the moment they are installed and for the rest of their lives, thanks to a cleverly designed fixing and adjustment system.

LED lighting. To highlight your well-being.

De Dietrich has decided to fit its entire collection with this unique type of lighting, which uses almost 85% less electricity and lasts 20 times longer than an incandescent bulb. Designed with elegance and with the aim of combining refinement and functionality, your De Dietrich hood is adorned with long integrated light strips. They will focus soft and powerful brightness on all your preparations in progress as well as ideal lighting when enjoying the meal.

A subtle interpretation of comfort by De Dietrich.

◆ **Light intensity dimmer.**
Enhancing its primary function, your cooker hood features a dimmer switch that allows you to personalise and perfect your kitchen lighting by simply flicking the command knobs.

◆ **Ambient lighting.**
Warm colour or subdued atmosphere, neutral ambience, white light or daylight... the five levels of intensity available will help you modulate the ambient brightness to suit your needs and desires, with nuances and refinement.



Hood with Plasma Filter. Maximum efficiency, absolute comfort.

De Dietrich's renewed challenge is to contribute to your well-being day after day, year after year, so as to achieve excellence. This new collection of Plasma hoods, installed in recycling mode, requires very little attention to achieve their full effectiveness. The exceptional properties of the plasma filter and its unlimited lifespan (unlike the carbon filter) make it possible to reduce its environmental impact. Self-cleaning and long-lasting, it is composed of ions and activated carbon: a unique design which promotes suction and complete elimination of bad smells and airborne bacteria... so that all you get back is the delicious aroma of your dishes, to the delight of your senses.



Hood with HEPA Filter. Feel the clean air all day, every day.

To ensure that your kitchen remains a real living space, for sharing and enjoying, De Dietrich has enhanced its range hoods with an ingenious air purifier. As soon as you feel the need to clean your kitchen, simply switch it on and the level of ambient air quality detected will be displayed on the control screen. Thanks to the HEPA filter, air will be regenerated, cleaned from the tiniest suspended particles (bacteria, dust and allergens, etc.). It will also protect the hood and its ducts from grease deposits and other dirt so as to optimize performance and minimize maintenance.

Filter units. Power with style.

De Dietrich has developed new filter units inspired by the professional world. Their motor's ergonomics and power provide maximum suction efficiency. Odours, fats and vapours released during cooking are directed to the filters by a natural vacuum effect and will be eliminated once and for all. Although demonstrating remarkable efficiency, they are discreet and operate with utmost silence. In fact, they are integrated into a tall piece of furniture out of sight.



Worktop hood. Suction and cooking perfectly in tune.

This object of luxury and elegance arouses rare emotions. Its innovative design provokes astonishment and admiration. Its distinctive feature is that it sits right next to the hob, revealing only a subtle, flat space made of deep black glass.

Telescopic hoods. The utmost discretion.

The special feature of the telescopic hood is that it disappears under a wall cabinet, leaving nothing to show about its functional attributes. Its new self-compensating closing system ensures smooth, seamless operation..



**Unrivalled technological mastery
in an exceptional minimalistic design**

Design and technology come together in the programming of our extractor hoods.

The new collection is testament to this: the elegant glass facade and copper-clad controller contribute to the stunning appearance of our new Black Heritage, Black Infinite, Inox Stellaire, ovens. Inspired by the innovations made to our De Dietrich ovens, hobs and dishwashers, various features are now available on many of the hoods in our collection.

◆ **Boost function.**

When selected, this feature immediately sets the hood to work at maximum extraction speed for even greater efficiency when large amounts of odours and fumes are present.

◆ **Remote Control.**

Direct suction even from a distance! Your hood's remote control features a very practical function, allowing you to switch it on, modulate its suction power or adjust its lighting intensity. The perfect way to give free rein to your conversations and dinners with friends.

◆ **Timer Function.**

The purpose of this function is to remove fumes once and for all, and to rid the air of persistent fumes and fumes at the end of cooking. Your hood will continue to operate for the duration you have set, between ten and ninety minutes, to fully purify the air in the room.

**Hoods with Brushless motor.
Better efficiency.
Better performance.**

Requiring your hood to have both more character and style and more efficiency with the greatest discretion is no longer impossible.

Quiet and more robust, the Brushless motor it features offers the best efficiency in terms of suction performance and energy consumption. In this transformation of the cooking area more than ever dedicated to culinary arts, these exceptional qualities are now essential to the new De Dietrich art of living.

**DHV4984B
VERTICAL HOOD 90 CM**

- ◆ Backlit electronic controls
- ◆ Energy labelling : A+
- ◆ On/Off, Boost, Delayed stop, Light

- ◆ Maximum airflow of 555m³/h
- ◆ Sound level (Standard re1 pW/DIN/EN 60704-2-13)
Mini: 42dB(A), maxi: 64dB(A)
- ◆ Brushless motor
- ◆ 4 power levels including Boost
- ◆ Timer
- ◆ Mood lighting

- ◆ 1 LED strip, 8W
- ◆ 2 dishwasher safe aluminium grease filters
- ◆ Carbon filter FWND-185

- ◆ Installation for use in recycling mode



DHV4984B | BLACK



SEE USER MANUAL

MOTION CONTROL HOODS



DHV4684B | BLACK

DHV4684B VERTICAL HOOD 60 CM

- ◆ Backlit electronic controls
- ◆ Energy labelling : A+
- ◆ On/Off, Boost, Delayed stop, Light
- ◆ Maximum airflow of 555m³/h
- ◆ Sound level (Standard re1 pW/DIN/EN 60704-2-13)
Mini: 41dB(A), maxi: 63dB(A)
- ◆ Brushless motor
- ◆ 4 power levels including Boost
- ◆ Timer
- ◆ Mood lighting
- ◆ 1 LED strip, 8W
- ◆ 1 dishwasher safe aluminium grease filter
- ◆ Carbon filter FWND-185
- ◆ Installation for use in recycling mode

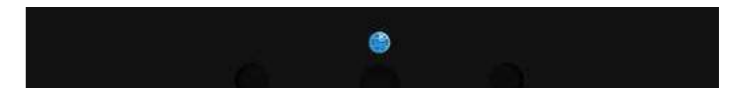


SEE USER MANUAL

MOTION CONTROL HOODS



DHB4984B | BLACK



DHB4984B BOX HOOD 90 CM

- ◆ Sensitive electronic controls
- ◆ Energy labelling : A+
- ◆ On/Off, Boost
- ◆ Maximum airflow of 540m³/h
- ◆ Sound level (Standard re1 pW/DIN/EN 60704-2-13)
Mini: 42dB(A), maxi: 57dB(A)
- ◆ Brushless motor
- ◆ 3 power levels including Boost
- ◆ Timer
- ◆ Mood lighting
- ◆ 1 LED strip, 8W
- ◆ 2 hand washable aluminium grease filters
- ◆ Carbon filter FWK240
- ◆ Installation for use in extraction mode



SEE USER MANUAL

MOTION CONTROL HOODS



DHB4684B | BLACK

DHB4684B BOX HOOD 60 CM

- ◆ Sensitive electronic controls
- ◆ Energy labelling : A+
- ◆ Boost, Light, Delayed stop
- ◆ Maximum airflow of 365m³/h
- ◆ Sound level (Standard re1 pW/DIN/EN 60704-2-13)
Mini: 40dB(A), maxi: 58dB(A)
- ◆ Brushless motor
- ◆ 3 power levels including Boost
- ◆ Timer
- ◆ 2 x 4W LED lighting
- ◆ 2 dishwasher safe aluminium grease filters
- ◆ Carbon filter FWND-185
- ◆ Installation for use in extraction mode



MOTION CONTROL HOODS

DHG2684B CANOPY HOOD 55 CM

- ◆ Electronic controls
- ◆ Energy labelling: A Class
- ◆ Boost
- ◆ Maximum airflow of 470m³/h
- ◆ Sound level (Standard re1 pW/DIN/EN 60704-2-13)
Mini: 43dB(A), maxi: 62dB(A)
- ◆ Brushless motor
- ◆ 3 power levels
- ◆ 1 x 6W LED lighting
- ◆ 1 aluminium grease filter
- ◆ Carbon filter FWK385
- ◆ Installation for use in recycling mode



DHG2684B | BLACK



DHB49740B | BLACK

DHB49740B BOX SLIM HOOD 90 CM

- ◆ Sensitive electronic controls
- ◆ Energy labelling: A+ Class
- ◆ On/Off, Boost
- ◆ Maximum airflow of 545m³/h
- ◆ Sound level (Standard re1 pW/DIN/EN 60704-2-13)
Mini: 42dB(A), maxi: 65dB(A)
- ◆ Brushless motor
- ◆ 4 power levels including Boost
- ◆ Timer
- ◆ Light intensity dimmer
- ◆ Mood lighting
- ◆ References of compatible induction hobs:
DPI4442B / DPI4450G / DPI4441BT / DPI4830B /
DPI4932BP / DPI4942B
- ◆ 1 LED strip, 9W
- ◆ 3 hand washable aluminium grease filters
- ◆ Carbon filter AHFC330
- ◆ Installation for use in extraction mode



SEE USER MANUAL

DHB46740B BOX SLIM HOOD 60 CM

- ◆ Sensitive electronic controls
- ◆ Energy labelling: A+ Class
- ◆ Boost, Light, Delayed stop
- ◆ Maximum airflow of 530m³/h
- ◆ Sound level (Standard re1 pW/DIN/EN 60704-2-13)
Mini: 45dB(A), maxi: 65dB(A)
- ◆ Brushless motor
- ◆ 3 power levels including Boost
- ◆ Timer
- ◆ Light intensity dimmer
- ◆ References of compatible induction hobs:
DPI4442B / DPI4450G / DPI4441BT / DPI4830B /
DPI4932BP / DPI4942B
- ◆ 2 x 3W LED lighting
- ◆ 2 dishwasher safe aluminium grease filters
- ◆ Carbon filter FWND-185
- ◆ Installation for use in extraction mode



DHB46740B | BLACK



SEE USER MANUAL

AUTO LINK HOODS



DHG4573B | BLACK



DHG4573B CANOPY HOOD 55 CM

- ◆ Electronic controls
- ◆ Energy labelling: A Class
- ◆ Boost
- ◆ Maximum airflow of 470m³/h
- ◆ Sound level (Standard re1 pW/DIN/EN 60704-2-13)
Mini: 43dB(A), maxi: 62dB(A)
- ◆ Brushless motor
- ◆ 3 power levels including Boost
- ◆ Timer
- ◆ References of compatible induction hobs:
DPI4442B / DPI4450G / DPI4441BT / DPI4830B /
DPI4932BP / DPI4942B
- ◆ 1 LED strip, 6W
- ◆ 1 dishwasher safe aluminium grease filter
- ◆ Carbon filter FWK385
- ◆ Installation for use in recycling mode



SEE USER MANUAL

VERTICAL HOODS WITH PLASMA FILTER

DHV4973PB VERTICAL HOODS WITH PLASMA FILTER 90 CM

- ◆ Backlit electronic controls
- ◆ Energy labelling: A+ Class
- ◆ On/Off, Boost, Delayed stop, Light
- ◆ Maximum airflow of 540m³/h
- ◆ Sound level (Standard re1 pW/DIN/EN 60704-2-13)
Mini: 40dB(A), maxi: 60dB(A)
- ◆ Brushless motor
- ◆ Plasma filter
- ◆ 4 power levels including Boost
- ◆ Timer
- ◆ Light intensity dimmer
- ◆ 1 LED strip, 7W
- ◆ 2 dishwasher safe aluminium grease filters
- ◆ Installation for use in recycling mode



DHV4973PB | BLACK



SEE USER MANUAL



DHV4974HB | BLACK



DHV4974HB VERTICAL HOODS WITH HEPA FILTER 90 CM

- ◆ Backlit electronic controls
- ◆ Energy labelling: A+ Class
- ◆ On/Off, Boost, Delayed stop, Light
- ◆ Maximum airflow of 550m³/h
- ◆ Sound level (Standard re1 pW/DIN/EN 60704-2-13)
Mini: 40dB(A), maxi: 60dB(A)
- ◆ Brushless motor
- ◆ Hepa filter
- ◆ 4 power levels including Boost
- ◆ Timer
- ◆ Light intensity dimmer
- ◆ 1 LED strip, 7W
- ◆ 2 dishwasher safe aluminium grease filters
- ◆ Carbon filter FWND-185
- ◆ Installation for use in recycling mode



SEE USER MANUAL

DHV4974B VERTICAL HOOD 90 CM

- ◆ Backlit electronic controls
- ◆ Energy labelling: A+ Class
- ◆ Delayed stop, Light, Boost, On/Off
- ◆ Maximum airflow of 550 m³/h
- ◆ Sound level (Standard re1 pW/DIN/EN 60704-2-13)
Mini: 40dB(A), maxi: 60dB(A)
- ◆ Brushless motor
- ◆ 4 power levels including Boost
- ◆ Timer
- ◆ Light intensity dimmer
- ◆ 1 LED strip, 7W
- ◆ 2 dishwasher safe aluminium grease filters
- ◆ Carbon filter FWND-185
- ◆ Installation for use in recycling mode



DHV4974B | BLACK



SEE USER MANUAL

VERTICAL HOODS



DHV4674B | BLACK



DHV4674B VERTICAL HOOD 60 CM

- ◆ Backlit electronic controls
- ◆ Energy labelling: A+ Class
- ◆ Delayed stop, Light, Boost, On/Off
- ◆ Maximum airflow of 550 m³/h
- ◆ Sound level (Standard re1 pW/DIN/EN 60704-2-13)
Mini: 40dB(A), maxi: 60dB(A)
- ◆ Brushless motor
- ◆ 4 power levels including Boost
- ◆ Timer
- ◆ Light intensity dimmer
- ◆ 1 LED strip, 7W
- ◆ 2 dishwasher safe aluminium grease filters
- ◆ Carbon filter FWND-185
- ◆ Installation for use in recycling mode



SEE USER MANUAL

DHD7261B DOWNDRAFT HOOD 120 CM

- ◆ Sensitive electronic controls
- ◆ Energy labelling: A Class
- ◆ On/Off, Boost, Delayed stop, Light
- ◆ Maximum airflow of 612m³/h
- ◆ Sound level (Standard re1 pW/DIN/EN 60704-2-13)
Mini: 39dB(A), maxi: 58dB(A)
- ◆ 4 power levels including Boost
- ◆ Filter saturation indicator
- ◆ Compatible with a gas hob
- ◆ 1 x 9W LED lighting
- ◆ 2 aluminium grease filters
- ◆ Carbon filter AK912AE1
- ◆ Installation for use in recycling mode



SEE USER MANUAL



DHD7261B | INOX



DOWNDRAFT HOODS

DOWNDRAFT HOODS



DHD7961B | INOX



DHD7961B DOWNDRAFT HOOD 86 CM

- ◆ Sensitive electronic controls
- ◆ Energy labelling: A Class
- ◆ On/Off, Boost, Delayed stop, Light
- ◆ Maximum airflow of 605m³/h
- ◆ Sound level (Standard re1 pW/DIN/EN 60704-2-13)
Mini: 38dB(A), maxi: 61dB(A)
- ◆ 4 power levels including Boost
- ◆ Filter saturation indicator
- ◆ Compatible with a gas hob
- ◆ 1 x 5W LED lighting
- ◆ 2 aluminium grease filters
- ◆ Recycling kit AK700AE1
- ◆ Installation for use in recycling mode

DHB4934W BOX HOOD 90 CM

- ◆ Rotator
- ◆ Energy labelling: A+ Class
- ◆ Boost, Light, On/Off
- ◆ Maximum airflow of 540m³/h
- ◆ Sound level (Standard re1 pW/DIN/EN 60704-2-13)
Mini: 42dB(A), maxi: 65dB(A)
- ◆ Brushless motor
- ◆ 4 power levels including Boost
- ◆ Light intensity dimmer
- ◆ 2 x 4W LED lighting
- ◆ 3 dishwasher safe aluminium grease filters
- ◆ Carbon filter AHFC330
- ◆ Installation for use in extraction mode

BOX HOODS



DHB4934W | ETERNAL WHITE



DHB4934H | HERITAGE



DHB4934B | INFINITE BLACK



DHB4934X | STELLAR STEEL



SEE USER MANUAL



SEE USER MANUAL

BOX HOODS



DHB4974B | BLACK



DHB4974B BOX SLIM HOOD 90 CM

- ◆ Sensitive electronic controls
- ◆ Energy labelling: A+ Class
- ◆ Boost, Light, Delayed Stop
- ◆ Maximum airflow of 540m³/h
- ◆ Sound level (Standard re1 pW/DIN/EN 60704-2-13)
Mini: 42dB(A), maxi: 65dB(A)
- ◆ Brushless motor
- ◆ 3 power levels including Boost
- ◆ Timer
- ◆ Light intensity dimmer
- ◆ 2 x 4.5W LED lighting
- ◆ 3 dishwasher safe aluminium grease filters
- ◆ Carbon filter AHFC330
- ◆ Installation for use in extraction mode



SEE USER MANUAL

BOX HOODS

DHB391BX BOX SLIM HOOD 90 CM

- ◆ Sensitive electronic controls
- ◆ Energy labelling: A+ Class
- ◆ Boost, Light, Delayed stop
- ◆ Maximum airflow of 535m³/h
- ◆ Sound level (Standard re1 pW/DIN/EN 60704-2-13)
Mini: 45dB(A), maxi: 65dB(A)
- ◆ Brushless motor
- ◆ 3 power levels including Boost
- ◆ 2 x 4W LED lighting
- ◆ 3 dishwasher safe aluminium grease filters
- ◆ Carbon filter FWND-185
- ◆ Installation for use in extraction mode



DHB391BX | INOX



SEE USER MANUAL

BOX HOODS



DHB4674B | BLACK



DHB4674X | INOX



DHB4674B BOX SLIM HOOD 60 CM

- ◆ Sensitive electronic controls
- ◆ Energy labelling: A+ Class
- ◆ Boost, Light, Delayed stop
- ◆ Maximum airflow of 530m³/h
- ◆ Sound level (Standard re1 pW/DIN/EN 60704-2-13)
Mini: 45dB(A), maxi: 65dB(A)
- ◆ Brushless motor
- ◆ 3 power levels including Boost
- ◆ Timer
- ◆ Light intensity dimmer
- ◆ 2 x 4W LED lighting
- ◆ 2 dishwasher safe aluminium grease filters
- ◆ Carbon filter FWK240
- ◆ Installation for use in extraction mode

DHB361BX BOX SLIM HOOD 60 CM

- ◆ Sensitive electronic controls
- ◆ Energy labelling: A+ Class
- ◆ Boost, Light, Delayed stop
- ◆ Maximum airflow of 530m³/h
- ◆ Sound level (Standard re1 pW/DIN/EN 60704-2-13)
Mini: 45dB(A), maxi: 65dB(A)
- ◆ Brushless motor
- ◆ 3 power levels including Boost
- ◆ 2 x 4W LED lighting
- ◆ 2 dishwasher safe aluminium grease filters
- ◆ Carbon filter FWND-185
- ◆ Installation for use in extraction mode

BOX HOODS



DHB361BX | INOX



SEE USER MANUAL



SEE USER MANUAL

ISLAND BOX HOOD



DHI2963B | BLACK

DHI2963B ISLAND BOX HOOD 90 CM

- ◆ Electronic controls with display
- ◆ Energy labelling: A Class
- ◆ On/Off, Boost, Delayed stop
- ◆ Maximum airflow of 420m³/h
- ◆ Sound level (Standard re1 pW/DIN/EN 60704-2-13)
Mini: 51dB(A), maxi: 62dB(A)
- ◆ 4 power levels including Boost
- ◆ Timer
- ◆ Light intensity dimmer
- ◆ Mood lighting
- ◆ 4 x 4W LED lighting
- ◆ 3 dishwasher safe aluminium grease filters
- ◆ Carbon filter FWK240
- ◆ Installation for use in extraction mode



SEE USER MANUAL

CEILING HOOD



DHL2993W | WHITE

DHL2993W CEILING HOOD 90 CM

- ◆ Remote Control
- ◆ Energy labelling: A Class
- ◆ On/Off, Delayed stop
- ◆ Maximum airflow of 450m³/h
- ◆ Sound level (Standard re1 pW/DIN/EN 60704-2-13)
Mini: 44dB(A), maxi: 64dB(A)
- ◆ 3 power levels
- ◆ Independent lighting
- ◆ 2 x 5W LED lighting
- ◆ 2 aluminium grease filters
- ◆ Carbon filter



SEE USER MANUAL

PYRAMID HOOD



DHP2962BX PYRAMID HOOD 90 CM

- ◆ Electronic controls
- ◆ Energy labelling: B Class
- ◆ On/Off, Boost
- ◆ Maximum airflow of 570m³/h
- ◆ Sound level (Standard re1 pW/DIN/EN 60704-2-13)
Mini: 52dB(A), maxi: 69dB(A)
- ◆ 4 power levels including Boost
- ◆ Independent lighting
- ◆ 2 x 2,5W LED lighting
- ◆ 3 inox grease filters
- ◆ Carbon filter DHK303API
- ◆ Installation for use in extraction mode



SEE USER MANUAL

TELESCOPIC HOODS



DHT3922X | INOX



DHT3922X TELESCOPIC HOOD 90 CM

- ◆ Mechanical controls with cursor
- ◆ Energy labelling: B Class
- ◆ On/Off, Boost
- ◆ Maximum airflow of 425m³/h
- ◆ Sound level (Standard re1 pW/DIN/EN 60704-2-13)
Mini: 57dB(A), maxi: 69dB(A)
- ◆ 3 power levels including Boost
- ◆ Independent lighting
- ◆ 2 x 2,5W LED lighting
- ◆ 2 aluminium grease filters
- ◆ Carbon filter AFC-36
- ◆ Installation for use in recycling mode



SEE USER MANUAL

TELESCOPIC HOODS



DHT3622X | INOX



DHT3622X TELESCOPIC HOOD 60 CM

- ◆ Mechanical controls with cursor
- ◆ Energy labelling: B Class
- ◆ On/Off, Boost
- ◆ Maximum airflow of 425m³/h
- ◆ Sound level (Standard re1 pW/DIN/EN 60704-2-13)
Mini: 57dB(A), maxi: 69dB(A)
- ◆ 3 power levels including Boost
- ◆ Independent lighting
- ◆ 2 x 2,5W LED lighting
- ◆ 1 aluminium grease filter
- ◆ Carbon filter AFC-36
- ◆ Installation for use in recycling mode



SEE USER MANUAL

CANOPY HOOD



DHG1542X | INOX



DHG1542X CANOPY HOOD 52CM

- ◆ Electronic controls
- ◆ Energy labelling: B Class
- ◆ Delayed stop, Sensor, On/Off, Speed
- ◆ Maximum airflow of 550m³/h
- ◆ Sound level (Standard re1 pW/DIN/EN 60704-2-13)
Mini: 49dB(A), maxi: 65dB(A)
- ◆ 4 power levels including Boost
- ◆ Independent lighting
- ◆ 1 x 7W LED lighting
- ◆ 1 inox grease filter
- ◆ Recycling kit AFC-33
- ◆ Installation for use in recycling mode

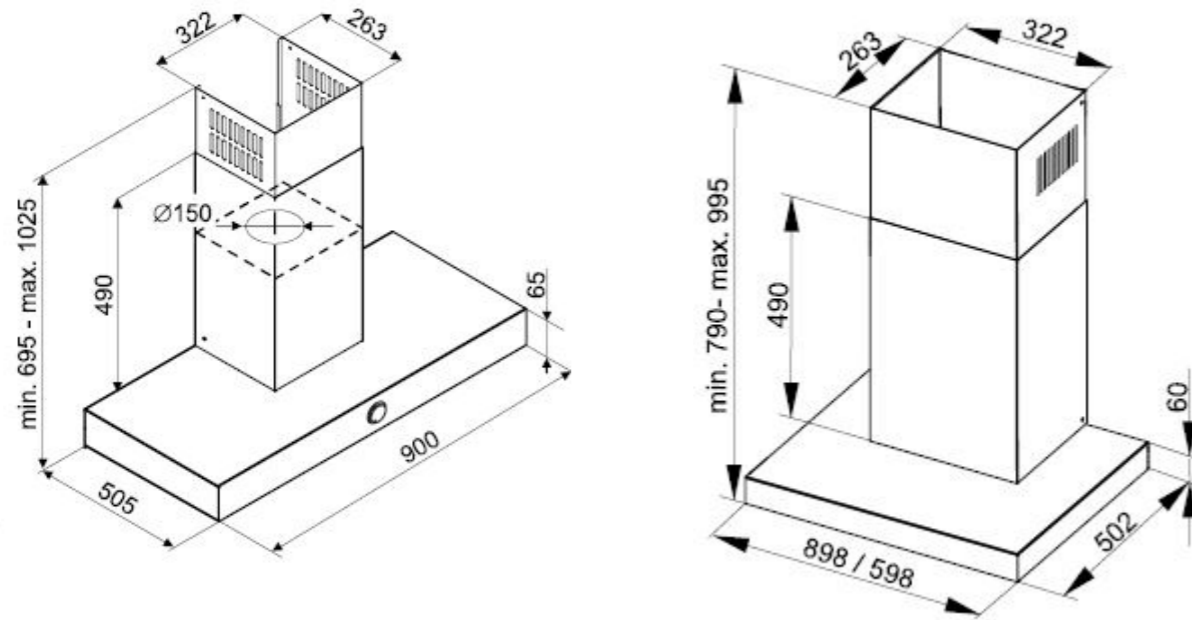


SEE USER MANUAL

HOOD INSTALLATION DIAGRAMS

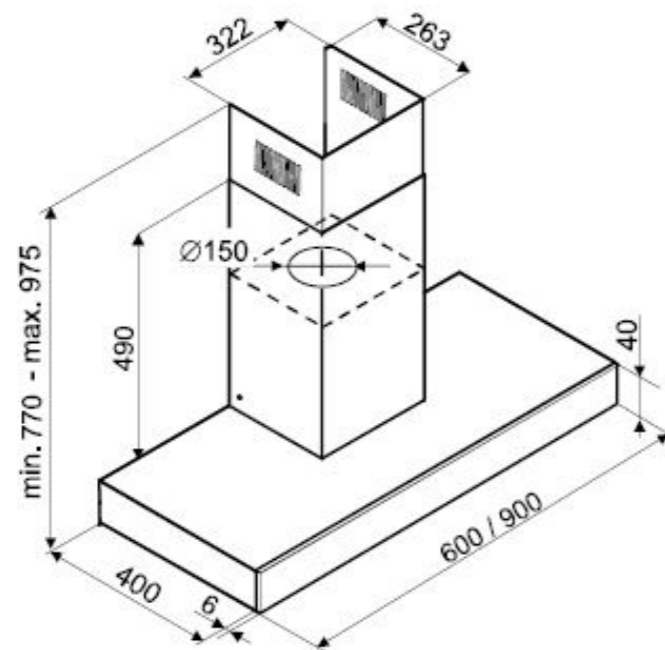
BOX HOODS 90 CM

DHB4984B / DHB49740B / DHB4934W/H/B/X



BOX SLIM HOODS 90 CM

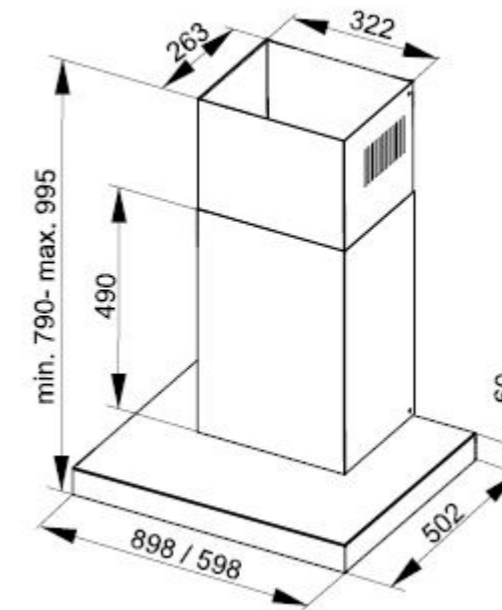
DHB4974B / DHB391BX



HOOD INSTALLATION DIAGRAMS

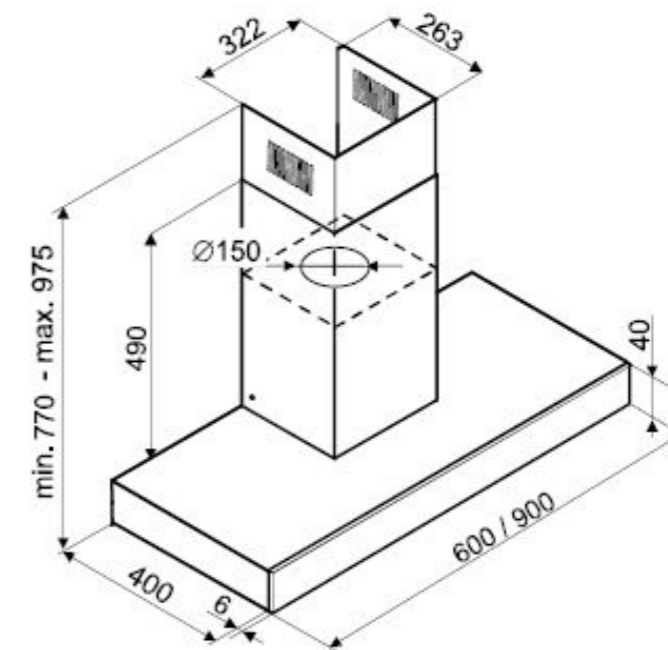
BOX HOOD 60 CM

DHB46740B



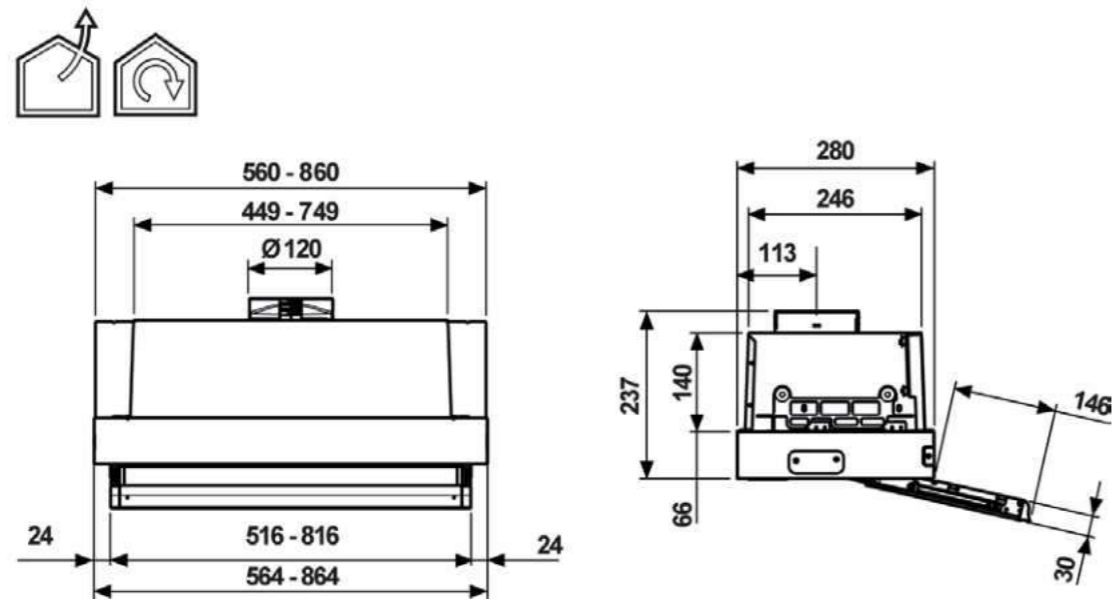
BOX SLIM HOODS 60 CM

DHB4684B / DHB4674B / DHB361BX



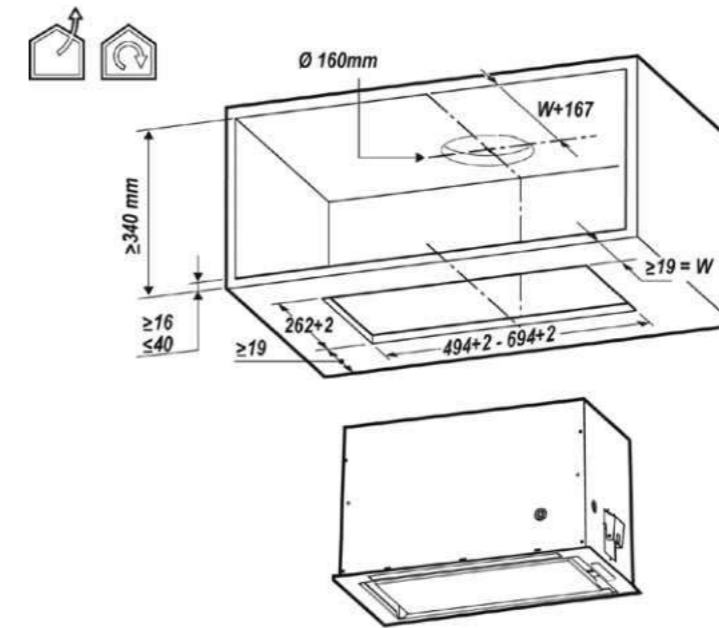
HOOD INSTALLATION DIAGRAMS

TELESCOPIC HOOD 60 CM DHT3622X

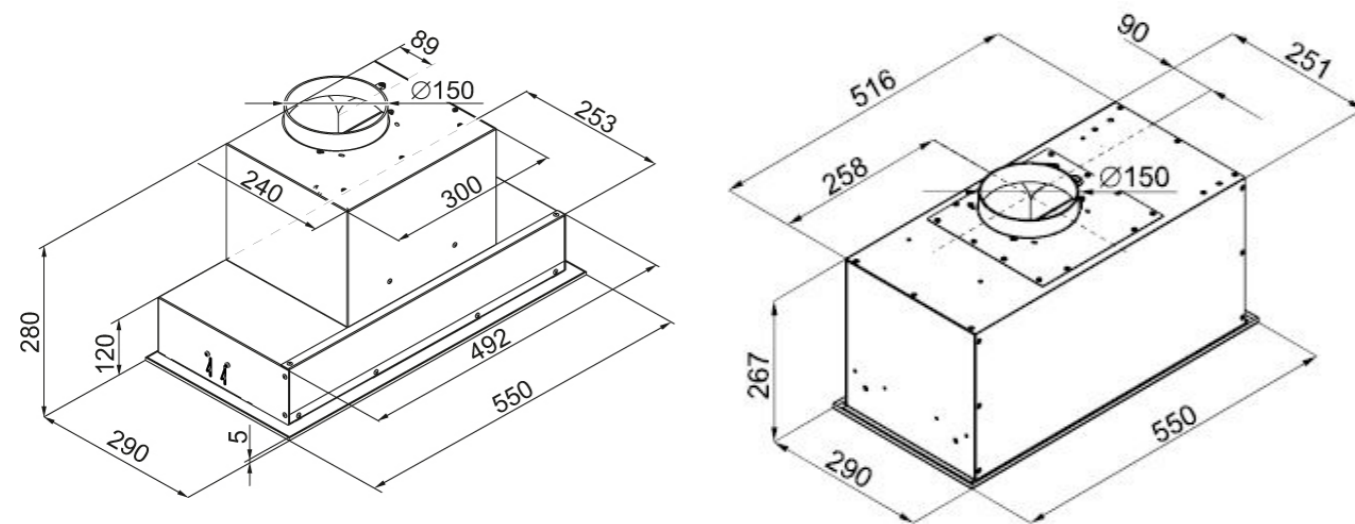


HOOD INSTALLATION DIAGRAMS

CANOPY HOOD 52 CM DHG1542X



CANOPY HOODS 55 CM DHG2684B / DHG4573B



ACCESSORIES

90CM HOODS

HOOD REFERENCES

DHV4973PB
DHV4974HB
DHV4974B
DHV4984B
DHB4984B
DHB4934 H/B/X/W
DHB49740B
DHB4974B
DHI2963B
DHB391BX
DHB4674B
DHP2962BX
DHT3922X
DHL2993W

CARBON FILTER REFERENCES

Plasma filter
FWND-185
FWND-185
FWND-185
FWND-185
FWK240
AHFC330
AHFC330
AHFC330
FWK240
FWND-185
-FWK240
DHK303AP1
AFC-36
-

60CM, 55CM AND 52CM HOODS

HOOD REFERENCES

DHV4674B
DHV4684B
DHB46740B
DHB4684B
DHB361BX
DHT3622X
DHG2684B
DHG4573B
DHG1542X

CARBON FILTER REFERENCES

FWND-185
FWND-185
FWND-185
FWND-185
FWND-185
AFC-36
FWK385
FWK385
AFC-33

DOWNDRAFT HOODS

HOOD REFERENCES

DHD7261B
DHD7961B

CARBON FILTER REFERENCES

AK912AE1
AK700AE1

WASHING

180 • Dishwashers

187 • 60cm Full Built-In Dishwashers – Tall Tub

189 • 60cm Full Built-In Dishwashers

202 • 45cm Full Built-In Dishwashers

204 • 60cm Freestanding Washing Machine

205 • 60cm Full Built-in Washing Machine

206 • 60cm Full Built-in Tumble Dryer

207 • 60cm Full Built-in Washer Dryer



AN INTELLIGENT DISHWASHER FOR OPTIMUM CONSUMPTION



DISHWASHERS

There is a dishwasher in the De Dietrich Collection for every requirement.

They are created to the very highest standards: elegantly sophisticated, with a clever and spacious interior layout built to accommodate 13 place settings, and equipped with intelligent electronic programming for exceptional performance.



When aesthetics enhances function to play the perfect tune.

De Dietrich's built-in dishwashers feature a range of colours and materials, and a control panel that is perfectly in line with the rest of the cooking collection. The result is a range of highly stylish dishwashers that play their part in total harmony. The fully built-in models only offer a completely smooth front, matching the kitchen units and concealing the controls on the edge of the door. Being invisible: the ultimate elegance for a De Dietrich appliance!

Eco-design by De Dietrich.

For many years, De Dietrich has offered products of outstanding quality and respect for the environment. This is evidenced by its Dishwashing Collection, whose models are rated between B and C for electricity consumption.



ICS Technology. An intelligent dishwasher for optimum consumption.

This technology makes use of sensors which automatically detect the level of dirtiness. They accurately analyse the quantity of washing, decide on which washing, rinsing and drying cycles to use, and adjust the levels of water and energy consumption required throughout the cycle with the utmost precision, as well as the length of the washing cycle.

Quietness: an example of the art of living by De Dietrich.

If silence is one of your golden rules when it comes to choosing a dishwasher, you can be sure that De Dietrich has the same high standards. All of them have been designed to operate as quietly as possible to ensure your well-being, as demonstrated by these new 14 place settings models whose sound level is only 42 dB(A), one of the lowest on the market. A remarkably high discretion (a feature limited to certain models).



Ultrareal fascia: intuitive and smart.

Interact with your dishwasher as you would with a kitchen crew after service. The intuitive interface has been redesigned to make the most of its wide array of programmes and features. Its interactive screen displays greater readability and clarity. The display shows programme and option selections with optimum visibility and clarity.



Smart Autodose: a more efficient use of detergent and time!

Your dishwasher is equipped with a new detergent box, accessible on the inner-door. It contains a removable interior box with a completely new design to accommodate the liquid detergent of your choice. Its capacity allows you to perform up to 15 washing cycles without having to repeat the operation everyday. Smart, it automatically delivers the right amount of detergent according to the programmed cycle. An ingenious and economical solution from every point of view.



Interior LED lighting: a new vision of comfort by De Dietrich.

Enjoy a perfect view of the washing space and all your crockery, even when it's getting dark... De Dietrich once again proves its commitment to perfection and its acute sense of detail. Its dishwashers light up as soon as the door is opened. Strategically located LEDs provide optimum interior visibility to facilitate storage and unloading of your crockery. And throughout the cycle, they will emit a subtle beam of light from the side of the appliance to let you know it is running.



PlusWash spraying system. Uncompromising high-end design & maximum washing quality.

Get the best out of your dishwasher and enjoy it fully without having to hand wash the dirtiest dishes... This is PlusWash bold challenge: an innovative spraying system designed to significantly optimize water spraying and washing performance. Its unique feature is the addition of a satellite arm to the main reel located at the bottom of the tank. Together, they perform a powerful and liberating round of water and detergent into the smallest nooks and crannies to reach the crockery wherever it is located, with all the force required to rid them of all traces of food residue, even the toughest ones. Combined with MasterWash or Auto programs, this technology guarantees optimal efficiency, while reducing cycle duration by four and saving 20% water and energy (vs. an Eco cycle). A talented duo to assist you with the greatest and most brilliant intelligence!



Lower rack and Clean Jets System.

Flexibility and modularity are the hallmarks of this irresistibly versatile lower rack. Its spikes fold down to accommodate more easily your large cooking utensils such as frying pans and saucepans. Some models combine this space with an innovative spraying system dedicated to wine carafes or similar containers which can be difficult to wash. Perfectly held on the rack spikes when powerful jets of water are sprayed, their washing has never been so enjoyable and the result so impeccable.



Space optimization. A score with no wrong notes.

Pay tribute to culinary arts, be creative, mix styles and crockery... To give free rein to your culinary inspirations, these new dishwashers combine efficiency and ease of use on a daily basis. Providing flexibility, ingenuity and modular storage, while guaranteeing impeccable washing quality, the layout has been designed to accommodate your everyday crockery as well as your special tableware.



Dishwasher XXL for 16 place settings. Give all your tableware a new setting! De Dietrich has designed this exceptional dishwasher for the most contemporary living spaces. With its extralarge dimensions, it fits seamlessly and in perfect harmony into kitchens with a central island and a raised worktop.

The interior layout has been carefully designed for unrivalled modularity. The flexibility of the lower and upper racks accommodates the largest cooking utensils as well as very large dishes - those 33cm diameter plates for example that you love to place on your table, wine carafes, crystal flutes, cups and saucers, long cutlery... Nothing stands in its way, leaving no room for compromise between machine and hand washing.



Third storage basket. Dishwashers with 14 and 15 place settings are equipped with a third rack, dedicated to cutlery and cooking utensils. Sides slide out to make room for long stemmed glasses stored in the lower basket, ensuring that they are washed safely and perfectly.



Height-adjustable upper rack. This system is very useful when you need more height for large dishes and other bulky utensils stored on the lower level.



Upper rack with Glidetech system. For greater comfort, some models include a ball bearing system called Glidetech which allows very smooth handling of the upper rack when sliding out of the dishwasher.



Spotlight.

Spotlight informs you that the programme has finished by shedding an orange beam onto the floor.

Automatic door opening: natural and economical drying.

To maximize drying efficiency, it is essential that hot, humid air is properly exhausted out of the dishwasher. This is the reason why De Dietrich imagined this automatic door opening function at the end of the cycle (declutching option). The operating time of your device is thus minimized, energy consumption reduced by 20% for optimal drying results!

Aquablock: security for total peace of mind.

Enjoy complete protection with Aquablock, which comprises anti-overspill and anti-leak systems, and an electrical water cut-off system.

Sliding Door.

Thanks to their sliding door system, De Dietrich dishwashers adapt easily and discreetly to all kitchen configurations.





A symphony of programs combining virtuosity and tempo.



Intensive: a programme designed to wash extremely dirty dishes more efficiently, and overcome even the stubbornest of stains on cooking utensils.



Universal: for dishes with a normal level of dirt, including slightly soiled pots, plates, glasses, and pans.

Eco

Eco: this 45°C wash cycle stands out as being the most efficient, in terms of both water and energy consumption.



Glass: a cycle suited to washing and drying fragile dishes, especially glasses.



90 min: 1 hour 30 minutes programme at 65°C designed to wash and dry a daily load of dishes with efficiency recognized by the A Label.

OPTIA 58min

OptiA 58 min: quick program with impeccable results, ideal for normally soiled dishes requiring a fast washing and drying cycle.



Quick: a short cycle for lightly soiled dishes that require a quick wash



Soak: very short detergent-free cycle lasting 15 minutes, for pre-rinsing heavily soiled dishes or wetting them down before a wash scheduled for the next day or the day after.



Enhanced Wash: an option that improves the cleaning of very dirty dishes, characterized by a higher temperature during the main wash and an additional rinse cycle.



Enhanced Drying: to improve the drying efficiency, the Extra Drying option increases the temperature during the final rinse and extends the drying phase.



Energy saving: an option that reduces consumption for smaller loads of dishes.



Half-Load Program: this feature allows you to run the dishwasher without waiting for it to be full. Simply load your dishes into either the upper or lower rack and select the 'Upper Rack' or 'Lower Rack' button, enabling the appliance to efficiently target its cleaning action with an economical approach.



Self-Cleaning: carried out empty and at very high temperature, this cycle sanitizes the entire structure of your machine (walls, racks, reels and filters) to always accommodate the crockery in a perfectly clean and healthy environment.



Night silence: a dream programme when energy prices are dropping. At a very low temperature over a longer period than a conventional cycle, it ensures perfect washing in all circumstances. Particularly quiet and economical at night, it's perfect for everyday dishwashing, leaving you with spotless crockery the next morning.



Hygiene 70°C: designed specifically for dishes requiring rigorous cleanliness, such as baby bottles. It operates at a very high temperature during the main wash and final rinse cycle to sterilize, eliminating 99.9% of germs and viruses, and preventing their proliferation on porous utensils like cutting boards. An excellent antibacterial treatment!



MasterWash: exclusive to De Dietrich. Select with confidence this unique program, combining gentle washing to preserve your delicate crockery, glasses or cutlery stored in the upper rack with intensive cleaning of the dirtiest dishes and cooking utensils placed in the lower rack.



Steam Wash: exclusive to De Dietrich. Forget 'hand-pretwash'. This program includes a 10-minute steam phase at the beginning of the cycle. Its action helps remove resistant dirt and eliminate 99.9% of bacteria from your crockery.

DCJ632DQB

FULL BUILT-IN - TALL TUB

- ◆ Induction motor
- ◆ 16 place settings
- ◆ Energy efficiency class B
- ◆ 42 dB (A)
- ◆ Consumption: 9.3L/cycle
- ◆ Delayed start up to 24 hours with remaining time

- ◆ 9 programmes : ICS+, Hygiene Plus, Night silence, Eco, 90 min, Prewash, Tank cleaning, Wash & Dry 55 Min, Rapid 35 min
- ◆ Options: Half load, Express, Drying plus, Clean Jet system
- ◆ 6 Temperatures
- ◆ Drying System: Natural convection

- ◆ Automatic door opening for drying
- ◆ End of Cycle Indicator: Spotlight and audible beep
- ◆ Salt and rinsing warning lights
- ◆ 3rd basket
- ◆ Height adjustable upper basket
- ◆ Upper basket with folding support
- ◆ Modulable lower basket
- ◆ Safety Features: Overflow protection + Anti-leak + Aquablock
- ◆ Built-in dimensions: H 860 - 910 mm x W 600 mm x D 580 mm

60 CM DISHWASHER - TALL TUB



DCJ632DQB

ICS+ Intelligent Control System:

Thanks to sensors, this programme adapts all the washing parameters (duration, water, temperature) throughout the cycle and according to the quantity of dishes and level of dirtiness.



SEE USER MANUAL

60 CM DISHWASHER – TALL TUB



DCJ632DQX

DCJ632DQX FULL BUILT-IN – TALL TUB

- ◆ Induction motor
- ◆ 16 place settings
- ◆ Energy efficiency class C
- ◆ 42 dB (A)
- ◆ Consumption: 9.5L/cycle
- ◆ Delayed start up to 24 hours with remaining time

- ◆ 9 programmes: ICS+, Hygiene Plus, Night silence, Eco, 90 min, Prewash, Tank cleaning, Wash & Dry 55 Min, Rapid 35 min
- ◆ Options: Half load, Express, Drying plus, Clean jet system
- ◆ 6 Temperatures
- ◆ Drying System: Natural convection

- ◆ Automatic door opening for drying
- ◆ End of Cycle Indicator: Spotlight and audible beep
- ◆ Salt and rinsing warning lights
- ◆ 3 rd basket
- ◆ Height adjustable upper basket
- ◆ Modulable lower basket
- ◆ Safety Features: Overflow protection + Anti-leak
- ◆ Built-in dimensions: H 860 - 910 mm x W 600 mm x D 580 mm

Clean Jet System:

A new nozzle system integrated into the upper basket spraying water directly to the bottom of glasses and wine decanters, delivering bright shining results.



SEE USER MANUAL

60 CM DISHWASHER



DCJ532DQX

DCJ532DQX FULL BUILT-IN

- ◆ Inverter induction motor
- ◆ 15 place settings
- ◆ Energy efficiency class C
- ◆ 42 dB (A)
- ◆ Consumption: 9.8L/cycle
- ◆ Delayed start up to 24 hours with remaining time

- ◆ 8 programmes: Intensive, Eco, ICS+, 90 min, Rapid 30 min, Glass, Universal, Prewash
- ◆ Options: Half load with choice of upper or lower zone, Express, Drying plus, Boost, Energy saving
- ◆ 5 Temperatures
- ◆ Drying System: Natural convection

- ◆ Automatic door opening for drying
- ◆ End of Cycle Indicator: Spotlight and audible beep
- ◆ Salt and rinsing warning lights
- ◆ 3rd basket
- ◆ Height adjustable upper basket
- ◆ Modulable lower basket
- ◆ Safety Features: Overflow protection + Anti-leak + Aquablock
- ◆ Built-in dimensions: H 820 - 870 mm x W 600 mm x D 580 mm

Inverter induction motor:

The induction motor is controlled by an electronic inverter, allowing precise speed regulation. As a result, it is more efficient, quieter and more robust.



SEE USER MANUAL

60 CM DISHWASHER



DCJ534DQX

DCJ534DQX FULL BUILT-IN

- ◆ Inverter Induction motor
- ◆ 15 place settings
- ◆ Energy efficiency class C
- ◆ 44 dB (A)
- ◆ Consumption: 9.8L/cycle
- ◆ Delayed start up to 24 hours with remaining time

- ◆ 8 programmes: Intensive, Eco, ICS+, 90 min, Rapid 30 min, Glass, Universal, Prewash
- ◆ Options: Half load with choice of upper or lower zone, Express, Drying plus, Boost, Energy saving
- ◆ 5 Temperatures
- ◆ Drying System: Natural convection

- ◆ Automatic door opening for drying
- ◆ End of Cycle Indicator: Spotlight and audible beep
- ◆ Salt and rinsing warning lights
- ◆ 3rd basket
- ◆ Height adjustable upper basket
- ◆ Modulable lower basket
- ◆ Safety Features: Overflow protection + Anti-leak + Aquablock
- ◆ Built-in dimensions: H 820 - 870 mm x W 600 mm x D 580 mm

15 Place-setting:

Your dishwasher has an even bigger capacity thanks to its 3rd very ingenious basket. This drawer dedicated to the wash of flatware is ergonomic and completely flexible; it allows to free space for stemmed glasses.



SEE USER MANUAL

60 CM DISHWASHER



DDFI532QB

DDFI532QB FULL BUILT-IN - SLIDING DOOR

- ◆ Induction motor
- ◆ 15 place settings
- ◆ Energy efficiency class D
- ◆ 42 dB (A)
- ◆ Consumption: 9L/cycle
- ◆ Delayed start up to 19 hours with remaining time

- ◆ 9 programmes: Auto, Rapid 30 min, Fragile, Hygiene Plus, Intensive, Eco
- ◆ Options: Half load, Drying plus, Energy saving, Delayed start
- ◆ 6 Temperatures
- ◆ Drying System: Natural convection

- ◆ Automatic door opening for drying, disengageable door
- ◆ End of Cycle Indicator: Spotlight and audible beep
- ◆ Salt and rinsing warning lights
- ◆ 3rd basket
- ◆ Height adjustable upper basket
- ◆ Modulable lower basket
- ◆ Safety Features: Aquablock
- ◆ Built-in dimensions: H 820 - 870 mm x W 600 mm x D 580 mm

Auto Open Door Disconnect:

Possibility to disconnect the automatic door opening system to protect any type of work surface..



SEE USER MANUAL

60 CM DISHWASHER



DV1434QJ

DV1434QJ FULL BUILT-IN

- ◆ Induction motor
- ◆ 15 place settings
- ◆ Energy efficiency class D
- ◆ 44 dB (A)
- ◆ Consumption: 9L/cycle
- ◆ Delayed start up to 19 hours with remaining time

- ◆ 8 programmes : Masterwash, ICS+, Hygiene Plus, Eco, Express 14 min, Rapid 30 min, Steam wash, Super 50 mn
- ◆ Options : Half load, Drying plus, Delayed start, Express, Night silence
- ◆ 6 Temperatures
- ◆ Air-vented drying system

- ◆ End of Cycle Indicator: Spotlight and audible beep
- ◆ Salt and rinsing warning lights
- ◆ 3rd basket
- ◆ Height adjustable upper basket
- ◆ Modulable lower basket
- ◆ Safety Features: Overflow protection + Anti-leak
- ◆ Built-in dimensions: H 820 - 870 mm x W 600 mm x D 580 mm

Steam Wash programme:

An exclusive programme that integrates during wash cycle 10 minutes steam phase to improve dirt removal and help the elimination of bacteria.



SEE USER MANUAL

60 CM DISHWASHER



DBJ434DQA

DBJ434DQA FULL BUILT-IN - SLIDING DOOR

- ◆ Induction motor
- ◆ 14 place settings
- ◆ Energy efficiency class B
- ◆ 42 dB (A)
- ◆ Consumption: 9,8L/cycle
- ◆ Delayed start up to 24 hours with remaining time

- ◆ 7 programmes: Auto, Eco, Hygiene Plus, Fragile, Night silence, Rapid 30 min, Soak
- ◆ Options : Boost, Express, Alternative wash, Autodose
- ◆ 5 Temperatures
- ◆ Drying System: Natural convection

- ◆ Automatic door opening for drying, disengageable door
- ◆ End of Cycle Indicator: Spotlight and audible beep
- ◆ Salt and rinsing warning lights
- ◆ 3rd basket
- ◆ Height adjustable upper basket
- ◆ Modulable lower basket
- ◆ Safety Features: Overflow protection + Anti-leak + Aquablock
- ◆ Built-in dimensions: H 820 - 870 mm x W 600 mm x D 580 mm

Autodose:

By adjusting the right amount of washing-up liquid according to how dirty the dishes are, Autodose helps to limit detergent consumption and reduce pollutant emissions.



SEE USER MANUAL

60 CM DISHWASHER



DBJ422DQX

DBJ422DQX FULL BUILT-IN – SLIDING DOOR

- ◆ Induction motor
- ◆ 14 place settings
- ◆ Energy efficiency class B
- ◆ 42 dB (A)
- ◆ Consumption: 9,8L/cycle
- ◆ Delayed start up to 24 hours with remaining time

- ◆ 8 programmes: Intensive, Eco, ICS+, 90 min, Rapid 30 min, Glass, Universal, Prewash
- ◆ Options: Half load, Express, Boost, Energy saving
- ◆ 5 Temperatures
- ◆ Drying System: Natural convection

- ◆ Automatic door opening for drying, disengageable door
- ◆ End of Cycle Indicator: Spotlight and audible beep
- ◆ Salt and rinsing warning lights
- ◆ Height adjustable upper basket
- ◆ Modulable lower basket
- ◆ Safety Features: Overflow protection + Anti-leak + Aquablock
- ◆ Built-in dimensions: H 820 - 870 mm x W 600 mm x D 580 mm

42dB:
With 42 dB(A) noise level only, your dishwasher can make itself very quiet.



SEE USER MANUAL

60 CM DISHWASHER



DCJ434DB

DCJ434DB FULL BUILT-IN – SLIDING DOOR

- ◆ Standard motor
- ◆ 14 place settings
- ◆ Energy efficiency class C
- ◆ 42 dB (A)
- ◆ Consumption: 9,8L/cycle
- ◆ Delayed start up to 24 hours with remaining time

- ◆ 7 programmes: Auto, Eco, Fragile, Hygiene Plus, Night silence, Soak, Rapid 30 min
- ◆ Options: Express, Boost, Alternative wash
- ◆ 5 Temperatures
- ◆ Drying System: Natural convection

- ◆ Automatic door opening for drying, disengageable door
- ◆ End of Cycle Indicator: Spotlight and audible beep
- ◆ Salt and rinsing warning lights
- ◆ 3rd basket
- ◆ Height adjustable upper basket
- ◆ Modulable lower basket
- ◆ Safety Features: Overflow protection + Anti-leak + Aquablock
- ◆ Built-in dimensions: H 820 - 870 mm x W 600 mm x D 580 mm

Hygiene +:
High temperature programme to guarantee more efficient bacteria elimination.



SEE USER MANUAL

60 CM DISHWASHER



DCJ422Q SX

DCJ422Q SX FULL BUILT-IN - SLIDING DOOR

- ◆ Induction motor
- ◆ 14 place settings
- ◆ Energy efficiency class C
- ◆ 42 dB (A)
- ◆ Consumption: 9,8L/cycle
- ◆ Delayed start up to 24 hours with remaining time

- ◆ 8 programmes: Intensive, Eco, ICS+, 90 min, Rapid 30 min, Glass, Universal, Prewash
- ◆ Options: Half load, Express, Drying Plus, Boost, Energy saving
- ◆ 5 Temperatures
- ◆ Drying System: Natural convection

- ◆ Automatic door opening for drying
- ◆ End of Cycle Indicator: Spotlight and audible beep
- ◆ Salt and rinsing warning lights
- ◆ Mini sliding basket
- ◆ Height adjustable upper basket
- ◆ Modulable lower basket
- ◆ Safety Features: Overflow protection + Anti-leak + Aquablock
- ◆ Built-in dimensions: H 820 - 870 mm x W 600 mm x D 580 mm

Mini sliding basket:
A small rack that can slide freely on top of the upper basket. A smart solution to load your dishwasher with more flexibility.



SEE USER MANUAL

60 CM DISHWASHER



DCJ424D QX

DCJ424D QX FULL BUILT-IN

- ◆ Inverter Induction motor
- ◆ 14 place settings
- ◆ Energy efficiency class C
- ◆ 44 dB (A)
- ◆ Consumption: 9,8L/cycle
- ◆ Delayed start up to 24 hours with remaining time

- ◆ 8 programmes: Intensive, Eco, ICS+, 90 min, Rapid 30 min, Glass, Universal, Prewash
- ◆ Options: Half load, Express, Drying Plus, Boost, Energy saving
- ◆ 5 Temperatures
- ◆ Drying System: Natural convection

- ◆ Automatic door opening for drying
- ◆ End of Cycle Indicator: Spotlight and audible beep
- ◆ Salt and rinsing warning lights
- ◆ Height adjustable upper basket
- ◆ Modulable lower basket
- ◆ Safety Features: Overflow protection + Anti-leak + Aquablock
- ◆ Built-in dimensions: H 820 - 870 mm x W 600 mm x D 580 mm

Auto open door:
For natural, more efficient, more economical and faster drying.



SEE USER MANUAL

60 CM DISHWASHER



KDLV434SJ

KDLV434SJ FULL BUILT-IN – SLIDING DOOR

- ◆ Standard motor
- ◆ 14 place settings
- ◆ Energy efficiency class C
- ◆ 44 dB (A)
- ◆ Consumption: 9,8L/cycle
- ◆ Delayed start: 3h/6h/9h/12h

- ◆ 6 programmes: Intensive, Eco, ICS+, Rapid 30min, Glass, Express 58min
- ◆ Options: Half load with choice of upper or lower zone, Express, Drying Plus, Boost, Energy saving
- ◆ 4 Temperatures
- ◆ Drying System: Natural convection

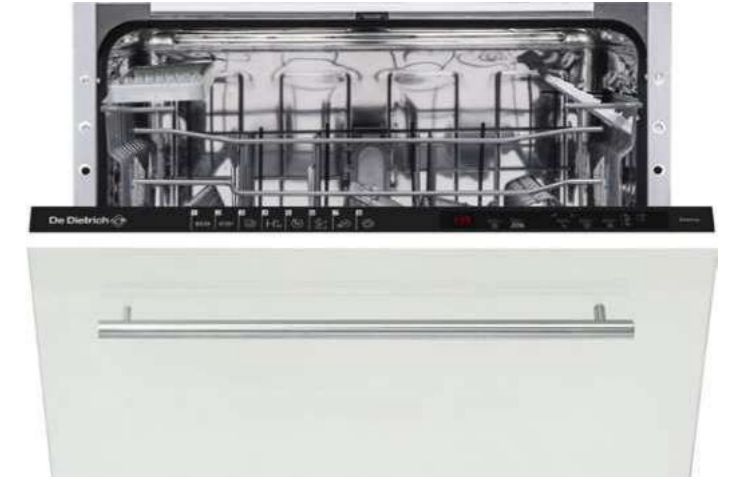
- ◆ Automatic door opening for drying, disengageable door
- ◆ End of Cycle Indicator: Spotlight and audible beep
- ◆ Salt and rinsing warning lights
- ◆ Small sliding 3rd basket
- ◆ Height adjustable upper basket
- ◆ Modulable lower basket
- ◆ Safety Features: Overflow protection + Anti-leak
- ◆ Built-in dimensions: H 820 - 870 mm x W 600 mm x D 580 mm

Sliding door:
For all types of installation in your kitchen.



SEE USER MANUAL

60 CM DISHWASHER



DKFI44QSB

DKFI44QSB FULL BUILT-IN

- ◆ Inverter induction motor
- ◆ 14 place settings
- ◆ Energy efficiency class D
- ◆ 44 dB (A)
- ◆ Consumption: 9L/cycle
- ◆ Delayed start up to 19 hours with remaining time

- ◆ 8 programmes: Masterwash, ICS+, Hygiene Plus, Eco, Express 14 min, Rapid 30 min, Steam wash, Super 50 mn
- ◆ Options: Delayed start, Half load, Express, Night silence, Drying Plus
- ◆ 6 Temperatures
- ◆ Air-vented drying system

- ◆ End of Cycle Indicator: Spotlight and audible beep
- ◆ Salt and rinsing warning lights
- ◆ Height adjustable upper basket
- ◆ Modulable lower basket
- ◆ Safety Features: Overflow protection + Anti-leak
- ◆ Built-in dimensions: H 820 - 870 mm x W 600 mm x D 580 mm

Turbo Fan:

The fan ensures the circulation of the air, allowing vapor dissipation and avoiding any traces of water at the end of the cycle.



SEE USER MANUAL

60 CM DISHWASHER



DVC1434J2

DVC1434J2 FULL BUILT-IN

- ◆ Standard motor
- ◆ 14 place settings
- ◆ Energy efficiency class D
- ◆ 44 dB (A)
- ◆ Consumption: 10L/cycle
- ◆ Delayed start up to 12 hours

- ◆ 6 programmes: Intensive, Eco, ICS+, 60 min, Rapid 30 min, Glass
- ◆ Options: Half load
- ◆ 4 Temperatures
- ◆ Drying System: Natural convection

- ◆ Automatic door opening for drying
- ◆ End of Cycle Indicator: Spotlight and audible beep
- ◆ Salt and rinsing warning lights
- ◆ 3rd basket
- ◆ Height adjustable upper basket
- ◆ Modulable lower basket
- ◆ Safety Features: Overflow protection + Anti-leak + Aquablock
- ◆ Built-in dimensions: H 820 - 870 mm x W 600 mm x D 580 mm

14 place settings:

3 racks Thanks to its third rack, which can be adjusted to a half-rack version with a single slide of the hand, your dishwasher can optimise your loads according to your needs. Your flute glasses can be washed at the same time as large pots and pans.



SEE USER MANUAL

60 CM DISHWASHER



KDLV326J2

KDLV326J2 FULL BUILT-IN

- ◆ Standard motor
- ◆ 13 place settings
- ◆ Energy efficiency class D
- ◆ 45 dB (A)
- ◆ Consumption: 10L/cycle
- ◆ Delayed start up to 12 hours

- ◆ 6 programmes: Intensive, Eco, Auto, 60 min, Rapid 30 min, Glass
- ◆ Options: Half load
- ◆ 4 Temperatures
- ◆ Drying System: Natural convection

- ◆ Automatic door opening for drying
- ◆ End of Cycle Indicator: Spotlight and audible beep
- ◆ Salt and rinsing warning lights
- ◆ Height adjustable upper basket
- ◆ Modulable lower basket
- ◆ Safety Features: Overflow protection + Anti-leak
- ◆ Built-in dimensions: H 820 - 870 mm x W 600 mm x D 580 mm

Auto Programme:

A single button guarantees a perfect washing result thanks to the automatic recommendation of the best suited programme and according to dishes dirtiness.



SEE USER MANUAL



DV301044J

DV301044J FULL BUILT-IN

- ◆ Standard motor
- ◆ 10 place settings
- ◆ Energy efficiency class C
- ◆ 44 dB (A)
- ◆ Consumption: 8,5L/cycle
- ◆ Delayed start up to 24 hours with remaining time

- ◆ 8 programmes: Intensive, Eco, ICS+, 90 min, Rapid 30 min, Glass, Universal, Prewash
- ◆ Options: Half load, Drying Plus, Boost, Express, Energy saving
- ◆ 4 Temperatures
- ◆ Drying System: Natural convection

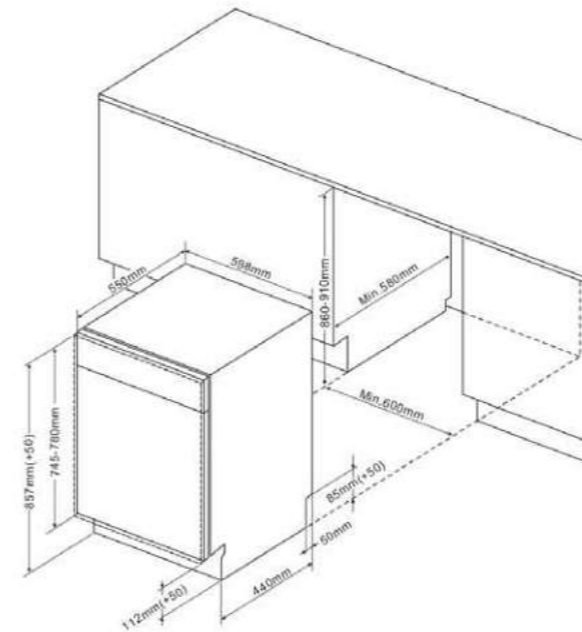
- ◆ Automatic door opening for drying
- ◆ End of Cycle Indicator: Spotlight and audible beep
- ◆ Salt and rinsing warning lights
- ◆ Height adjustable upper basket
- ◆ Modulable lower basket
- ◆ Safety Features: Overflow protection + Anti-leak + Aquablock
- ◆ Built-in dimensions: H 820 - 870 mm x W 450 mm x D 575 mm

Delayed star:
Delay washing cycle for better comfort and ease of-use.

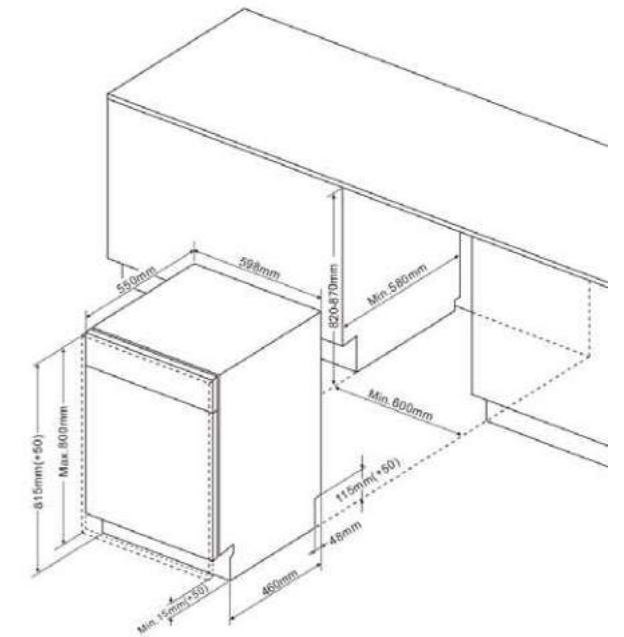


SEE USER MANUAL

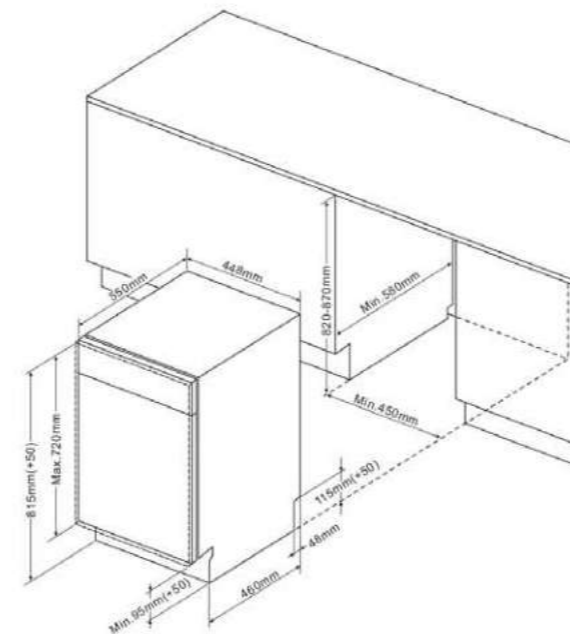
FULL BUILT-IN HIGH SIZE MODEL 60CM DCJ632DQB / DCJ632DQX



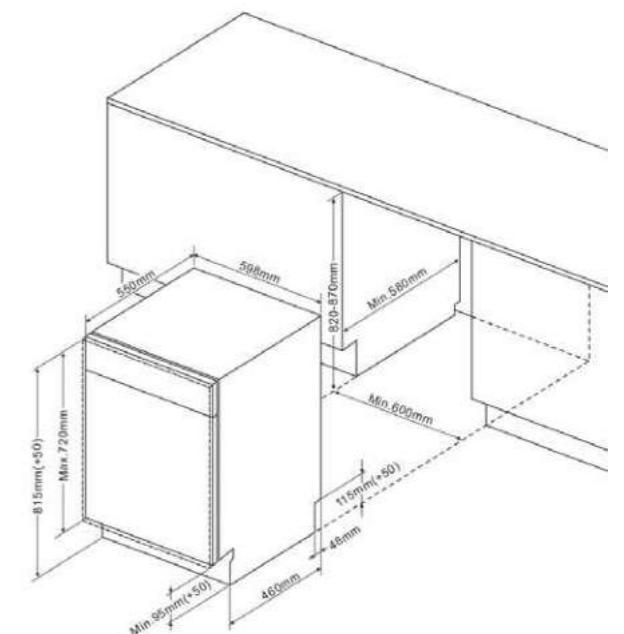
FULL BUILT-IN MODEL 60CM DDFI532QB / DBJ434DQA / DBJ422DQX / DCJ434DB / DCJ422QSX / DKLV4432J



FULL BUILT-IN MODEL 45CM DV301044J



FULL BUILT-IN MODEL 45CM DCJ532DQX / DCJ534DQX / DV1434QJ / DCJ424DQX / DKFI44QSB / DVC1434J2 / KDLV3326J2 / DV301044J



60CM WASHING MACHINE



DWF394QWE

DWF394QWE FREESTANDING

- ◆ Capacity: 9 kg
- ◆ Spin speed: 1400rpm/min
- ◆ Energy efficiency class A
- ◆ Water consumption 50 L/cycle
- ◆ Noise level class when spinning: C
- ◆ Digits Display
- ◆ Automatic variable capacity
- ◆ 15 programmes: Rapid 60 min, Rapid 15 min, Hygiene, Jeans programme, Eco 40, 60, Colours, Cotton, 20°C, Intensive, Mixed, Wool, Rinse / Spin, Spinning, Sport, Hand wash
- ◆ Options: Delayed start, Steam, Rinsing+, Prewash, Anti-allergy, Quickwash, Eco Wash
- ◆ Delayed start up to 23 hours with remaining time
- ◆ Stainless steel drum
- ◆ Antioverflow, balance control system and child safety features
- ◆ Dimensions: H 845 mm x W 597 mm x D 582 mm

Autodose:

By dosing the right amount of liquid detergent and fabric softener according to the type, quantity and level of soiling of the clothes, Autodose helps to protect clothes, limit detergent consumption, and reduce polluting emissions.



SEE USER MANUAL

60CM WASHING MACHINE



DWF484QJE

DWF484QJE FULL BUILT-IN

- ◆ Capacity: 8 kg
- ◆ Spin speed: 1400rpm/min
- ◆ Energy efficiency class A
- ◆ Water consumption: 48 L/cycle
- ◆ Noise level: 76 dB
- ◆ Digits Display
- ◆ Automatic variable capacity
- ◆ 15 programmes: Cotton, Eco 40-60, Intensive, 20°C, Colours, Wool, Rinsing, Hygiene, Rinse / Spin, Handwash, Sport, Mixed, Jeans, Rapid 60 min, Rapid 15 min
- ◆ Options: Delayed start, Soiling level, Prewash, Rinsing+, Easy iron, Anti-allergy, Quick wash
- ◆ Delayed start up to 23 hours with remaining time
- ◆ Stainless steel drum
- ◆ Antioverflow, balance control system and child safety features
- ◆ Dimensions : H 817 mm x W 597 mm x D 544 mm

A-class:

With the best energy rating on the market, this appliance helps you reduce your energy consumption while guaranteeing perfect wash quality.



SEE USER MANUAL

60CM TUMBLE DRYER



DDF394HWE

DDF394HWE FULL BUILT-IN

- ◆ Capacity: 9 kg
- ◆ Energy efficiency class A+++
- ◆ Noise level: 65 dB (A)
- ◆ Digits Display

- ◆ 15 programmes: Outdoor, Rapid 45 min, Hygiene, Shirts 30 min, Refresh, Wool, Mixed, Duvet, Baby clothes, Bed Linen, Cupboard-dry synthetics, Cupboard-dry cotton, Delicate, Drying timer, Night
- ◆ Options: Drying time, Delayed start, Delicate, Energy Efficiency Bar, Silence Dry, Anti crease
- ◆ Delayed start up to 23 hours with remaining time

- ◆ Stainless steel drum
- ◆ Full tub and child safety features
- ◆ Dimensions: H 845 mm x W 596 mm x D 609 mm

Heat Pump:

The heat pump technology allows an efficient drying laundry while limiting energy consumption.



SEE USER MANUAL

60CM WASHER DRYER



DWD485QJE

DWD485QJE FULL BUILT-IN

- ◆ Capacity: 8 kg
- ◆ Spin speed: 1400rpm/min
- ◆ Energy efficiency class A
- ◆ Water consumption: 48 L/cycle
- ◆ Noise level: 75 dB
- ◆ Digits Display

- ◆ Automatic variable capacity
- ◆ 15 programmes: Eco 40-60, Cotton, 20°C, Synthetics, Wool, Bedding, Rinse / Spin, Hygiene, Rapid 60 min, Mixed drying, Cotton drying, Washing + drying
- ◆ Options: Add laundry, Prewash, Rinsing+, Easy iron, Hygiene
- ◆ Delayed start up to 23 hours with remaining time

- ◆ Stainless steel drum
- ◆ Balance control system
- ◆ Dimensions: H 817 mm x W 597 mm x D 544 mm

Maxi opening:

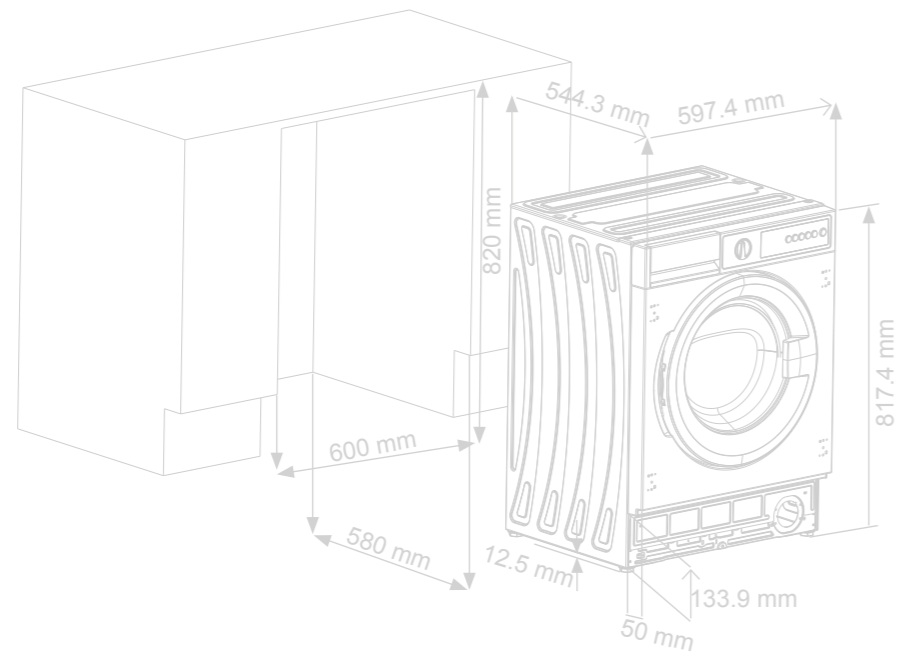
Equipped with a maxi porthole together with an extra large 33cm opening, your washer dryer will allow you to load and unload your laundry very easily.



SEE USER MANUAL

INSTALLATION DIAGRAM

FULL BUILT-IN WASHING MACHINE/ WASHER DRYER DWF484QJE / DWD485QJE



COOLING

212 • Refrigerators

216 • Built-in Fridges-Freezers

220 • Built-in Larder Single doors

227 • Built-in Single doors

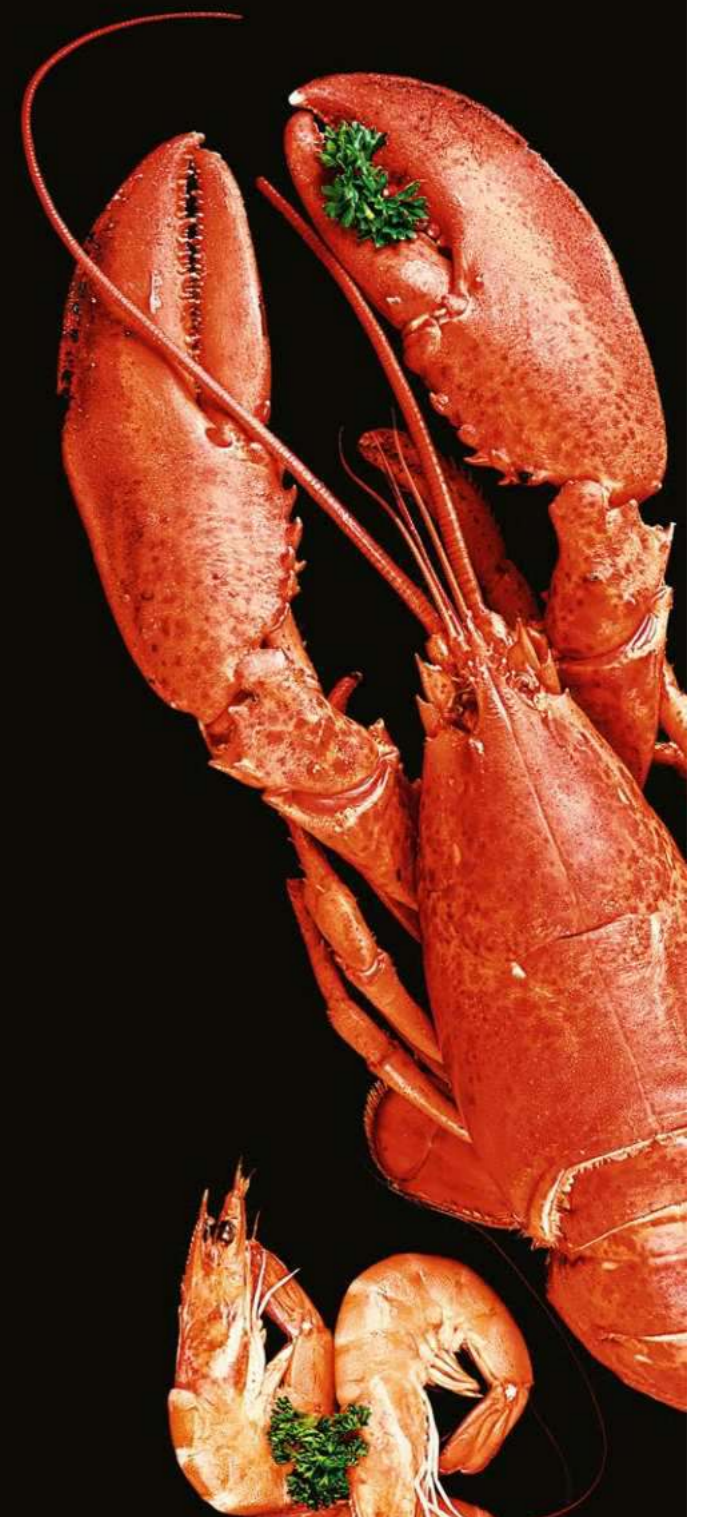
230 • Built-in Upright freezers

233 • Freestanding Multi-Door

234 • Freestanding Fridges-Freezers

243 • Built-under Wine Aging Cellar

245 • Built-in Wine Service Cellar





SIGNATURE
DE DIETRICH
PERFORMANCE

REFRIGERATORS

With high standards in preserving the freshness and flavour of your food, along with generous storage space, De Dietrich refrigeration showcases a variety of subtleties. Glass transparency matches the metallic accents of accessories, with intelligently laid-out space and electronically controlled temperatures. De Dietrich refrigerators and freezers blend naturally into the kitchen, the ultimate living space.



The best of uncompromising refrigeration.

Give more impetus to your culinary creativity, by surrounding yourself with the very best, in complete and utter confidence... That's the raison d'être of this new collection of refrigerators and freezers in which De Dietrich reveals its perfect mastery of refrigeration.

◆ **No Frost technology.**

Its integrated ventilation column propels dry and cold air, ensuring a perfect and even temperature ideally distributed throughout the refrigerator or freezer. Keeping the food fresh longer, it extends the pleasure of enjoying it up to three times longer, prevents the frost from freezing, and puts an end to freezer defrosting.

◆ **Dynamic cooling.**

Unlike static cooling, dynamic cooling constantly circulates humid air, ensuring ideal preservation for all dishes, regardless of where they are stored on the shelf.

◆ **Some models combine these two technologies so that you no longer have to hesitate between dynamic cooling and No Frost.**

This ingenious solution allows you to preserve and freeze even the most delicate dishes by the book, without the need for defrosting. Each compartment is independently cooled, so you can return to the ideal temperature twice as quickly after opening the door to preserve and secure all your stored food.



Masterfully controlled refrigeration.

Stringent food preservation is a major concern for you, as it is for De Dietrich. The **electronic management and regulation of temperature**, controlled by an integrated probe, provide the precise reliability required to guarantee optimum storage and freezing conditions.

Several models offer two '**Super cooling**' and '**Super Freezing**' features. If you promised your parents that during their next visit they would enjoy both the fresh produce from the garden and those gorgeous free-range chickens they brought you, make sure you activate these two functions beforehand to boost temperature recovery and preserve all their flavours.



Refrigeration by De Dietrich: combining know-how and good manners.

Welcome your guests as they deserve and treat them to a meal with dishes that are selected and varied, tasty and delicate, impeccably fresh and of great taste and nutritional quality...
 With De Dietrich, improvising is not on the agenda. The brand has designed a collection that reconciles all your conservation requirements with ingenious and refined spaces that you will enjoy arranging. No one remains unmoved before such perfection! Make up your own mind...

Interior design.

A beautiful orchestration.

An ode to metal and chrome finishes and to glass and light! De Dietrich skilfully combines refinement and creativity to enhance the interior design of its refrigerators and reveal how qualitative and functional are their many components.



◇ Such as **Metal Cooling**, the refrigerator's rear wall coated with stainless steel. But don't be mistaken: while the unique aesthetics and ambient comfort prevail, its primary mission is to help maintain temperatures in the compartment and optimise the preservation of fragile and delicate products, such as fish or meat.



◇ **Integrated LED lighting** on the side walls (depending on models) shines a light on the elegance of the space dedicated to food storing. Highly energy-efficient, it provides maximum visibility on everything stored inside.



◇ **Glass shelves** are elegant, stable and hygienic. One of them features a chrome hoop, providing ingenious additional space for your bottles.

◇ Same approach for the inner door, equipped with numerous modular door balconies with chrome finishes. **The Smart System balcony** notably provides six different heights for arranging condiment bottles, delicatessen products or jam jars.



Dedicated spaces: a music score without any wrong notes.

To pay tribute to culinary art, trust your De Dietrich refrigerator. Maximizing interior space, managing temperature and optimizing the freshness of various foods: this is the role played by the many dedicated pieces of equipment, cleverly located in the appropriate cold zone, so as to preserve each of your products. Guaranteeing your well-being, they also demonstrate their ingenuity in tune with your lifestyle and consumer habits.



◇ **A special dairy box** slides out from under the shelf; ensuring optimum storage conditions without spreading odours, it is intended in particular to cheese and butter.



◇ **Fresh food compartments** are equipped with a small 'Ultra fresh' activated charcoal box that keeps fresh food and catering dishes up to three times longer, and preserves their flavour and nutritional quality.



◇ **The crisper** is equipped with a humidity control to provide the best and most suitable environment for your fruit, salads and early vegetables.



◇ As far as cold beverages are concerned, with **'Beverage Cooler'**, you benefit from an optimized space, hidden under the crisper, to store and retrieve small bottles and cans that will always be as fresh as desired.



◇ **Twist Ice** is the easiest way to get ice cubes quickly: it features a dedicated compartment for making ice cubes and a removable container for easy collecting and, above all, storing large quantities in advance (on some De Dietrich refrigerators and freezers).

◇ **De Dietrich freezers are as functional as refrigerators.**



Big Box for instance is a large capacity compartment designed to provide even more generous and efficient storage for bulky frozen foods.



The **Sliding Tray system** will undoubtedly transform the way you reach all stored products (pizza, condiments, frozen ready-made dishes, etc.).

BUILT-IN FRIDGE FREEZER



DRC9455EN

DRC9455EN BUILT-IN FRIDGE FREEZER

- ◆ Integrated fridge freezer 300 litres
 - ◆ Energy labelling: E Class
 - ◆ Cabinet height 194cm
 - ◆ Sliding system fixing
 - ◆ LED lighting
 - ◆ Climate class SN-T
 - ◆ Noise level: 35 dB (A)
 - ◆ Consumption: 245kW / year
 - ◆ Built-in dimensions: H 1945 mm x W 564 mm x D 570 mm
-
- ◆ Fridge 213L
 - ◆ No Frost
 - ◆ 2 functions: Refrigerator booster, Holidays
 - ◆ Automatic defrost
 - ◆ 3 safety glass shelves
 - ◆ 2 vegetable drawers
 - ◆ 1 Fresh Zone
 - ◆ 1 bottle holder
 - ◆ Egg tray
 - ◆ 3 door shelves
 - ◆ 1 bottle door shelf
-
- ◆ Freezer 87L
 - ◆ No Frost
 - ◆ Function: Freezer booster
 - ◆ Automatic defrost
 - ◆ 1 sliding tray
 - ◆ 2 drawers
 - ◆ 1 ice cube tray
 - ◆ Freezing capacity 6kg/24h
 - ◆ Freezer autonomy 9h

Crisper with adjustable humidity:
For better preservation of fruits and vegetables, you can adjust the humidity inside the crisper.



SEE USER MANUAL

BUILT-IN FRIDGE FREEZER



DRC1775EN

DRC1775EN BUILT-IN FRIDGE FREEZER

- ◆ Integrated fridge freezer 242 litres
 - ◆ Energy labelling: E Class
 - ◆ Cabinet height 177cm
 - ◆ Sliding system fixing
 - ◆ LED lighting
 - ◆ Climate class T
 - ◆ Noise level: 39 dB (A)
 - ◆ Consumption: 218kW/year
 - ◆ Built-in dimensions: H 1770 mm x W 560 mm x D 560 mm
-
- ◆ Fridge 179L
 - ◆ 4 functions: Refrigerator booster, Eco, Drink Cool Mode, Holidays
 - ◆ Automatic defrost
 - ◆ 3 safety glass shelves
 - ◆ 1 vegetable drawer
 - ◆ 1 Maxi Fresh Preserver
 - ◆ 1 bottle holder
 - ◆ 1 cheese box
 - ◆ Egg tray
 - ◆ 3 door shelves
 - ◆ 1 bottle door shelf
-
- ◆ Freezer 63L
 - ◆ No Frost
 - ◆ Freezer booster
 - ◆ Automatic defrost
 - ◆ 2 drawers
 - ◆ 1 ice cube tray
 - ◆ Freezing capacity 3,3kg/24h
 - ◆ Freezer autonomy 8h

Ultrafresh:
The Ultrafresh is an activated carbon filter that captures bad odors and absorbs ethylene gas. This way, your fruits and vegetables will be preserved up to 3 times longer.



SEE USER MANUAL

BUILT-IN FRIDGE FREEZER



DRC1775ED

DRC1775ED BUILT-IN FRIDGE FREEZER

- ◆ Integrated fridge freezer 242 litres
 - ◆ Energy labelling: E Class
 - ◆ Cabinet height 177cm
 - ◆ Fixed assembly with hinge hole
 - ◆ LED lighting
 - ◆ Climate class T
 - ◆ Noise level: 41 dB (A)
 - ◆ Consumption: 218kW/year
 - ◆ Built-in dimensions: H 1770 mm x W 560 mm x D 560 mm
-
- ◆ Fridge 179L
 - ◆ 4 functions: Refrigerator booster, Eco, Drink Cool Mode, Holidays
 - ◆ Automatic defrost
 - ◆ 3 safety glass shelves
 - ◆ 1 vegetable drawer
 - ◆ Ultrafresh
 - ◆ 1 bottle holder
 - ◆ 1 cheese box
 - ◆ Egg tray
 - ◆ 3 door shelves
 - ◆ 1 bottle door shelf
-
- ◆ Freezer 63L
 - ◆ Freezer booster
 - ◆ Automatic defrost
 - ◆ 3 drawers
 - ◆ 1 shelf
 - ◆ 1 ice cube tray
 - ◆ Freezing capacity 3,3kg/24h
 - ◆ Freezer autonomy 8h

Practical and precise interior electronics:
This electronic inside your fridge allows you to adjust the temperature precisely for more safety.



SEE USER MANUAL

BUILT-IN FRIDGE FREEZER



DRC1771EN

DRC1771EN BUILT-IN FRIDGE FREEZER

- ◆ Integrated fridge freezer 242 litres
 - ◆ Energy labelling: E Class
 - ◆ Cabinet height 177cm
 - ◆ Sliding system fixing
 - ◆ LED lighting
 - ◆ Climate class T
 - ◆ Noise level: 39 dB (A)
 - ◆ Consumption: 218kW/year
 - ◆ Built-in dimensions: H 1770 mm x W 560 mm x D 560 mm
-
- ◆ Fridge 179L
 - ◆ Automatic defrost
 - ◆ 3 safety glass shelves
 - ◆ 1 vegetable drawer
 - ◆ Ultrafresh
 - ◆ 1 bottle holder
 - ◆ 1 cheese box
 - ◆ Egg tray
 - ◆ 3 door shelves
 - ◆ 1 bottle door shelf
-
- ◆ Freezer 63L
 - ◆ Automatic defrost
 - ◆ 2 drawers
 - ◆ 1 shelf
 - ◆ 1 ice cube tray
 - ◆ Freezing capacity 3,3kg/24h
 - ◆ Freezer autonomy 8h

No-Frost Cooling:
No Frost cooling preserves food for up to three times longer thanks to a perfectly homogenous temperature distribution. It also makes defrosting unnecessary.



SEE USER MANUAL

BUILT-IN LARDER SINGLE DOOR



DRL1770EB

DRL1770EB BUILT-IN LARDER SINGLE DOOR

- ◆ Integrated larder single door 294 litres
- ◆ Energy labelling: E Class
- ◆ Cabinet height 177cm
- ◆ Sliding system fixing
- ◆ LED lighting
- ◆ Climate class SN-ST
- ◆ Noise level: 39 dB (A)
- ◆ Consumption: 112kW/year
- ◆ Built-in dimensions: H 1770 mm x W 560 mm x D 560 mm

- ◆ Fridge 294L
- ◆ 2 functions: Eco, Refrigerator booster
- ◆ Automatic defrost
- ◆ 4 safety glass shelves
- ◆ 2 vegetable drawers
- ◆ 1 Maxi Fresh Preserver
- ◆ 1 bottle holder
- ◆ 1 cheese box
- ◆ Egg tray
- ◆ 4 door shelves
- ◆ 1 bottle door shelf

Cold Air FAN:

The cold air FAN helps to preserve food twice as long. Thanks to the ventilation in the fridge the temperature is homogeneous and the humidity is constant.



SEE USER MANUAL

BUILT-IN LARDER SINGLE DOOR



DRL1770ED

DRL1770ED BUILT-IN LARDER SINGLE DOOR

- ◆ Integrated larder single door 294 litres
- ◆ Energy labelling: E Class
- ◆ Cabinet height 177cm
- ◆ Fixed assembly with hinge hole
- ◆ LED lighting
- ◆ Climate class SN-ST
- ◆ Noise level: 39 dB (A)
- ◆ Consumption: 112kW/year
- ◆ Built-in dimensions: H 1770 mm x W 560 mm x D 560 mm

- ◆ Fridge 294L
- ◆ 2 functions: Eco, Refrigerator booster
- ◆ Automatic defrost
- ◆ 4 safety glass shelves
- ◆ 2 vegetable drawers
- ◆ Ultrafresh
- ◆ 1 bottle holder
- ◆ 1 cheese box
- ◆ Egg tray
- ◆ 4 door shelves
- ◆ 2 under-shelf drawers
- ◆ 1 bottle door shelf

Door on Door:

The Door on Door hinge attaches the kitchen cabinet door directly to the appliance door, creating a single, integrated design.



SEE USER MANUAL

BUILT-IN LARDER SINGLE DOOR



DRL1247ES

DRL1247ES BUILT-IN LARDER SINGLE DOOR

- ◆ Integrated larder single door 193 litres
 - ◆ Energy labelling: E Class
 - ◆ Cabinet height 122.5cm
 - ◆ Sliding system fixing
 - ◆ LED lighting
 - ◆ Climate class N
 - ◆ Noise level: 35 dB (A)
 - ◆ Consumption: 100kW/year
 - ◆ Built-in dimensions: H 1225 mm x W 560 mm x D 560 mm
-
- ◆ Fridge 193L
 - ◆ Automatic defrost
 - ◆ 2 functions: Refrigerator booster, Eco
 - ◆ 4 safety glass shelves
 - ◆ 1 vegetable drawer
 - ◆ 1 bottle holder
 - ◆ 1 cheese box
 - ◆ Egg tray
 - ◆ 3 door shelves
 - ◆ 1 bottle door shelf

Practical and precise interior electronic:
This electronic inside your fridge allows you to adjust the temperature precisely for more safety



SEE USER MANUAL

BUILT-IN LARDER SINGLE DOOR



DRL1240ED

DRL1240ED BUILT-IN LARDER SINGLE DOOR

- ◆ Integrated larder single door 193 litres
 - ◆ Energy labelling: E Class
 - ◆ Cabinet height 122,5cm
 - ◆ Fixed assembly with hinge hole
 - ◆ LED lighting
 - ◆ Climate class N
 - ◆ Noise level: 35 dB (A)
 - ◆ Consumption: 100kW/year
 - ◆ Built-in dimensions: H 1225 mm x W 560 mm x D 560 mm
-
- ◆ Fridge: 193L
 - ◆ Automatic defrost
 - ◆ 4 safety glass shelves
 - ◆ 1 vegetable drawer
 - ◆ Ultrafresh
 - ◆ 1 bottle holder
 - ◆ 1 cheese box
 - ◆ Egg tray
 - ◆ 3 door shelves
 - ◆ 1 bottle door shelf

LED lighting:
LED lighting makes it easier to see all the food in your fridge.



SEE USER MANUAL

BUILT-IN LARDER SINGLE DOOR



DRL1220ES

DRL1220ES BUILT-IN LARDER SINGLE DOOR

- ◆ Integrated larder single door 199 litres
 - ◆ Energy labelling: E Class
 - ◆ Cabinet height 122cm
 - ◆ Sliding system fixing
 - ◆ LED lighting
 - ◆ Climate class SN-T
 - ◆ Noise level: 37 dB (A)
 - ◆ Consumption: 100kW/year
 - ◆ Built-in dimensions: H 1220 mm x W 560 mm x D 560 mm
-
- ◆ Fridge 199L
 - ◆ Automatic defrost
 - ◆ 4 safety glass shelves
 - ◆ 1 vegetable drawer
 - ◆ 1 bottle holder
 - ◆ Egg tray
 - ◆ 2 door shelves
 - ◆ 1 under-shelf drawer
 - ◆ 1 bottle door shelf

BUILT-IN LARDER SINGLE DOOR



DRL880ES

DRL880ES BUILT-IN LARDER SINGLE DOOR

- ◆ Integrated larder single door 126 litres
 - ◆ Energy labelling: E Class
 - ◆ Cabinet height 87,5cm
 - ◆ Sliding system fixing
 - ◆ LED lighting
 - ◆ Climate class SN
 - ◆ Noise level: 35 dB (A)
 - ◆ Consumption: 91kW/year
 - ◆ Built-in dimensions: H 875 mm x W 560 mm x D 560 mm
-
- ◆ Fridge: 126L
 - ◆ Automatic defrost
 - ◆ 3 safety glass shelves
 - ◆ 1 vegetable drawer
 - ◆ 1 cheese box
 - ◆ Egg tray
 - ◆ 2 door shelves
 - ◆ 1 bottle door shelf

Sliding system:

Setting up your fridge is more than easy: thanks to a very practical sliding system, furniture door can easily be set onto fridge door.



SEE USER MANUAL



SEE USER MANUAL

BUILT-IN LARDER SINGLE DOOR



DRL880ED

DRL880ED BUILT-IN LARDER SINGLE DOOR

- ◆ Integrated larder single door 126 litres
 - ◆ Energy labelling: E Class
 - ◆ Cabinet height 87,5cm
 - ◆ Fixed assembly with hinge hole
 - ◆ LED lighting
 - ◆ Climate class SN
 - ◆ Noise level: 35 dB (A)
 - ◆ Consumption: 91kW/year
 - ◆ Built-in dimensions: H 875 mm x W 560 mm x D 560 mm
-
- ◆ Fridge: 126L
 - ◆ Automatic defrost
 - ◆ 3 safety glass shelves
 - ◆ 1 vegetable drawer
 - ◆ Ultrafresh
 - ◆ 1 cheese box
 - ◆ Egg tray
 - ◆ 2 door shelves
 - ◆ 1 bottle door shelf

Reversible door:

The reversible door offers an adequate solution to adapt the appliance to the layout of the room..



SEE USER MANUAL

BUILT-IN SINGLE DOOR



DRS1244ED

DRS1244ED BUILT-IN SINGLE DOOR

- ◆ Integrated single door 178 litres
 - ◆ Energy labelling: E Class
 - ◆ Cabinet height 122.5cm
 - ◆ Fixed assembly with hinge hole
 - ◆ LED lighting
 - ◆ Climate class N
 - ◆ Noise level: 38 dB (A)
 - ◆ Consumption: 149kW/year
 - ◆ Built-in dimensions: H 1225 mm x W 560 mm x D 560 mm
-
- ◆ Fridge: 162L
 - ◆ Automatic defrost
 - ◆ Freezer booster
 - ◆ 3 safety glass shelves
 - ◆ 1 vegetable drawer
 - ◆ Ultrafresh
 - ◆ 1 bottle holder
 - ◆ 1 cheese box
 - ◆ Egg tray
 - ◆ 3 door shelves
 - ◆ 1 under-shelf drawer
 - ◆ 1 bottle door shelf
-
- ◆ Freezer: 16L
 - ◆ Manual defrost
 - ◆ 1 drawer
 - ◆ 1 ice cube tray
 - ◆ Freezing capacity 2,6kg/24h
 - ◆ Freezer autonomy 8h

Bottle shelf:

This accessory is very useful to save space when the bottle rack is full.



SEE USER MANUAL

BUILT-IN SINGLE DOOR



DRS1247ES

DRS1247ES BUILT-IN SINGLE DOOR

- ◆ Integrated larder single door 178 litres
 - ◆ Energy labelling: E Class
 - ◆ Cabinet height 122.5cm
 - ◆ Sliding system fixing
 - ◆ LED lighting
 - ◆ Climate class N
 - ◆ Noise level: 38 dB (A)
 - ◆ Consumption: 149kW/year
 - ◆ Built-in dimensions: H 1225 mm x W 560 mm x D 560 mm
-
- ◆ Fridge 162L
 - ◆ Automatic defrost
 - ◆ 3 safety glass shelves
 - ◆ 1 vegetable drawer
 - ◆ 1 bottle holder
 - ◆ 1 cheese box
 - ◆ Egg tray
 - ◆ 3 door shelves
 - ◆ 1 bottle door shelf
-
- ◆ Freezer : 16L
 - ◆ Manual defrost
 - ◆ Freezer booster
 - ◆ 1 drawer
 - ◆ 1 ice cube tray
 - ◆ Freezer capacity 2.6 kg/24h
 - ◆ Freezer autonomy 8h



SEE USER MANUAL

BUILT-IN SINGLE DOOR



DRS1224ES

DRS1224ES BUILT-IN SINGLE DOOR

- ◆ Integrated single door 181 litres
 - ◆ Energy labelling: E Class
 - ◆ Cabinet height 122cm
 - ◆ Sliding system fixing
 - ◆ LED lighting
 - ◆ Climate class ST
 - ◆ Noise level: 39 dB (A)
 - ◆ Consumption: 146kW/year
 - ◆ Built-in dimensions: H 1220 mm x W 560 mm x D 560 mm
-
- ◆ Fridge: 167L
 - ◆ Automatic defrost
 - ◆ 3 safety glass shelves
 - ◆ 1 vegetable drawer
 - ◆ 1 bottle holder
 - ◆ Egg tray
 - ◆ 2 door shelves
 - ◆ 1 under-shelf drawer
 - ◆ 1 bottle door shelf
-
- ◆ Freezer: 14L
 - ◆ Manual defrost
 - ◆ 1 drawer
 - ◆ 1 ice cube tray
 - ◆ Freezing capacity 2kg/24h
 - ◆ Freezer autonomy 6h



SEE USER MANUAL

Smart Function:

The Smart function allows the appliance to automatically regulate its temperature according to the ambient temperature. This way you get the ideal temperature for a better conservation.

BUILT-IN UPRIGHT FREEZER



DFU1781ED

DFU1781ED BUILT-IN UPRIGHT FREEZER

- ◆ Integrated upright freezer 196 litres
- ◆ Energy labelling: A+ Class
- ◆ Cabinet height 177cm
- ◆ Fixed assembly with hinge hole
- ◆ Climate class SN-T
- ◆ Noise level: 40 dB (A)
- ◆ Built-in dimensions: H 1770 mm x W 560 mm x D 560 mm

- ◆ Freezer: 196L
- ◆ No frost
- ◆ 2 functions : Eco, Freezer booster
- ◆ 6 drawers
- ◆ 2 flat compartments
- ◆ 2 safety glass shelves
- ◆ Accessories supplied: Twist ice
- ◆ Freezing capacity 11,5kg/24h
- ◆ Freezer autonomy 6h

No frost system:

The No Frost system prevents frost formation inside the freezer and on products which therefore remain perfectly identifiable. It also permits energy savings.



SEE USER MANUAL

BUILT-IN UPRIGHT FREEZER



DFU1781EN

DFU1781EN BUILT-IN UPRIGHT FREEZER

- ◆ Integrated upright freezer 196 litres
- ◆ Energy labelling: E Class
- ◆ Cabinet height 177cm
- ◆ Sliding system fixing
- ◆ LED column lighting
- ◆ Climate class SN-T
- ◆ Noise level: 40 dB (A)
- ◆ Consumption: 231kW/year
- ◆ Built-in dimensions: H 1770 mm x W 560 mm x D 560 mm

- ◆ Freezer: 196L
- ◆ Automatic defrost
- ◆ 2 functions: Eco, Freezer booster
- ◆ 6 drawers
- ◆ 2 flat compartments
- ◆ 2 safety glass shelves
- ◆ Accessories supplied: Twist ice
- ◆ Freezing capacity 11,5kg/24h
- ◆ Freezer autonomy 6h

Booster freezer:

Very practical, especially when coming back from groceries, this function allows to lower the temperature of the freezer in a very short time in order to ensure that food is frozen quickly and thoroughly.



SEE USER MANUAL

BUILT-IN UPRIGHT FREEZER



DFU884ES

DFU884ES BUILT-IN UPRIGHT FREEZER

- ◆ Integrated freezer 94 litres
- ◆ Energy labelling: E Class
- ◆ Cabinet height 87,5cm
- ◆ Sliding system fixing
- ◆ Climate class SN-T
- ◆ Noise level: 38 dB (A)
- ◆ Consumption: 175kW/year
- ◆ Built-in dimensions: H 875 mm x W 560 mm x D 560 mm

- ◆ Freezer: 94L
- ◆ Manual defrost
- ◆ 3 drawers
- ◆ 1 flap compartment
- ◆ Accessories supplied: Ice cube tray
- ◆ Freezing capacity 6kg/24h
- ◆ Freezer autonomy 8h

Easy to install:

Installation is very simple: a practical sliding system allows the trim door to be placed on the freezer door without any difficulty.



SEE USER MANUAL

FREESTANDING MULTI-DOOR



DFM9085EA

DFM9085EA FREESTANDING MULTI-DOOR

- ◆ Multi-door 588 litres
- ◆ Energy labelling: E Class
- ◆ Cabinet height 185cm
- ◆ LED lighting
- ◆ Climate class SN-T
- ◆ Noise level: 41 dB (A)
- ◆ Consumption: 335kW/year
- ◆ Built-in dimensions: H 1850 mm x W 910 mm x D 775 mm

- ◆ Fridge 398L
- ◆ 4 functions: Refrigerator booster, Drink Cool Mode, Holidays, Eco
- ◆ Automatic defrost
- ◆ 2 safety glass shelves
- ◆ 2 vegetable drawers
- ◆ 1 Fresh Zone
- ◆ IonTech
- ◆ Ultrafresh
- ◆ 1 cheese box
- ◆ Egg tray
- ◆ 4 door shelves
- ◆ 2 door shelves with cover
- ◆ 2 bottle door shelves

- ◆ Freezer: 190L
- ◆ Freezer booster
- ◆ Automatic defrost
- ◆ 4 drawers
- ◆ Twist ice
- ◆ Freezing capacity 16,5kg/24 hours
- ◆ Freezer autonomy 12 hours

XXL width:

Thanks to its large width, the storage capacity will help meet the needs of the family and reduce shopping frequency.



SEE USER MANUAL

FREESTANDING FRIDGE FREEZER



DFA9077DX

DFA9077DX FREESTANDING FRIDGE FREEZER

- ◆ Side by side 592 litres
- ◆ Energy labelling: E Class
- ◆ Cabinet height 177cm
- ◆ LED lighting
- ◆ Climate class SN-ST
- ◆ Noise level: 39 dB (A)
- ◆ Consumption: 340kW/year
- ◆ Built-in dimensions: H 1770 mm x W 900 mm x D 730 mm

- ◆ Fridge: 367L
- ◆ 2 functions: Holidays, Eco
- ◆ Automatic defrost
- ◆ Water dispenser
- ◆ 2 safety glass shelves
- ◆ 2 vegetable drawers
- ◆ 1 Fresh Zone
- ◆ 1 bottle holder
- ◆ Egg tray
- ◆ 3 door shelves
- ◆ 1 bottle door shelf
- ◆ Freezer: 225L
- ◆ Freezer booster
- ◆ Automatic defrost
- ◆ 3 drawers
- ◆ 4 freezer racks
- ◆ 2 Shelves
- ◆ Twist ice
- ◆ Freezing capacity 15kg/24 hours
- ◆ Freezer autonomy 10 hours

Water dispenser:

This fridge is equipped with a front water dispenser so you can have fresh water at any time during the day.



SEE USER MANUAL

FREESTANDING FRIDGE FREEZER

DFC6020DX – RIGHT-HAND OPENING FREESTANDING FRIDGE FREEZER

- ◆ Combined 366 litres
- ◆ Energy labelling: D Class
- ◆ Cabinet height 201cm
- ◆ LED lighting
- ◆ Climate class SN-T
- ◆ Noise level: 36 dB (A)
- ◆ Consumption: 200kW/year
- ◆ Built-in dimensions: H 2010 mm x W 595 mm x D 650 mm

- ◆ Fridge: 266L
- ◆ 4 functions: Refrigerator booster, Drink Cool Mode, Holidays, Eco
- ◆ Automatic defrost
- ◆ 3 safety glass shelves
- ◆ 1 vegetable drawer
- ◆ 1 freshzone
- ◆ Purebeam+
- ◆ Ultrafresh
- ◆ 1 bottle holder
- ◆ 1 cheese box
- ◆ Egg tray
- ◆ 3 door shelves
- ◆ 1 bottle door shelf
- ◆ Freezer: 100L
- ◆ Freezer booster
- ◆ Automatic defrost
- ◆ 2 drawers
- ◆ 2 Shelves
- ◆ Twist ice
- ◆ Freezing capacity 8kg/24 hours
- ◆ Freezer autonomy 10 hours

Purebeam+ technology:

Thanks to its filter which eliminates bad odors, and its UV light which eliminates 99.99% of bacteria and viruses, your refrigerator is sterilized and sanitized in only 40 minutes.



SEE USER MANUAL



DFC6020DX- Left hand opening

FREESTANDING FRIDGE FREEZER



DFC6021NA- LEFT HAND OPENING

DFC6020NA – RIGHT-HAND OPENING FREESTANDING FRIDGE FREEZER

- ◆ Combined 366 litres
 - ◆ Energy labelling: D Class
 - ◆ Cabinet height 201cm
 - ◆ LED lighting
 - ◆ Climate class SN-T
 - ◆ Noise level: 36 dB (A)
 - ◆ Consumption: 200kW/year
 - ◆ Built-in dimensions: H 2010 mm x W 840 mm x D 750 mm
-
- ◆ Fridge: 266L
 - ◆ 4 functions: Refrigerator booster, Drink Cool Mode, Holidays, Eco
 - ◆ Automatic defrost
 - ◆ 3 safety glass shelves
 - ◆ 1 vegetable drawer
 - ◆ 1 Fresh Zone
 - ◆ Purebeam+
 - ◆ Ultrafresh
 - ◆ 1 bottle holder
 - ◆ 1 cheese box
 - ◆ Egg tray
 - ◆ 3 door shelves
 - ◆ 1 bottle door shelf
-
- ◆ Freezer: 100L
 - ◆ Freezer booster
 - ◆ Automatic defrost
 - ◆ 2 drawers
 - ◆ 2 Shelves
 - ◆ Twist ice
 - ◆ Freezing capacity 8/24 hours
 - ◆ Freezer autonomy 10 hours

Maxi Fresh Preserver:

Thanks to its carbon filter, the Maxi Fresh Preserver allows you to preserve your fruits and vegetables up to 3 times longer.



SEE USER MANUAL

FREESTANDING FRIDGE FREEZER

DFC7092NA FREESTANDING FRIDGE FREEZER

- ◆ Combined 481 litres
 - ◆ Energy labelling: E Class
 - ◆ Cabinet height 192 cm
 - ◆ LED lighting
 - ◆ Climate class SN-T
 - ◆ Noise level: 41 dB (A)
 - ◆ Consumption: 287kW/year
 - ◆ Built-in dimensions: H 1920 mm x W 700 mm x D 712 mm
-
- ◆ Fridge: 344L
 - ◆ 4 functions: Refrigerator booster, Drink Cool Mode, Holidays, Eco
 - ◆ Automatic defrost
 - ◆ 3 safety glass shelves
 - ◆ 1 vegetable drawer
 - ◆ 1 Maxi Fresh Preserver
 - ◆ 1 Fresh Zone
 - ◆ Purebeam+
 - ◆ Ultrafresh
 - ◆ 1 bottle holder
 - ◆ 1 cheese box
 - ◆ Egg tray
 - ◆ 3 door shelves
 - ◆ 1 bottle door shelf
-
- ◆ Freezer: 137L
 - ◆ Freezer booster,
 - ◆ Automatic defrost
 - ◆ 1 freezing with flap
 - ◆ 2 drawers
 - ◆ Twist ice
 - ◆ Freezing capacity 8kg/24 hours
 - ◆ Freezer autonomy 14 hours

Fresh zone:

Located in the coldest area of the fridge, this drawer allows you to store delicate foods such as meat or fish at the ideal temperature, to quickly cool drinks or even to gradually defrost food.



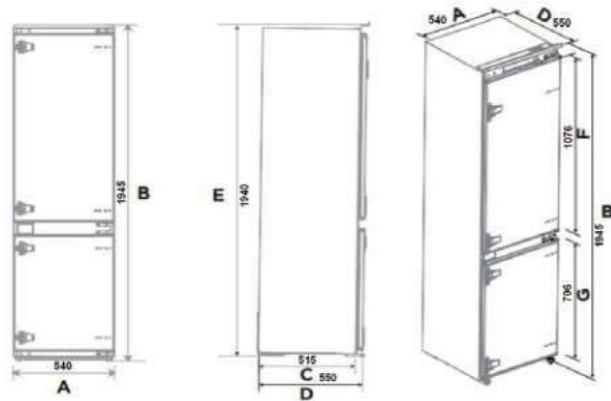
SEE USER MANUAL



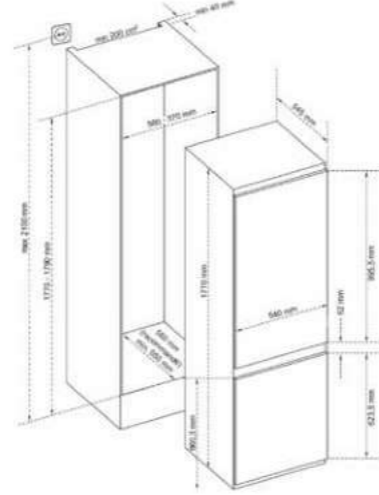
DFC7092NA

INSTALLATION DIAGRAMS

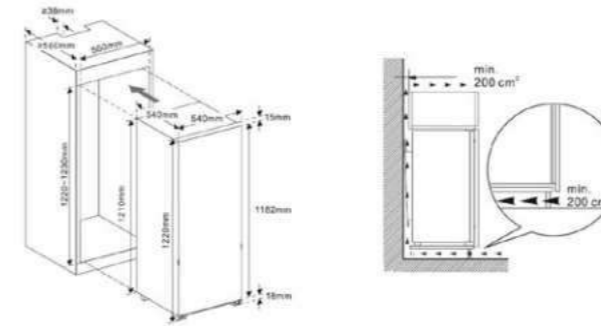
FREEZER 194 CM
DRC9455EN



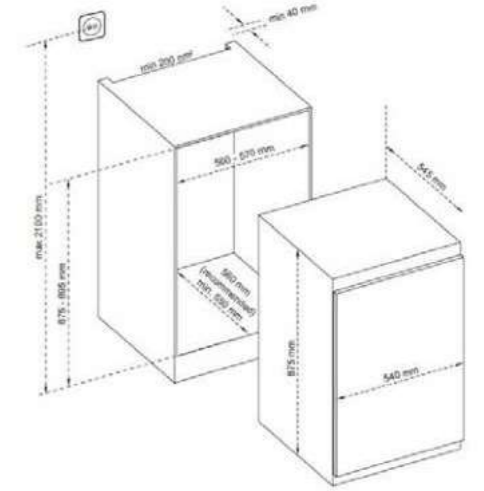
FRIDGE FREEZERS 177 CM
DRC1775EN, DRC1775ED, DRC1771EN



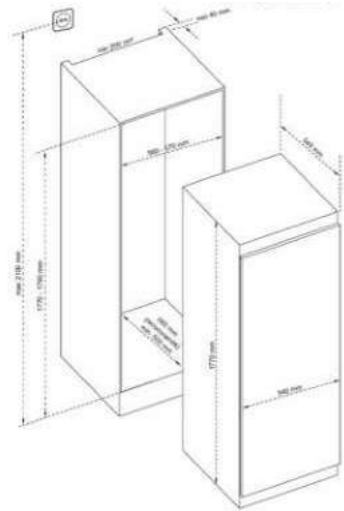
BUILT-IN LARDER SINGLE DOORS 122 CM
DRL1220ES



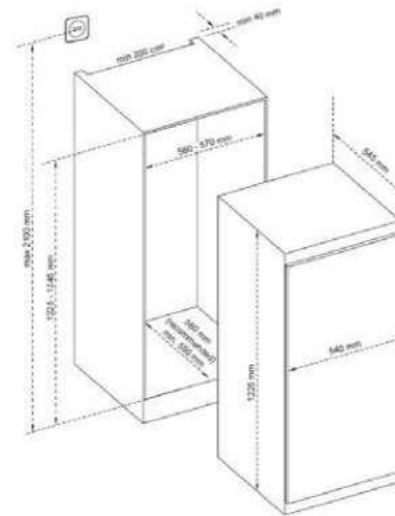
BUILT-IN LARDER SINGLE DOORS 87.5 CM
DRL880ES, DRL880ED



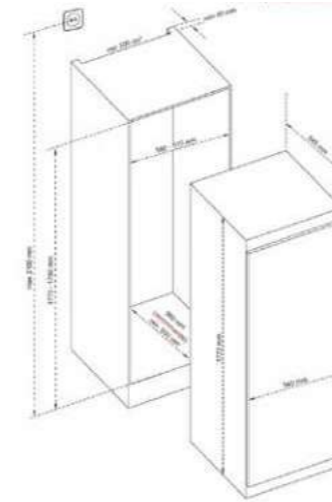
BUILT-IN LARDER SINGLE DOOR 177 CM
DRL1770EB, DRL1770ED



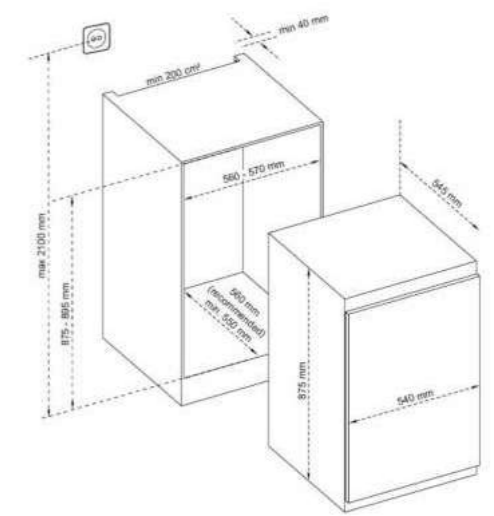
BUILT-IN SINGLE DOORS 122.5 CM
DRS1244ED



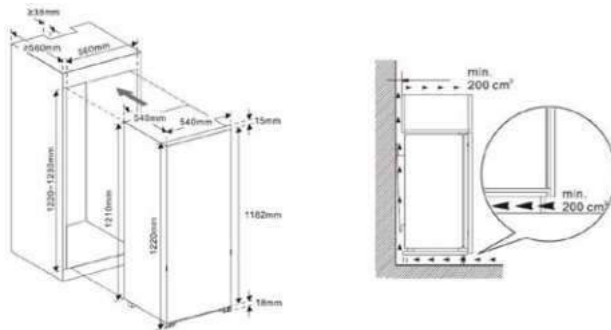
UPRIGHT FREEZER 177 CM
DFU1781EN, DFU1781ED



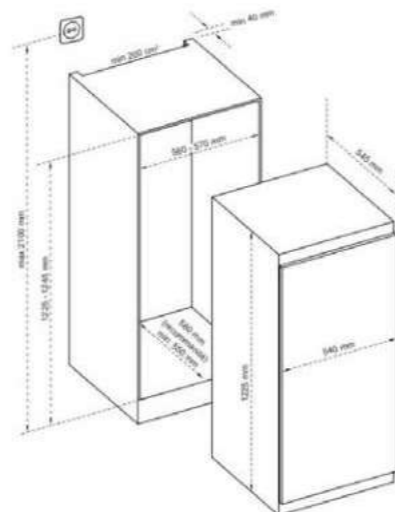
UPRIGHT FREEZER 87 CM
DFU884ES



BUILT-IN SINGLE DOORS 122 CM
DRS1224ES



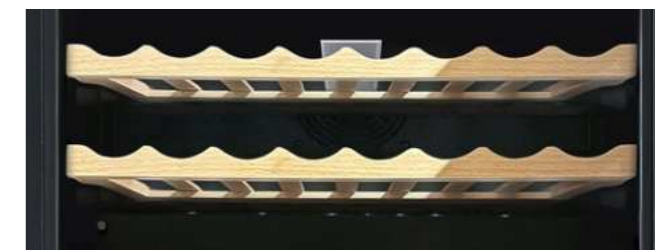
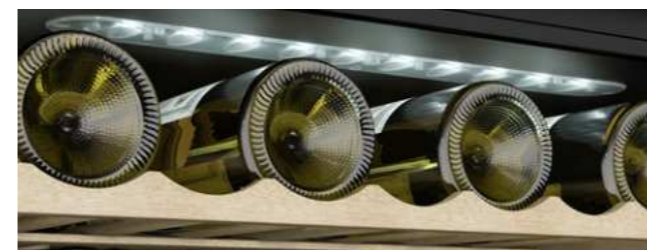
BUILT-IN LARDER SINGLE DOORS 122.5 CM
DRL1247ES, DRS1247ES, DRL1240ED



FRENCH DESIGN AND ART OF LIVING

WINE CELLARS

Some objects immediately stand out as the benchmark of French art of living. With their remarkable quality and sleek design, these new wine cellars by De Dietrich in the Infinite Black collection enhance emotions and instantly trigger desire. Combining modernity and tradition, know-how and innovation, they undoubtedly meet all the conditions required for the storage and ageing of grands crus. Enthusiasts will love it...



Design in black major.

Discover these new luxury items designed with the utmost refinement, combining the finest materials with the ultimate elegance. As part of a new art of living, they are in line with current trends and fit seamlessly into your kitchen. Their dimensions have been designed to be perfectly in line with the 45 and 60 cm niche units. Their flawless profile is thought to take up a prominent place alongside the De Dietrich cooking collection, or to be placed in any other privileged space for a perfect tasting experience.

Touch-sensitive controls. Uncompromising refinement.

An aesthete and a connoisseur, you are looking for the most beautiful cabinet for your precious bottles, and you want to showcase them before enjoying... Fall under the spell of De Dietrich wine cellars. **Their lines, highlighted by their stunning glass door and front fascia,** appeal to the sense of touch as much as that of sight. The stripped-down interface is in tune with intuitive use. You just have to tap the **touch-sensitive controls**, to reveal the **subtle backlit LED display**; they will allow you to manage temperatures precisely and ensure that all conditions are met for optimum storage. More than ever, our wine cellars are the mirror of this new art of living, an invitation to share and enjoy.

Push-to-Open opening. The epitome of elegance.

The majority of our wine cellars feature a flawless design, but here the elegance is pushed to the limit with the no-handle glass door. Thanks to the **electronically assisted Push-to-open system**, a light tap on the dedicated key is all it takes for the door to open or close smoothly. The ultimate comfort that leaves you free and confident to store or retrieve one of your best wines.

Regulated temperatures to play the ultimate symphony.

Your reserve of good wines includes grands crus and the enthusiast in you wants to wait to taste them at their very best... To store and age your best bottles of wine by the rulebook, preserving their unique flavours and aromas, rely on the Brand's unrivalled expertise, and on its new wine cellars. Electronics reign supreme here, providing a **constant temperature** with all the precision required to ensure optimum storage and tasting conditions... Managed and **regulated between 5° and 20°C**, the actual temperature inside the cellar is permanently displayed on the digital screen for better control. Some models offer **two completely independent and individually adjustable zones**, so you can fine-tune the temperature to the exact degree required for your wines: for instance, a cool zone between 6°C and 11°C for champagne, and a zone between 12°C and 18°C for Bordeaux grand crus. Depending on your needs, your wine cellar can be used to age your wine at between 12°C and 18°C or for temporary storage. Get a taste of excellence to successfully orchestrate all your dinners in perfect harmony.

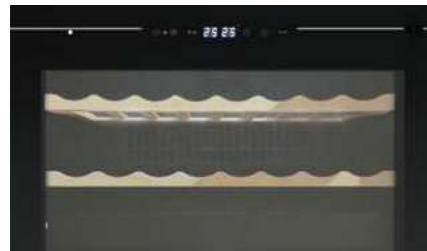
LED lighting. Showcase your grands crus.

De Dietrich has opted for LED lighting, which provides a **soft, gradual brightness** in your cellar without altering the quality of your wines over time. Do you still have this excellent Sancerre to complement your cheese platter? The warm and inviting atmosphere of your De Dietrich wine cellar will allow you to shine a light without having to open the door in order to play the perfect sommelier...



Dedicated spaces and technology. A music score with no wrong notes.

Cutting-edge design and expertise. De Dietrich wine cellars reflect the exacting standards of aesthetes, leading wine merchants and master sommeliers. Explore and share the captivating subtleties of De Dietrich wine cellars. Their technology will ensure that your passion for wine and gastronomy remains intact.



◆ **Anti-UV glass door.**

A perfect blend of technology and aesthetics: while the glass door enhances its exquisite contents, its treatment filters out the ultraviolet rays that can cause irreversible oxidation of tannins.

◆ **Anti-Vibration System.**

Nothing can interfere with the storage and ageing of your wine: the motor mounted on Silent Blocks guarantees your cellar's exceptional stability and protects it from any vibrations that could ruin the appearance and taste of wines.



◆ **Anti-tilt wooden honeycomb shelves.**

Depending on the model, the compartment with its various wooden shelves can hold up to 46 bottles, ensuring that each one is perfectly protected. Their unique honeycomb design is signed De Dietrich and provides unequalled ease of storage. Very stable, they will slide out of the device without tipping over.

◆ **Activated carbon filter (depending on model).**

A healthy, odour-free environment optimises wine storing. Some models are equipped with an active carbon filter which, combined with the fan, completely eliminates unpleasant odours and bacteria in the wine cellar, to purify the air for many months.



◆ **Hygrometer (depending on model).**

Humidity plays a vital role in wine ageing and storing: this is the reason why De Dietrich has integrated on its shelves a sensor that analyses the humidity level in the ambient air. With well-controlled humidity, you will enjoy your wines in the best possible conditions, whether they are intended to be enjoyed soon, or to be stored for many years.

◆ **Temperature/Open Door Alarm.**

To ensure optimal conditions at all times, your wine cellar alerts you when the temperature no longer matches the selected setting or if there is a difference of plus or minus 5 degrees.

**DUW20FB
WINE AGING CELLAR**

- ◆ Built under
 - ◆ Up to 20 bottles
 - ◆ Fan assisted cold
 - ◆ Electronic temperature management
 - ◆ Anti-vibration system
 - ◆ Wood shelves
 - ◆ Integrated hygrometer on the shelf
 - ◆ Removable and anti-tip shelf
 - ◆ Interior light
-
- ◆ Front panel touch controls
 - ◆ Temperature display
 - ◆ Glass equipped with UV filter
 - ◆ Built-in dimensions: H 825 mm x W 300 mm x D 575 mm



DUW20FB

Hygrometer:

To monitor the preservation of wine in optimum conditions, the hygrometer, integrated into the rack, is an essential tool for measuring the humidity level in the cellar to ensure that it corresponds to the ideal setting for the wine.



SEE USER MANUAL

WINE AGING CELLAR



DUW46DFB

DUW46DFB WINE AGING CELLAR

- ◆ Built under
- ◆ Up to 46 bottles
- ◆ Fan assisted cold
- ◆ Electronic temperature management
- ◆ Anti-vibration system
- ◆ Wood shelves
- ◆ Integrated hygrometer on the shelf
- ◆ Interior light
- ◆ Push to open door
- ◆ Front panel touch controls
- ◆ Temperature display
- ◆ Glass equipped with UV filter
- ◆ Built-in dimensions: H 825 mm x W 600 mm x D 575 mm

Front panel touch controls:

Thanks to the touch buttons, no need to open your wine cellar to manage it. The white LED digital display offers an elegant design and precise information. You can also illuminate your cellar without opening the door to showcase your wine collection.



SEE USER MANUAL

WINE SERVICE CELLAR



DIW36DFB

DIW36DFB WINE SERVICE CELLAR

- ◆ Built-in
- ◆ Up to 36 bottles
- ◆ Fan assisted cold
- ◆ Electronic temperature management
- ◆ Anti-vibration system
- ◆ Wood shelves
- ◆ Removable shelf
- ◆ Interior light
- ◆ Push to open door
- ◆ Front panel touch controls
- ◆ Temperature display
- ◆ Glass equipped with UV filter
- ◆ Built-in dimensions: H 590 mm x W 560 mm x D 550 mm

Dual Zone:

The dual-zone wine cellar allows you to adjust the temperature independently depending on the type of wine, so that it can be preserved according to its characteristics (red wine, white wine, rosé wine).



SEE USER MANUAL

WINE SERVICE CELLAR



DIW28FB

DIW28FB WINE SERVICE CELLAR

- ◆ Built-in
 - ◆ Up to 28 bottles
 - ◆ Fan assisted cold
 - ◆ Electronic temperature management
 - ◆ Anti-vibration system
 - ◆ Wood shelves
 - ◆ Removable shelf
 - ◆ Interior light
-
- ◆ Push to open door
 - ◆ Front panel touch controls
 - ◆ Temperature display
 - ◆ Glass equipped with UV filter
 - ◆ Built-in dimensions: H 450 mm x W 560 mm x D 550 mm

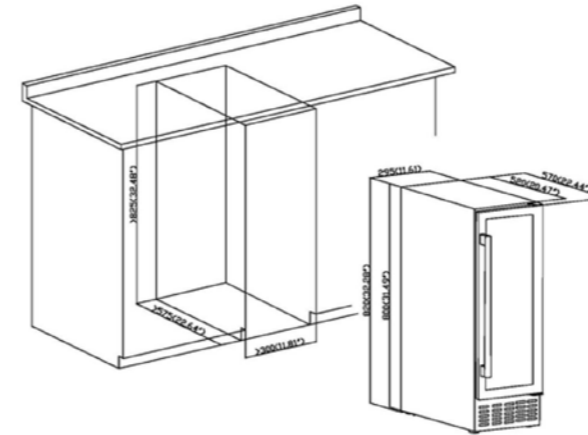
Alveolar shelf:
In addition to the anti-tilt and removable shelf system that ensures the stability and safety of your bottles, the alveolar shelf design offers unmatched ergonomic storage and ease of use



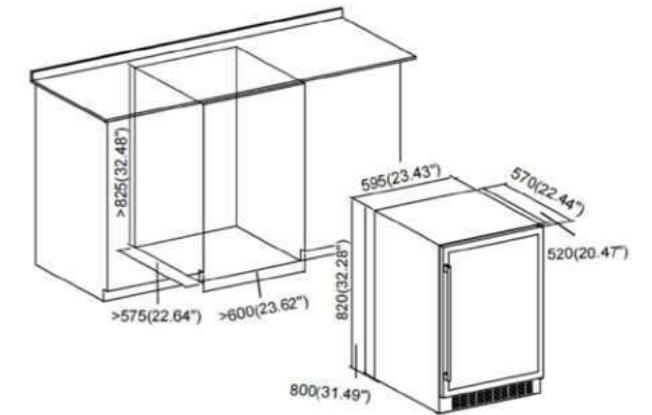
SEE USER MANUAL

WINE AGING CELLAR INSTALLATION DIAGRAMS

DUW20FB

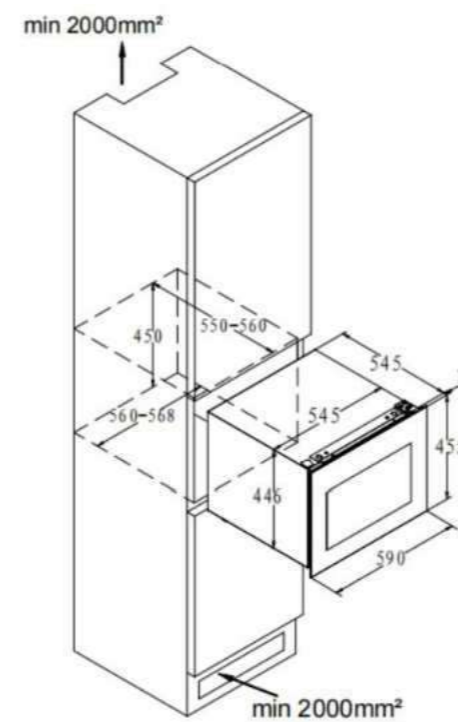


DUW46DFB



WINE SERVICE CELLAR INSTALLATION DIAGRAMS

DIW28FB



DIW36DFB

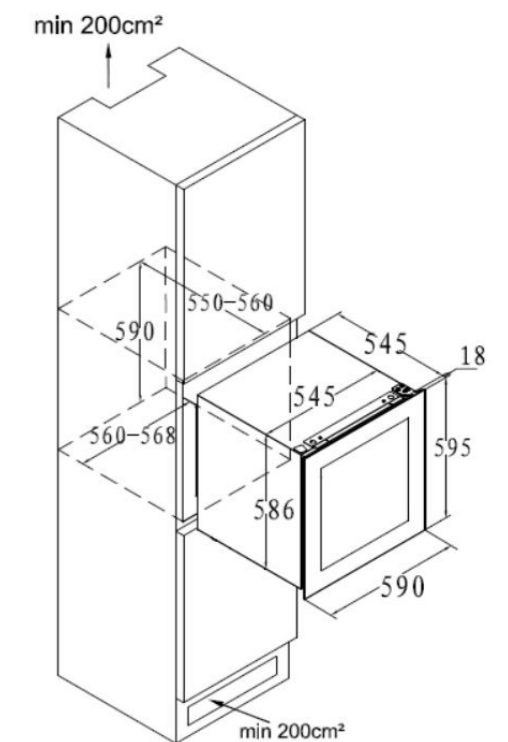


TABLE OF CONTENTS

TECHNICAL SPECIFICATIONS

252

• 60CM OVENS

255

• 60CM COMBI STEAM OVENS

256

• 45CM OVENS

257

• MICROWAVES

259

• COFFEE MACHINE

260

• DRAWERS

261

• PERFECT SENSOR INDUCTION HOBS

264

• INDUCTION HOBS

268

• VENTING HOBS

269

• MIXED HOBS

270

• VITROCERAMIC HOBS

271

• GAS HOBS

272

• STAINLESS STEEL HOBS
AND ENAMEL HOBS

273

• DOMINOS HOBS

274

• HOODS

279

• FULL BUILT-IN DISHWASHERS

283

• WASHING MACHINES

284

• DRYER AND WASHER DRYER

285

• BUILT-IN FRIDGE FREEZERS

286

• BUILT-IN LARDER SINGLE DOORS

288

• BUILT-IN SINGLE DOORS

289

• BUILT-IN UPRIGHT FREEZERS

290

• FREESTANDING FRIDGE FREEZERS

291

• BUILT-IN WINE CELLARS

60CM OVENS

REFERENCES					
Heritage	DOP4756H	DOP4746HT	DOP4741H	DOP4556H	
Infinite Black	DOP4756B	DOP4746BT	DOP4741B	DOP4556B	
Master Black	DOP4756MB	DOP4755MB			
Stellar Steel	DOP4756X	DOP4746XT	DOP4741X	DOP4556X	
Eternal White	DOP4756W	DOP4746WT		DOP4556W	
PRODUCT SHEET					
Energy efficiency class	A+	A+	A+	A+	A+
Energy Efficiency Index (EEI) (kWh)	81.4	81.4	81.4	81.4	81.4
Energy consumption per cycle in conventional-traditional function (kWh)	0.7	0.7	0.7	0.7	0.7
Energy consumption per cycle in circulating heat function (kWh)	1.1	1.1	1.1	1.1	1.1
Standby consumption (W)	0.8	0.8	0.8	0.8	0.8
Cavity capacity (L)	73	73	73	73	73
Usable volume of the cavity	1	1	1	1	1
Oven type	Simple	Simple	Simple	Simple	Simple
Heating source(s)	Electrical	Electrical	Electrical	Electrical	Electrical
GENERAL FEATURES					
Cooking mode	Multifunction +	Multifunction +	Multifunction +	Multifunction +	Multifunction +
Number of cooking functions	16	17	17	17	16
Cleaning mode	Pyrolytic / 3	Pyrolytic / 3	Pyrolytic / 3	Pyrolytic / 3	Pyrolytic / 3
Automatic cleaning Pyro-Control	Yes	Yes	Yes	Yes	No
Control type	Knob	Knob	Knob	Knob	Knob
Display type	Colour TFT Screen	Colour TFT Screen	Colour TFT Screen	Colour TFT Screen	White LCD screen
Temperature recommendation	Yes	Yes	Yes	Yes	Yes
Height tray recommendation	Yes	Yes	Yes	Yes	Yes
Ai World recipes	38 dishes	38 dishes	38 dishes	38 dishes	-
Ai French Pastry mode	14 dishes	14 dishes	14 dishes	14 dishes	-
Ai Culinary guide	53 dishes	53 dishes	53 dishes	53 dishes	53 dishes
Ai Mode Chef (100% automatic)	28 dishes	28 dishes	-	-	28 dishes
Ai Low temperature cooking	17 dishes	17 dishes	17 dishes	17 dishes	17 dishes
Shabbat	-	Yes	Yes	Yes	Yes
Drying	Yes	Yes	Yes	Yes	Yes
Connectivity	Yes	-	-	-	-
Wireless probe	-	-	-	-	-
Comfort	4 power variable grill	4 power variable grill	4 power variable grill	4 power variable grill	4 power variable grill
AutoStop System/Panel locking	No/Yes	No/Yes	No/Yes	No/Yes	No/Yes
OVEN					
Door	Cold door with 4 glasses	Cold door with 4 glasses	Cold door with 4 glasses	Cold door with 4 glasses	Cold door with 4 glasses
Inner door type	Sliding full glass	Sliding full glass	Sliding full glass	Sliding full glass	Removable full glass
Left upper light	Halogen 25W	Halogen 25W	Halogen 25W	Halogen 25W	Halogen 25W
Enamel	Grey Enamel	Grey Enamel	Grey Enamel	Grey Enamel	Grey Enamel
Grill	2,100W	2,100W	2,100W	2,100W	2,100W
ACCESSORIES					
Racks	6 levels - Chromed wire	6 levels - Chromed wire	6 levels - Chromed wire	6 levels - Chromed wire	6 levels - Chromed wire
Sliding system	100 % Telescopic	100 % Telescopic	Partial Telescopic	Partial Telescopic	Partial Telescopic
Half-grids	2	2	2	2	2
Flat Safety grids	2	2	2	2	2
45mm drip tray max.	1	1	1	1	1
Perforated tray 20mm	1	1	1	1	1
Tray 8mm	1	-	1	-	1
Soft close lock	Yes	Yes	Yes	Yes	Yes
DIMENSIONS - WEIGHT					
Built-in HxWxD (mm)	585X560X550	585X560X550	585X560X550	585X560X550	585X560X550
Unboxed HxWxD (mm)	592X592X609	592X592X609	592X592X609	592X592X609	592X592X609
Packed product HxWxD (mm)	670X640X660	670X640X660	670X640X660	670X640X660	670X640X660
Net weight (kg)/Gross weight (kg)	39.1/40.4	39.1/40.4	38.7/40	39.1/40.4	38.7/40
Delivered with cable	Yes 115cm	Yes 115cm	Yes 115cm	Yes 115cm	Yes 115cm
Connection	220-240V/50-60Hz/16A	220-240V/50-60Hz/16A	220-240V/50-60Hz/16A	220-240V/50-60Hz/16A	220-240V/50-60Hz/16A
EAN CODE					
Heritage	3660767993587	3660767992351	3660767993273	3660767993242	
Infinite Black	3660767993570	3660767993419	3660767993433	3660767993259	
Master Black	3660767997103	3660767993587			
Stellar Steel	3660767993563	3660767993426	3660767993440	3660767992207	
Eternal White		3660767993556		3660767993266	

60CM OVENS

REFERENCES					
Heritage	DOP4546HT	DOP4543H	DOH4541H	DOP4335H	
Infinite Black	DOP4546BT	DOP4543B	DOH4541B	DOP4335B	DOPH375B
Master Black					
Stellar Steel		DOP4543X	DOH4541X		DOPH375X
Eternal White					
PRODUCT SHEET					
Energy efficiency class	A+	A+	A+	A+	A+
Energy Efficiency Index (EEI) (kWh)	81.4	81.4	80.2	89.5	(N/A)
Energy consumption per cycle in conventional-traditional function (kWh)	0.70	0.70	0.69	0.70	0.70
Energy consumption per cycle in circulating heat function (kWh)	1.1	1.1	1.23	1.1	0.8
Standby consumption (W)	0.8	0.8	0.8	0.79	0.84
Cavity capacity (L)	73	73	73	73	73
Usable volume of the cavity	1	1	1	1	1
Oven type	Simple	Simple	Simple	Simple	Simple
Heating source(s)	Electrical	Electrical	Electrical	Electrical	Electrical
GENERAL FEATURES					
Cooking mode	Multifunction +	Multifunction +	Multifunction +	Multifunction +	Multifunction +
Number of cooking functions	16	16	14	11	11
Cleaning mode	Pyrolytic / 2	Pyrolytic / 2	Hydrolytic	Pyrolytic / 1	Pyrolytic + Hydrolytic
Automatic cleaning Pyro-Control	No	No	No	No	No
Control type	Knob	Knob	Knob	Knob	Knob
Display type	White LCD screen	White LCD screen	White LCD screen	White LED screen	White LED screen
Temperature recommendation	Yes	Yes	Yes	Yes	Yes
Height tray recommendation	Yes	Yes	Yes	Yes	Yes
Steam cooking	-	-	-	Yes / «Fish», «Poultry», «White meat»	Yes / «Fish», «Poultry», «White meat»
Ai World recipes	-	-	-	-	-
Ai French desserts	-	-	-	-	-
Ai Culinary guide	53 dishes	53 dishes	53 dishes	-	-
Ai Mode Chef (100% automatic)	-	-	-	-	-
Ai Low temperature cooking	17 dishes	17 dishes	17 dishes	-	-
Shabbat	Yes	Yes	Yes	-	-
Drying	Yes	Yes	Yes	-	-
Connectivity	-	-	-	-	-
Wireless probe	Yes	-	-	-	-
Comfort	4 power variable grill	4 power variable grill	4 power variable grill	4 power variable grill	4 power variable grill
AutoStop System/Panel locking	No/Yes	No/Yes	No/Yes	Yes/Yes	Yes/Yes
OVEN					
Door	Cold door with 4 glasses	Cold door with 4 glasses	Fanned door with 2 glasses	Cold door with 4 glasses	Cold door with 4 glasses
Inner door type	Removable full glass	Removable full glass	Removable full glass	Removable full glass	Removable full glass
Left upper light	Halogen 25W	Halogen 25W	Halogen 25W	Halogen 25W	Halogen 25W
Enamel	Grey Enamel	Grey Enamel	Grey Enamel	Grey Enamel	Grey Enamel
Grill	2,100W	2,100W	2,100W	2,100W	2,100W
ACCESSORIES					
Racks	6 levels - Chromed wire	6 levels - Chromed wire	6 levels - Chromed wire	6 levels - Chromed wire	6 levels - Chromed wire
Sliding system	Partial Telescopic	Partial Telescopic	Partial Telescopic	Partial Telescopic	-
Half-grids	2	2	2	-	-
Flat Safety grids	1	1	1	1	1
45mm drip tray max.	1	1	1	1	1
Perforated tray 20mm	1	-	-	-	-
Tray 8mm	-	1	-	1	-
Soft close lock	Yes	Yes	Yes	Yes	Yes
DIMENSIONS - WEIGHT					
Built-in HxWxD (mm)	585X560X550	585X560X550	585X560X550	585X560X550	585X560X550
Unboxed HxWxD (mm)	592X592X609	592X592X609	592X592X609	592X592X609	592X592X609
Packed product HxWxD (mm)	670X640X660	670X640X660	670X640X660	670X640X660	670X640X660
Net weight (kg)/Gross weight (kg)	38/39.3	38/39.4	34.9/36	36.6/38	33.2/34.5
Delivered with cable	Yes 115cm	Yes 115cm	Yes 115cm	Yes 115cm	Yes 115cm
Connection	220-240V/50-60Hz/16A	220-240V/50-60Hz/16A	220-240V/50-60Hz/16A	220-240V/50-60Hz/16A	220-240V/50-60Hz/16A
EAN CODE					
Heritage	3660767992214	3660767993211	3660767993297	3660767993068	
Infinite Black	3660767993235	3660767993228	3660767993280	3660767993051	3660767997301
Master Black					
Stellar Steel		3660767993204	3660767992184		3660767997318
Eternal White			3660767993556		3660767993266

60CM OVENS

REFERENCES	
Heritage	
Infinite Black	DOH4334B
Master Black	
Stellar Steel	
Eternal White	
PRODUCT SHEET	
Energy efficiency class	A
Energy Efficiency Index (EEI) (kWh)	89.5
Energy consumption per cycle in conventional-traditional function (kWh)	0.77
Energy consumption per cycle in circulating heat function (kWh)	0.92
Standby consumption (W)	0.94
Cavity capacity (L)	73
Usable volume of the cavity	1
Oven type	Simple
Heating source(s)	Electrical
GENERAL FEATURES	
Cooking mode	Multifunction
Number of cooking functions	11
Cleaning mode	Hydrolytic
Automatic cleaning Pyro-Control	No
Control type	Knob
Display type	White LED screen
Temperature recommendation	Yes
Height tray recommendation	?
Ai World recipes	-
Ai French desserts	-
Ai Culinary guide	-
Ai Mode Chef (100% automatic)	-
Ai Low temperature	-
Shabbat	-
Drying	-
Connectivity	-
Comfort	4 power variable grill
AutoStop System/Panel locking	Yes/Yes
OVEN	
Door	Fanned door with 2 glasses
Inner door type	Removable full glass
Left upper light	Halogen 25W
Enamel	Grey Enamel
Grill	2,100W
ACCESSORIES	
Racks	6 levels - Chromed wire
Sliding system	-
Half-grids	-
Flat safety grids	1
45mm drip tray max.	1
Soft close lock	No
DIMENSIONS - WEIGHT	
Built-in HxWxD (mm)	585X560X550
Unboxed HxWxD (mm)	592X592X608
Packed product HxWxD (mm)	670X640X660
Net weight (kg)/Gross weight (kg)	31/32.4
Delivered with cable	Yes 115cm
Connection	220-240V/ 50-60Hz/16A
EAN CODE	
Heritage	
Infinite Black	3660767993020
Master Black	
Stellar Steel	
Eternal White	

60CM COMBI STEAM OVENS

REFERENCES	
Heritage	
Infinite Black	DOR4546H / DOR4546HE
Master Black	DOR4546B
Stellar Steel	
Eternal White	
	DOR4546X
PRODUCT SHEET	
Energy efficiency class	A+
Energy Efficiency Index (EEI) (kWh)	81.4
Energy consumption per cycle in conventional-traditional function (kWh)	0.7
Energy consumption per cycle in circulating heat function (kWh)	1.1
Standby consumption (W)	0.8
Cavity capacity (L)	73
Usable volume of the cavity	1
Oven type	Simple
Heating source(s)	Electrical
GENERAL FEATURES	
Cooking mode	Steam combination
Number of cooking functions	24
Cleaning mode	Pyrolytic / 3
Automatic cleaning Pyro-Control	Yes
Control type	Knob
Display type	Colour TFT Screen
Temperature recommendation	Yes
Height tray recommendation	Yes
Ai Sous vide cooking	5 dishes
Ai Combi steam cooking	31 dishes
Ai 100% steam cooking	29 dishes
Ai Culinary guide	53 dishes
Ai Mode Chef (100% automatic)	-
Ai Low temperature	17 dishes
Shabbat	Yes
Drying	Yes
Connectivity	-
Comfort	4 power variable grill
AutoStop System/Panel locking	Yes/Yes
OVEN	
Door	Cold door with 4 glasses
Inner door type	Removable full glass
Left upper light	Halogen 25W
Enamel	Grey Enamel
Grill	2,100W
ACCESSORIES	
Racks	6 levels - Chromed wire
Sliding system	100 % Telescopic
Half-grids	2
Flat safety grids	2
45mm drip tray max.	1
Inox steam tray	1
Perforated tray 20mm	1
Tray 8mm	1
Soft close lock	Yes
DIMENSIONS - WEIGHT	
Built-in HxWxD (mm)	585X560X550
Unboxed HxWxD (mm)	592X592X609
Packed product HxWxD (mm)	670X640X660
Net weight (kg)/Gross weight (kg)	43.7/45
Delivered with cable	Yes 115cm
Connection	220-240V/ 50Hz/16A
EAN CODE	
Heritage	3660767993600
Infinite Black	3660767993617
Master Black	3660767993617
Stellar Steel	
Eternal White	

45CM OVENS

REFERENCES			
Heritage	DKR4741H	DKP4531H	DKV4530H
Infinite Black	DKR4741B	DKP4531B	DKV4530B
Master Black			
Stellar Steel		DKP4531X	DKV4530X
Eternal White			
PRODUCT SHEET			
Energy efficiency class	A	A	A
Energy Efficiency Index (EEI) (kWh)	94.4	94.4	(N/A)
Energy consumption per cycle in conventional-traditional function (kWh)	0.68	0.68	(N/A)
Energy consumption per cycle in circulating heat function (kWh)	1.01	1.01	(N/A)
Standby consumption (W)	0.8	0.8	0.8
Cavity capacity (L)	40	40	29
Usable volume of the cavity	1	1	1
Oven type	Simple	Simple	Steam
Heating source(s)	Electrical	Electrical	Electrical
GENERAL FEATURES			
Cooking mode	Multifunction +	Multifunction +	Steam
Number of cooking functions	18	11	4
Cleaning mode	Pyrolytic / 2	Pyrolytic / 2	Manual
Automatic cleaning Pyro-Control	No	No	No
Control type	Knob	Knob	Knob
Display type	Colour TFT Screen	White LCD screen	White LCD screen
Temperature recommendation	Yes	Yes	No
Height tray recommendation	Yes	Yes	Yes
Ai Sous vide cooking	-	-	-
Ai Combi steam cooking	31 dishes	-	-
Ai 100% steam cooking	29 dishes	-	32 dishes
Ai Culinary guide	46 dishes	46 dishes	-
Auto mode	-	-	Steam / Reheating / Defrosting
Ai Mode Chef (100% automatic)	-	-	-
Ai Low temperature	-	-	-
Shabbat	-	-	-
Drying	Yes	Yes	-
Connectivity	-	-	-
Comfort	-	-	-
AutoStop System/Panel locking	Yes/Yes	Yes/Yes	No/Yes
OVEN			
Door	Cold door with 4 glasses	Cold door with 4 glasses	Door with 1 glass
Inner door type	Removable full glass	Removable full glass	With shield
Left upper light	Halogen 25W	Halogen 25W	Halogen 25W
Enamel	Grey Enamel	Grey Enamel	Grey Enamel
Grill	1750W	1750W	-
ACCESSORIES			
Racks	3 levels - Enameled wire	3 levels - Enameled wire	?
Sliding system	-	-	-
Steam grid	-	-	1
Flat safety grids	1	1	-
45mm drip tray max.	1	1	-
Inox steam tray	1	-	1
Soft close lock	-	-	-
DIMENSIONS - WEIGHT			
Built-in HxWxD (mm)	450X560X550	450X560X550	450X560X550
Unboxed HxWxD (mm)	456X592X609	456X592X575	453X592X430
Packed product HxWxD (mm)	550X670X700	550X670X700	570X679X577
Net weight (kg)/Gross weight (kg)	35.8/39.4	33/36.2	21.6/24.6
Delivered with cable	Yes 145cm	Yes 150cm	Yes 105cm
Connection	220-240V/50Hz/16A	220-240V/50-60Hz/16A	220-240V/50-60Hz/10A
EAN CODE			
Heritage	3660767993716	3660767992450	3660767992467
Infinite Black	3660767992436	3660767997158	3660767997165
Master Black			
Stellar Steel		3660767993747	3660767993723
Eternal White			

MICROWAVES

REFERENCES	COMBI	COMBI	SOLO	SOLO
Heritage	DKC4756H	DKC4536H	DKE4535H	DKE4220H
Infinite Black	DKC4756B	DKC4536B	DKE4535B	DKE4220B
Master Black	DKC4756MB			
Stellar Steel	DKC4756X	DKC4536X	DKE4535X	DKE4220X
Eternal White	DKC4756W	DKC4536W		
PRODUCT SHEET				
Display	Colour TFT Screen	White LCD screen	White LCD screen	White LED screen
Drop down door	Yes	Yes	Yes	Yes
Volume (L)	40	40	40	40
Power MO (W)	1,000	1,000	1,000	1,000
Number of power levels	10	10	10	5
Circulating heat (W)	1,600	1,600	-	-
Folding grill (W)	1,750	1,750	-	-
Number of grill speeds	4	4	-	-
Number of memories	3	3	3	3
Quattro System	Yes	Yes	Yes	Yes
4 Wave outputs/Wave diffuser	Yes / Yes	Yes / Yes	Yes / Yes	Yes / Yes
Speed Defrost Programmes				
Removable turntable (cm)	36	36	36	36
Door open light	Yes	Yes	Yes	Yes
Light LED	1x1.5W	1x1.5W	1x1.5W	1x1.5W
Cavity	Enamelled	Enamelled	Enamelled	Enamelled
Combined microwave functions	3	3	-	-
Traditional cooking functions	3	3	-	-
Ai Defrosting guide	5	5	5	-
Ai Auto cook MW	15	15	5	-
Number of cooking functions	10	10	5	6 automatic functions
PANEL				
Electronic programming	Yes	Yes	Yes	Yes
Delayed start	-	Yes	-	-
Timer	Yes	Yes	Yes	Yes
Child safety	Yes	Yes	Yes	Yes
ACCESSORIES				
Chrome wire racks	3 levels	3 levels	-	-
Safety grid	1	1	-	-
Enamelled drip tray 45mm	1	1	-	-
DIMENSIONS - WEIGHT				
Built-in HxWxD (mm)	450X560X550	450X560X550	450X560X550	450X560X550
Unboxed HxWxD (mm)	456X592X620	456X592X628	456X592X628	456X592X628
Packed product HxWxD (mm)	550X670X700	550X670X700	550X660X700	550X660X700
Net weight (kg)/Gross weight (kg)	38.7/41.8	38.6/41.8	32.2/35.5	32/35.10
Delivered with cable	Yes 130cm	Yes 130cm	Yes 130cm	Yes 110cm
Connection	220-240V/50Hz/16A	220-240V/50Hz/16A	220-240V/50Hz/10A	220-240V/50Hz/10A
EAN CODE				
Heritage	3660767992429	3660767993624	3660767992405	3660767993709
Infinite Black	3660767993662	3660767992412	3660767997172	3660767993693
Master Black	3660767997141			
Stellar Steel	3660767993679	3660767993655	3660767992399	3660767992382
Eternal White	3660767993686	3660767993631		

MICROWAVES

REFERENCES	BUILT-IN/GRILL	BUILT-IN/GRILL	SOLO	SOLO
Heritage		DMG4210H	DME4310H	
Infinite black / Black	- / DMG2122A	DMG4210B / -	DME4310B /-	DME4320B /-
Master black		DMG4210MB		
Stellar Steel / Inox			- / DME4310X	
Eternal white / White	- / DMG2122W		- / DME4310W	
GENERAL FEATURES	White LCD screen	White LED screen	White LED screen	White LED screen
Display	Yes	Yes	Yes	Yes
Lateral opening	Yes	Yes	Yes	Yes
Volume (L)	25	25	26	26
Power MO (W)	900	900	900	900
Number of power levels	5	5	5	4
Number of grill speeds	TBC	TBC	TBC	TBC
Number of memories	TBC	TBC	3	TBC
Quattro System	-	-	Yes	Yes
4 Wave outputs/Wave diffuser	TBC / TBC	TBC / TBC	Yes / Yes	Yes / Yes
Speed Defrost Programmes	TBC	TBC	TBC	TBC
Removable turntable (cm)	31.5	31,5	30	30
Door open light	Yes	Yes	Yes	Yes
Light LED	1x1.5W	1x1.5W	1x1.5W	1x1.5W
Cavity	Inox	Inox	Inox	Inox
2 level cooking and reheating	(N/A)	(N/A)	No	Yes
Number of cooking functions	3	3	11	3
Autocook	Yes	Yes	Yes	Yes
Automatic cooking programmes	8	8	-	Yes
Auto defrost	-	-	Yes	Yes
Grill	Yes	Yes	-	-
Cooking modes	Grill/MW	Grill/MW	MW	MW
PANEL	Yes	Yes	Yes	Yes
Electronic programming	Yes	Yes	Yes	Yes
Control type	Sensitive touch controls	Knob	Knob	Sensitive touch controls
Timer	95min	95min	60min	60min
Child safety	Yes	Yes	Yes	Yes
DIMENSIONS - WEIGHT	380X560X500	380X560X500	380X560X550	380X560X550
Built-in HxWxD (mm)	388X595X401	TBC	390X592X480	390X592X480
Unboxed HxWxD (mm)	446X654X451	TBC	470X650X500	470X650X500
Packed product HxWxD (mm)	19/21	18/20	18.9/21.2	18.9/21.2
Net Weight/Gross Weight (Kg)	Yes 130cm	Yes 130cm	Yes 138cm	Yes 138cm
Delivered with cable	220-240V/ 50Hz/16A	220-240V/ 50Hz/16A	220-240V/ 50Hz/10A	220-240V/ 50Hz/10A
Connection	Yes	Yes	Yes	Yes
Full Built-in				
EAN CODE		3 660 767 998 988	3 660 767 992 504	
Heritage				
Infinite black / Black	- / 3 660 767 986 428	3 660 767 998 995 / -	3 660 767 992 511 / -	3 660 767 992 481 / -
Master black		DMG4210MB		
Stellar Steel / Inox			- / 3 660 767 992 498	
Eternal white / White	- / 3 660 767 986 411		- / 3 660 767 992 528	

COFFEE MACHINE

REFERENCES	DKD7400A
Absolute Black	
FUNCTIONS	
On/Off touch	Yes
Temperature display	Yes
Coffee quantity display	Yes
Coffee distribution touch	Yes
Water or steam distribution touch	Yes
Knob for steam	Yes
Alarm indicator for coffee level	Yes
Alarm indicator for water level	Yes
Cappuccino function	Yes
Macchiato function	Yes
PROGRAMMING	
Adjusting the dose of coffee (short, medium, long)	Yes
Adjusting the temperature of coffee	Yes
Adjusting the temperature of water	Yes
Adjusting the temperature of steam	Yes
Adjusting the grinding coffee fineness control	Yes
GENERAL FEATURES	
Cleaning mode	Manual
Pump power (W)	50
Coffee heating system power (W)	1,200
Steam heating system power (W)	1,000
Pump pressure	15 bar
Water tank capacity (L)	1.8
Coffee tank capacity (kg)	0.200
Maximum power (W)	1,350
DIMENSIONS - WEIGHT	
Built-in HxWxD (mm)	455X595X330
Packed product HxWxD (mm)	540X660X510
Net weight (kg)/Gross weight (kg)	24/27.5
Delivered with cable	Yes/180 cm
Connection	220-240V/50-60Hz/10A
EAN CODE	
Absolute Black	3660767967380

DRAWERS

REFERENCES			
Heritage			
Infinite Black			
Master Black			
Stellar Steel			
Eternal White			
FUNCTIONS			
Height	14 cm	14 cm	14 cm
Function	Professional sous vide drawer	Sous vide drawer	Keep warm drawer
Control type	Touch-sensitive	-	-
Opening system	Push pull	Push pull	Push pull
Telescopic rails	Yes	Yes	-
Temperature	-	-	From 30°C to 80°C
Number of programmes	4	-	-
Number of adjustable sous vide levels	4	-	-
Sealing levels	Minimum / Medium / Maximum	Manual	-
DIMENSIONS - WEIGHT			
Built-in HxWxD (mm)	140X595X612	140X595X557	140X595X525
Packed product HxWxD (mm)	225X645X645	225X645X645	225X645X645
Net weight (kg)/Gross weight (kg)	35.4/33.6	17.2/15.3	15.7/13.8
Delivered with cable	Yes/150 cm		Yes/150 cm
Connection	220-240V/50-60Hz/10A	220-240V/50-60Hz/10A	220-240V/50-60Hz/10A
Maximum power (W)	400	115	420
EAN CODE			
Heritage			
Infinite Black	3660767997691	3660767995598	3660767995574
Master Black			
Stellar Steel			
Eternal White			3660767995581

PERFECT SENSOR INDUCTION HOBS

REFERENCES	horiZone	horiZone	horiZone
Heritage			
Infinite Black			
Master Black			
Stellar Steel			
Eternal White			
Dark grey			
PRODUCT SHEET			
Width (cm)	80	65	65
Control type	Backlit buttons	TFT screen	Backlit buttons
Backlight	Yes	No	Yes
POWER / DIAMETER OF ZONES			
Left Free zone			
Dimensions (WxD in cm)	Induction	Induction	Induction
Max power (booster in W)	40x23	40x23	40x23
Power consumption (EC) Wh/kg	3,700	3,700	3,700
	180.2	180.2	180.2
Rear left			
Diameter (in mm)	-	-	-
Max power (booster in W)	-	-	-
Power consumption (EC) Wh/kg	-	-	-
Front left			
Diameter (in mm)	-	-	-
Max power (booster in W)	-	-	-
Power consumption (EC) Wh/kg	-	-	-
Right Free zone			
Dimensions (WxD in cm)	-	Induction	Induction
Max power (booster in W)	-	40x23	40x23
Power consumption (EC) Wh/kg	-	3,700	3,700
	-	180.2	180.2
Right			
Diameter (in mm)	-	-	-
Max power (booster in W)	-	-	-
Power consumption (EC) Wh/kg	-	-	-
Center			
Diameter (in mm)	Induction	-	-
Max power (booster in W)	280	-	-
Power consumption (EC) Wh/kg	3,700	-	-
	168.3	-	-
Rear right			
Diameter (in mm)	-	-	-
Max power (booster in W)	-	-	-
Power consumption (EC) Wh/kg	-	-	-
Front right			
Diameter (in mm)	Induction	-	-
Max power (booster in W)	160	-	-
Power consumption (EC) Wh/kg	2,400	-	-
	175.1	-	-
GENERAL FEATURES			
Number of cooking positions	20	20	20
Ai Culinary guide	-	Yes	Yes
Ai step by step recipes	-	Yes	-
Auto link	Yes	Yes	Yes
Blanch	-	Yes	Yes
Boil	Yes	Yes	Yes
Boost	Yes	Yes	Yes
Clean lock	Yes	Yes	Yes
Sous vide cooking	Yes	Yes	Yes
Melting	Yes	Yes	-
Simmer	Yes	Yes	Yes
Sear	Yes	Yes	Yes
Warm keeping	-	Yes	Yes
Slow cooking	Yes	-	-
Automatic pan detection	-	Yes	Yes
Elapsed time	-	Yes	Yes
Grill	-	Yes	Yes
ICS	-	Yes	Yes
Motion control	-	Yes	-
Power management	Yes	Yes	Yes
Recall	Yes	Yes	Yes
Low	-	-	-
Switch	-	Yes	Yes
Lock	-	Yes	Yes
Grill/plancha (horizone play)	Yes	-	-
Probe functions	Yes	Yes	Yes
Programmable and adjustable direct access level (per zone)	8	5	4
Number of timers 1 to 99 minutes	4	4	4
Timer direct access level (per zone)	Yes	Yes	Yes
SAFETY FEATURES			
Pack 10 safety features	Yes	Yes	Yes
DIMENSIONS - WEIGHT			
Built-in HxWxD (mm)	60X800X515	60X650X510	60X650X515
Unboxed HxWxD (mm)	-	-	-
Packed product HxWxD (mm)	170X940X600	140X750X600	140X750X600
Net weight (kg)/Gross weight (kg)	13.4/14.5	11.5/12.2	11.7/12.5
Delivered with cable	Yes/130 cm	Yes/130 cm	Yes/130 cm
Connection	220-240V/50-60Hz/32A	220-240V/50-60Hz/32A	220-240V/50-60Hz/32A
Electrical power (kW)	7.4	7.4	7.4
EAN CODE			
Heritage			
Infinite Black			
Master Black	3660767994799		3660767994676
Stellar Steel			
Eternal White			
Dark grey			
		3660767998056	

PERFECT SENSOR INDUCTION HOBS

REFERENCES	horiZone	-	horiZone
Heritage			DPI423OHT
Infinite Black	DPI4431BT	DPI4320BT	
Master Black			
Stellar Steel	DPI4431XT	DPI4320XT	
Eternal White			
PRODUCT SHEET			
Width (cm)	65	65	38
Control type	Touch-sensitive buttons	Touch-sensitive buttons	Touch-sensitive buttons
Backlight	No	No	No
POWER / DIAMETER OF ZONES			
Left Free zone			
Dimensions (WxD in cm)	Induction	-	-
Max power (booster in W)	40x23	-	-
Power consumption (EC) Wh/kg	3,700	-	-
Rear left			
Diameter (in mm)	-	Induction	-
Max power (booster in W)	-	230	-
Power consumption (EC) Wh/kg	-	3,700	-
Front left			
Diameter (in mm)	-	170.2	-
Max power (booster in W)	-	Induction	-
Power consumption (EC) Wh/kg	-	160	-
Right Free zone			
Dimensions (WxD in cm)	-	2,400	-
Max power (booster in W)	-	175.1	-
Power consumption (EC) Wh/kg	-	-	-
Right			
Diameter (in mm)	-	Induction	-
Max power (booster in W)	-	280	-
Power consumption (EC) Wh/kg	-	3,700	-
Center			
Diameter (in cm)	-	-	Induction
Max power (booster in W)	-	-	40x23
Power consumption (EC) Wh/kg	-	-	4,800
Rear right			
Diameter (in mm)	Induction	-	-
Max power (booster in W)	230	-	-
Power consumption (EC) Wh/kg	3,700	-	-
Front right			
Diameter (in mm)	170.2	-	-
Max power (booster in W)	Induction	-	-
Power consumption (EC) Wh/kg	160	-	-
GENERAL FEATURES			
Number of cooking positions	20	20	20
Ai Culinary guide	Yes	Yes	Yes
Ai Step by step recipes	-	-	-
Auto link	Yes	-	-
Blanch	Yes	Yes	Yes
Boil	Yes	Yes	Yes
Boost	Yes	Yes	Yes
Clean lock	Yes	Yes	Yes
Sous vide cooking	Yes	Yes	-
Melting	-	-	-
Simmer	Yes	Yes	Yes
Sear	Yes	Yes	Yes
Warm keeping	Yes	-	Yes
Slow cooking	-	-	-
Automatic pan detection	Yes	Yes	Yes
Elapsed time	Yes	Yes	Yes
Grill	Yes	-	-
ICS	Yes	Yes	Yes
Motion control	-	-	-
Power management	Yes	Yes	-
Recall	Yes	Yes	-
Low	-	Yes	-
Switch	Yes	Yes	-
Lock	Yes	Yes	Yes
Grill/plancha (horizone play)	-	-	-
Probe functions	Yes	Yes	Yes
Programmable and adjustable direct access level (per zone)	4	3	4
Number of timers 1 to 99 minutes	4	3	2
Timer direct access level (per zone)	Yes	Yes	Yes
SAFETY FEATURES			
Pack 10 safety features	Yes	Yes	Yes
DIMENSIONS - WEIGHT			
Built-in HxWxD (mm)	60X650X515	60X650X515	60X380X515
Unboxed HxWxD (mm)	-	-	-
Packed product HxWxD (mm)	140X750X600	140X750X600	175X395X595
Net weight (kg)/Gross weight (kg)	11.7/12	11/11.7	6.7/9.6
Delivered with cable	-	-	Yes/130 cm
Connection	220-240V/50-60Hz/32A	220-240V/50-60Hz/32A	220-240V/50-60Hz/16A
Electrical power (kW)	7.4	7.4	4.8
EAN CODE			
Heritage			3660767991507
Infinite Black	3660767994621	3660767994287	
Master Black			
Stellar Steel	3660767994638	3660767994270	
Eternal White			

INDUCTION HOBS

REFERENCES	horiZone	horiZone	horiZone	horiZone	-
Heritage					
Infinite Black	DPI4942B	DPI4932BP	DPI4832B	DPI4830B	
Master Black					
Stellar Steel					DPI4820X
Eternal White					
PRODUCT SHEET					
Width (cm)	90	90	80	80	80
Control type	Backlit buttons	Backlit buttons	Backlit buttons	Backlit buttons	Capacitive buttons
Backlight	Yes	Yes	Yes	No	No
POWER / DIAMETER OF ZONES					
Left Free zone					
Dimensions (WxD in cm)	Induction	Induction	-	Induction	-
Max power (booster in W)	40x23	40x23	-	40x23	-
Power consumption (EC) Wh/kg	3,700	3,700	-	3,700	-
Rear left					
Diameter (in mm)	-	-	Induction	-	Induction
Max power (booster in W)	-	-	160	-	230
Power consumption (EC) Wh/kg	-	-	2,400	-	3,700
Front left					
Diameter (in mm)	-	-	182.5	-	170.2
Max power (booster in W)	-	-	Induction	-	Induction
Power consumption (EC) Wh/kg	-	-	180	-	160
Right Free zone					
Dimensions (WxD in cm)	-	-	2,800	-	2,400
Max power (booster in W)	-	-	169.2	-	175.1
Power consumption (EC) Wh/kg	-	-	-	-	-
Right					
Diameter (in mm)	Induction	-	Induction	-	-
Max power (booster in W)	40x23	-	40x23	-	-
Power consumption (EC) Wh/kg	3,700	-	3,700	-	-
Center					
Dimensions (WxD in cm)	180.2	-	180.2	-	-
Diameter (in mm)	-	-	-	-	-
Max power (booster in W)	-	-	-	-	-
Power consumption (EC) Wh/kg	-	-	-	-	-
Rear right					
Diameter (in mm)	Induction	Induction	Induction	Induction	-
Max power (booster in W)	40x23	300	280	280	-
Power consumption (EC) Wh/kg	180.2	169.9	168.3	168.3	-
Front right					
Diameter (in mm)	-	Induction	-	-	Induction
Max power (booster in W)	-	230	-	-	280
Power consumption (EC) Wh/kg	-	3,700	-	-	3,700
GENERAL FEATURES					
Number of cooking positions	180.2	169.9	168.3	168.3	-
Ai Culinary guide	-	Induction	-	-	Induction
Ai Step by step recipes	-	230	-	-	280
Auto link	-	3,700	-	-	3,700
Blanch	-	170.2	-	-	168.3
Boil	-	Induction	-	-	Induction
Boost	-	160	-	-	160
Clean lock	-	2,400	-	-	2,400
Sous vide cooking	-	175.1	-	-	175.1
Melting	20	20	20	20	20
Simmer	-	-	-	-	-
Sear	-	-	-	-	-
Warm keeping	Yes	Yes	Yes	Yes	Yes
Slow cooking	-	-	-	-	-
Automatic pan detection	-	-	-	-	-
Elapsed time	-	-	-	-	-
Grill	-	-	-	-	-
ICS	-	-	-	-	-
Motion control	-	-	-	-	-
Power management	Yes	Yes	Yes	Yes	Yes
Recall	-	-	-	-	-
Low	-	-	-	-	-
High	-	-	-	-	-
Switch	-	-	-	-	-
Lock	-	-	-	-	-
Grill/plancha (horizone play)	Yes	Yes	Yes	Yes	-
Probe functions	-	-	-	-	-
Programmable and adjustable direct access level (per zone)	4	4	4	4	4
Number of timers 1 to 99 minutes	6	5	5	4	4
Timer direct access level (per zone)	6	5	5	4	4
SAFETY FEATURES					
Pack 10 safety features	Yes	Yes	Yes	Yes	Yes
DIMENSIONS - WEIGHT					
Built-in HxWxD (mm)	60X930X515	60X930X515	60X800X515	60X800X515	60X800X515
Unboxed HxWxD (mm)	-	-	-	-	-
Packed product HxWxD (mm)	140X1150X610	140X1150X610	170X940X600	170X950X600	170X940X600
Net weight (kg)/Gross weight (kg)	17.95/20.4	18/20	15.65/16.70	13.4/14.4	13/14
Delivered with cable	-	-	Yes/130	Yes/130	Yes/130
Connection	220-240V/50-60Hz/0A	220-240V/50-60Hz/0A	220-240V/50-60Hz/32A	220-240V/50-60Hz/32A	220-240V/50-60Hz/32A
Electrical power (kW)	11.1	11.1	7.4	7.4	7.4
EAN CODE					
Heritage					
Infinite Black	3660767994881	3660767998032	3660767994805	3660767994775	
Master Black					
Stellar Steel					3660767994768
Eternal White					

INDUCTION HOBS

REFERENCES	horiZone	horiZone	horiZone	horiZone
Heritage				
Infinite Black	DPI4810B		DPI4442B	DPI4432B
Master Black				
Stellar Steel				
Eternal White				
Dark grey		DPI4450G		
PRODUCT SHEET				
Width (cm)	80	65	65	65
Control type	Touch-sensitive buttons	TFT screen	Backlit buttons	Backlit buttons
Backlight	No	No	Yes	Yes
POWER / DIAMETER OF ZONES				
Left Free zone	Induction	Induction	Induction	Induction
Dimensions (WxD in cm)	40x23	40x23	40x23	40x23
Max power (booster in W)	3,700	3,700	3,700	4,600
Power consumption (EC) Wh/kg	180.2	180.2	180.2	-
Rear left	-	-	-	-
Diameter (in mm)	-	-	-	-
Max power (booster in W)	-	-	-	-
Power consumption (EC) Wh/kg	-	-	-	-
Front left	-	-	-	-
Diameter (in mm)	-	-	-	-
Max power (booster in W)	-	-	-	-
Power consumption (EC) Wh/kg	-	-	-	-
Right Free zone	-	Induction	Induction	-
Dimensions (WxD in cm)	-	40x23	40x23	-
Max power (booster in W)	-	3,700	3,700	-
Power consumption (EC) Wh/kg	-	180.2	180.2	-
Right	-	-	-	-
Diameter (in mm)	-	-	-	-
Max power (booster in W)	-	-	-	-
Power consumption (EC) Wh/kg	-	-	-	-
Center	-	-	-	-
Diameter (in mm)	-	-	-	-
Max power (booster in W)	-	-	-	-
Power consumption (EC) Wh/kg	-	-	-	-
Rear right	Induction	-	-	Induction
Diameter (in mm)	280	-	-	230
Max power (booster in W)	3,700	-	-	3,700
Power consumption (EC) Wh/kg	166.4	-	-	170.2
Front right	Induction	-	-	Induction
Diameter (in mm)	160	-	-	160
Max power (booster in W)	2,400	-	-	2,400
Power consumption (EC) Wh/kg	177.2	-	-	175.1
GENERAL FEATURES				
Number of cooking positions	15	20	20	20
Ai Culinary guide	-	Yes	Yes	Yes
Ai Step by step recipes	-	Yes	-	-
Auto link	-	Yes	Yes	Yes
Blanch	-	Yes	Yes	Yes
Boil	Yes	Yes	Yes	Yes
Boost	Yes	Yes	Yes	Yes
Clean lock	-	Yes	Yes	Yes
Sous vide cooking	-	-	-	-
Melting	-	Yes	-	-
Simmer	Yes	Yes	Yes	Yes
Sear	Yes	Yes	Yes	Yes
Warm keeping	Yes	Yes	Yes	Yes
Slow cooking	-	-	-	-
Automatic pan detection	Yes	Yes	Yes	Yes
Elapsed time	Yes	Yes	Yes	Yes
Grill	-	Yes	Yes	Yes
ICS	Yes	-	Yes	Yes
Motion control	-	Yes	-	-
Power management	-	Yes	Yes	Yes
Recall	Yes	Yes	Yes	Yes
Low	-	-	-	-
High	-	-	-	-
Switch	Yes	Yes	Yes	Yes
Lock	-	Yes	Yes	Yes
Grill/plancha (horizone play)	-	-	-	-
Probe functions	-	-	-	-
Programmable and adjustable direct access level (per zone)	4	5	4	4
Number of timers 1 to 99 minutes	4	4	4	4
Timer direct access level (per zone)	4	4	4	4
SAFETY FEATURES				
Pack 10 safety features	Yes	Yes	Yes	Yes
DIMENSIONS - WEIGHT				
Built-in HxWxD (mm)	60X800X515	60X650X510	60X650X515	60X650X515
Unboxed HxWxD (mm)	-	-	-	-
Packed product HxWxD (mm)	170X940X600	140X750X600	140X750X600	140X750X600
Net weight (kg)/Gross weight (kg)	13.55/14.60	11.2/12	11.5/12	11.5/14.2
Delivered with cable	Yes/130 cm	Yes/130 cm	Yes/130 cm	Yes/130 cm
Connection	220-240V/50-60Hz/32A	220-240V/50-60Hz/32A	220-240V/50-60Hz/32A	220-240V/50-60Hz/32A
Electrical power (kW)	7.4	7.4	7.4	7.4
EAN CODE				
Heritage				
Infinite Black	3660767994737		3660767994690	3660767994645
Master Black				
Stellar Steel				
Eternal White				
Dark grey		3660767998049		

INDUCTION HOBS

REFERENCES	horiZone	horiZone	horiZone	horiZone	horiZone
Heritage					
Infinite Black	DPI4431H	DPI4420H			
Master Black	DPI4431B	DPI4420B	DPI4411B	DPI4410B	DPI4400B
Stellar Steel					
Eternal White					
Dark grey					
PRODUCT SHEET					
Width (cm)	65	65	65	65	65
Control type	Touch-sensitive buttons	Touch-sensitive buttons	Touch-sensitive buttons	Touch-sensitive buttons	Touch-sensitive buttons
Backlight	No	No	No	No	No
POWER / DIAMETER OF ZONES					
Left Free zone	Induction	-	Induction	Induction	-
Dimensions (WxD in cm)	40x23	-	40x23	37x18	-
Max power (booster in W)	4,600	-	3,700	3,700	-
Power consumption (EC) Wh/kg	-	-	180.2	-	-
Rear left	-	Induction	-	-	Induction
Diameter (in mm)	-	180	-	-	180
Max power (booster in W)	-	2,800	-	-	2,800
Power consumption (EC) Wh/kg	-	169.2	-	-	172
Front left	-	Induction	-	-	Induction
Diameter (in mm)	-	180	-	-	180
Max power (booster in W)	-	2,800	-	-	2,800
Power consumption (EC) Wh/kg	-	169.2	-	-	172
Right Free zone	-	-	-	-	-
Dimensions (WxD in cm)	-	-	-	-	-
Max power (booster in W)	-	-	-	-	-
Power consumption (EC) Wh/kg	-	-	-	-	-
Right	-	-	-	-	-
Diameter (in mm)	-	-	-	-	-
Max power (booster in W)	-	-	-	-	-
Power consumption (EC) Wh/kg	-	-	-	-	-
Center	-	-	-	-	-
Diameter (in mm)	-	-	-	-	-
Max power (booster in W)	-	-	-	-	-
Power consumption (EC) Wh/kg	-	-	-	-	-
Rear right	Induction	Induction	Induction	Induction	Induction
Diameter (in mm)	230	230	230	230	230
Max power (booster in W)	3,700	3,700	3,700	3,100	3,100
Power consumption (EC) Wh/kg	170.2	170.2	170.2	171.9	171.9
Front right	Induction	Induction	Induction	Induction	Induction
Diameter (in mm)	160	160	160	160	160
Max power (booster in W)	2,400	2,400	2,400	2,000	2,000
Power consumption (EC) Wh/kg	175.1	182.5	175.1	180.8	180.8
GENERAL FEATURES					
Number of cooking positions	20	20	20	20	15
Ai Culinary guide	Yes	Yes	-	-	-
Ai Step by step recipes	-	-	-	-	-
Auto link	-	-	-	-	-
Blanch	Yes	Yes	-	-	-
Boil	Yes	Yes	Yes	Yes	Yes
Boost	Yes	Yes	Yes	Yes	Yes
Clean lock	Yes	Yes	Yes	Yes	Yes
Sous vide cooking	-	-	-	-	-
Melting	-	-	-	-	-
Simmer	Yes	Yes	Yes	Yes	Yes
Sear	Yes	Yes	Yes	Yes	Yes
Warm keeping	Yes	Yes	Yes	Yes	Yes
Slow cooking	-	-	-	-	-
Automatic pan detection	Yes	Yes	Yes	Yes	Yes
Elapsed time	Yes	Yes	Yes	Yes	Yes
Grill	Yes	-	-	-	-
ICS	Yes	Yes	Yes	Yes	Yes
Motion control	-	-	-	-	-
Power management	Yes	Yes	-	-	-
Recall	Yes	Yes	Yes	Yes	Yes
Low	-	-	-	-	-
High	-	-	-	-	-
Switch	Yes	Yes	Yes	Yes	Yes
Lock	Yes	Yes	Yes	Yes	Yes
Grill/plancha (horizone play)	-	-	-	-	-
Probe functions	-	-	-	-	-
Programmable and adjustable direct access level (per zone)	4	4	4	4	4
Number of timers 1 to 99 minutes	4	4	4	4	4
Timer direct access level (per zone)	4	4	4	4	4
SAFETY FEATURES					
Pack 10 safety features	Yes	Yes	Yes	Yes	Yes
DIMENSIONS - WEIGHT					
Built-in HxWxD (mm)	60X650X515	60X650X515	60X650X515	60X650X515	60X650X515
Unboxed HxWxD (mm)	-	-	-	-	-
Packed product HxWxD (mm)	140X750X600	140X750X600	140X750X600	140X750X600	140X750X600
Net weight (kg)/Gross weight (kg)	11.5/12	10.7/11.7	11.5/12	11/11.5	11/11.5
Delivered with cable	Yes/130 cm	Yes/130 cm	Yes/130 cm	Yes/130 cm	Yes/130 cm
Connection	220-240V/50-60Hz/32A	220-240V/50-60Hz/32A	220-240V/50-60Hz/32A	220-240V/50-60Hz/32A	220-240V/50-60Hz/32A
Electrical power (kW)	7.4	7.4	7.4	7.4	7.4
EAN CODE					
Heritage					
Infinite Black	3660767994614	3660767994331			
Master Black	3660767991637	3660767991644	3660767994720	3660767994713	3660767994706
Stellar Steel					
Eternal White	3660767998117	3660767994355			
Dark grey	3660767994607	3660767994348			

INDUCTION HOBS

REFERENCES	horiZone	horiZone	-	-	-
Heritage	DPI4332HP			DPI4321H	DPI4320H
Infinite Black	DPI4332BP	DPI4330B	DPI4322BP	DPI4321B	DPI4320B
Master Black					
Stellar Steel			DPI4322XP	DPI4321X	DPI4320X
Eternal White				DPI4321W	
PRODUCT SHEET					
Width (cm)	65	65	65	65	65
Control type	Backlit buttons	Touch-sensitive buttons	Touch-sensitive buttons	Touch-sensitive buttons	Touch-sensitive buttons
Backlight	Yes	No	No	No	No
POWER / DIAMETER OF ZONES					
Left Free zone					
Dimensions (WxD in cm)	Induction	Induction	-	-	-
Max power (booster in W)	40x23	40x23	-	-	-
Power consumption (EC) Wh/kg	3,700	3,700	-	-	-
Rear left					
Diameter (in mm)	-	-	Induction	Induction	Induction
Max power (booster in W)	-	-	230	230	230
Power consumption (EC) Wh/kg	-	-	3,700	3,700	3,700
Front left					
Diameter (in mm)	-	-	170.2	170.2	170.2
Max power (booster in W)	-	-	170.2	170.2	170.2
Power consumption (EC) Wh/kg	-	-	175.1	175.1	175.1
Right Free zone					
Dimensions (WxD in cm)	-	-	-	-	-
Max power (booster in W)	-	-	-	-	-
Power consumption (EC) Wh/kg	-	-	-	-	-
Right					
Diameter (in mm)	-	-	-	-	-
Max power (booster in W)	-	-	-	-	-
Power consumption (EC) Wh/kg	-	-	-	-	-
Center					
Diameter (in mm)	Induction	Induction	Induction	Induction	Induction
Max power (booster in W)	300	280	300	280	280
Power consumption (EC) Wh/kg	5,500	3,700	5,500	4,600	3,700
Rear right					
Diameter (in mm)	169.9	168.3	169.9	161.1	168.3
Max power (booster in W)	-	-	-	-	-
Power consumption (EC) Wh/kg	-	-	-	-	-
Front right					
Diameter (in mm)	-	-	-	-	-
Max power (booster in W)	-	-	-	-	-
Power consumption (EC) Wh/kg	-	-	-	-	-
GENERAL FEATURES					
Number of cooking positions	20	20	20	20	20
Ai Culinary guide	Yes	Yes	Yes	Yes	Yes
Ai Step by step recipes	-	-	-	-	-
Auto link	Yes	-	-	-	-
Blanch	Yes	Yes	Yes	Yes	Yes
Boil	Yes	Yes	Yes	Yes	Yes
Boost	Yes	Yes	Yes	Yes	Yes
Clean lock	Yes	Yes	Yes	Yes	-
Sous vide cooking	-	-	-	-	-
Melting	-	-	-	-	-
Simmer	Yes	Yes	Yes	Yes	Yes
Sear	Yes	Yes	Yes	Yes	Yes
Warm keeping	Yes	Yes	Yes	Yes	Yes
Slow cooking	-	-	-	-	-
Automatic pan detection	Yes	Yes	Yes	Yes	Yes
Elapsed time	Yes	Yes	Yes	Yes	Yes
Grill	-	-	-	-	-
ICS	Yes	Yes	Yes	Yes	Yes
Motion control	-	-	-	-	-
Power management	Yes	Yes	Yes	Yes	Yes
Recall	Yes	Yes	Yes	Yes	Yes
Low	-	-	-	-	-
High	-	-	-	-	-
Switch	Yes	Yes	Yes	Yes	Yes
Lock	Yes	Yes	Yes	Yes	Yes
Grill/plancha (horizone play)	-	-	-	-	-
Probe functions	-	-	-	-	-
Programmable and adjustable direct access level (per zone)	4	4	4	4	4
Number of timers 1 to 99 minutes	3	3	3	3	3
Timer direct access level (per zone)	3	3	3	3	3
SAFETY FEATURES					
Pack 10 safety features	Yes	Yes	Yes	Yes	Yes
DIMENSIONS - WEIGHT					
Built-in HxWxD (mm)	60X650X515	60X650X515	60X650X515	60X650X515	60X650X515
Unboxed HxWxD (mm)	-	-	-	-	-
Packed product HxWxD (mm)	140X750X600	140X750X600	140X750X600	140X750X600	140X750X600
Net weight (kg)/Gross weight (kg)	10.5/11	10.5/11	10.5/11	11/12.7	11/11.7
Delivered with cable	Yes/130cm	Yes/130cm	Yes/130cm	Yes/130cm	Yes/130cm
Connection	220-240V/50-60Hz/32A	220-240V/50-60Hz/32A	220-240V/50-60Hz/32A	220-240V/50-60Hz/32A	220-240V/50-60Hz/32A
Electrical power (kW)	7.4	7.4	7.4	7.4	7.4
EAN CODE					
Heritage	3660767995420			3660767994294	3660767994249
Infinite Black	3660767991613	3660767994836	3660767991590	3660767994324	3660767994256
Master Black					
Stellar Steel			3660767991576	3660767994317	3660767994263
Eternal White				3660767994300	

INDUCTION HOBS

REFERENCES	-	-
Heritage		
Infinite Black	DPI4301BP	DPI4300B
Master Black		
Stellar Steel		
Eternal White		
PRODUCT SHEET		
Width (cm)	65	65
Control type	Touch-sensitive buttons	Touch-sensitive buttons
POWER / DIAMETER OF ZONES		
Left Free zone		
Dimensions (WxD in cm)	-	-
Max power (booster in W)	-	-
Power consumption (EC) Wh/kg	-	-
Rear left		
Diameter (in mm)	Induction	Induction
Max power (booster in W)	230	230
Power consumption (EC) Wh/kg	3,700	3,700
Front left		
Diameter (in mm)	170.2	170.2
Max power (booster in W)	170.2	170.2
Power consumption (EC) Wh/kg	175.1	175.1
Right Free zone		
Dimensions (WxD in cm)	-	-
Max power (booster in W)	-	-
Power consumption (EC) Wh/kg	-	-
Right		
Diameter (in mm)	-	-
Max power (booster in W)	-	-
Power consumption (EC) Wh/kg	-	-
Center		
Diameter (in mm)	Induction	Induction
Max power (booster in W)	300	280
Power consumption (EC) Wh/kg	5,500	3,700
Rear right		
Diameter (in mm)	169.9	168.3
Max power (booster in W)	-	-
Power consumption (EC) Wh/kg	-	-
Front right		
Diameter (in mm)	-	-
Max power (booster in W)	-	-
Power consumption (EC) Wh/kg	-	-
GENERAL FEATURES		
Number of cooking positions	20	20
Ai Culinary guide	-	-
Ai step by step recipes	-	-
Auto link	-	-
Blanch	-	-
Boil	Yes	Yes
Boost	Yes	Yes
Clean lock	Yes	Yes
Sous vide cooking	-	-
Melting	-	-
Simmer	Yes	-
Sear	Yes	-
Warm keeping	Yes	-
Slow cooking	-	-
Automatic pan detection	Yes	Yes
Elapsed time	Yes	Yes
Grill	-	-
ICS	Yes	Yes
Motion control	-	-
Power management	-	-
Recall	Yes	Yes
Low	-	-
High	-	-
Switch	Yes	Yes
Lock	Yes	Yes
Grill/plancha (horizone play)	-	-
Probe functions	-	-
Programmable and adjustable direct access level (per zone)	4	4
Number of timers 1 to 99 minutes	3	3
Timer direct access level (per zone)	3	3
SAFETY FEATURES		
Pack 10 safety features	Yes	Yes
DIMENSIONS - WEIGHT		
Built-in HxWxD (mm)	59X650X515	60X650X515
Unboxed HxWxD (mm)	-	-
Packed product HxWxD (mm)	140X750X600	140X750X600
Net weight (kg)/Gross weight (kg)	11/11.5	11/11.5
Delivered with cable	Yes/130cm	Yes/130cm
Connection	220-240V/50-60Hz/32A	220-240V/50-60Hz/32A
Electrical power (kW)	7.4	7.4
EAN CODE		
Heritage		
Infinite Black	3660767991514	3660767994232
Master Black		
Stellar Steel		
Eternal White		

VITROCERAMIC HOBS

REFERENCES	vitroTech		-	-
Heritage	DPV4605HB		DPV4601B	DPV4502B
Infinite Black				
Master Black				
Stellar Steel				
Eternal White				
PRODUCT SHEET				
Width (cm)	60	65	65	
Control type	Touch-sensitive buttons	Touch-sensitive buttons	Touch-sensitive buttons	
POWER / DIAMETER OF ZONES				
Left Free zone				
Dimensions (WxD in cm)	Vitroceraic	-	-	
Max power (booster in W)	41.5x18	-	-	
Power consumption (EC) Wh/kg	4,000	-	-	
Rear left		Vitroceraic	Vitroceraic	
Diameter (in mm)	-	210	180	
Max power (booster in W)	-	2,100	1,800	
Power consumption (EC) Wh/kg	-	201	197	
Front left	Vitroceraic	Vitroceraic	Vitroceraic	
Diameter (in mm)	180	145	145	
Max power (booster in W)	1,800	1,200	1,200	
Power consumption (EC) Wh/kg	194.5	194.5	193	
Right Free zone				
Dimensions (WxD in cm)	-	-	-	
Max power (booster in W)	-	-	-	
Power consumption (EC) Wh/kg	-	-	-	
Right				
Diameter (in mm)	-	-	-	
Max power (booster in W)	-	-	-	
Power consumption (EC) Wh/kg	-	-	-	
Center			Vitroceraic	
Diameter (in mm)	-	-	210-270	
Max power (booster in W)	-	-	1,500-2,400	
Power consumption (EC) Wh/kg	-	-	182	
Rear right	Vitroceraic	Vitroceraic	-	
Diameter (in mm)	180	180	-	
Max power (booster in W)	1,800	1,800	-	
Power consumption (EC) Wh/kg	194.5	194	-	
Front right	Vitroceraic	Vitroceraic	-	
Diameter (in mm)	180	145	-	
Max power (booster in W)	1,800	1,200	-	
Power consumption (EC) Wh/kg	194.5	194.5	-	
GENERAL FEATURES				
Number of cooking positions	9	9	9	
Boost	-	-	-	
Clean lock	Yes	Yes	Yes	
Elapsed time	-	-	-	
Programmable and adjustable direct access level (per zone)	-	-	-	
Number of timers 1 to 99 minutes	4	4	3	
Timer direct access level (per zone)	-	-	-	
SAFETY FEATURES				
Safety devices	Yes	Yes	Yes	
Power indicator	Yes	The display is flashing 0	The display is flashing 0	
DIMENSIONS - WEIGHT				
Built-in HxWxD (mm)	63X600X510	55X650X552	63X650X553	
Unboxed HxWxD (mm)	-	-	-	
Packed product HxWxD (mm)	90X635X563	90X685X633	90X685X633	
Net weight (kg)/Gross weight (kg)	8/9	8/9	8/9	
Delivered with cable	Yes/ 110 cm	Yes/ 150 cm	Yes/ 150 cm	
Connection	220-240V/50-60Hz/30A	220-240V/50Hz/32A	220-240V/50Hz/32A	
Electrical power (kW)	7	6.3	5.4	
EAN CODE				
Heritage	3660767998797			
Infinite Black		3660767998773	3660767998780	
Master Black				
Stellar Steel				
Eternal White				

GAS HOBS

REFERENCES	vitroTech		-	-
Heritage	DPV4605HB		DPV4601B	DPV4502B
Infinite Black				
Master Black				
Stellar Steel				
Eternal White				
PRODUCT SHEET				
Width (cm)	60	65	65	
Control type	Touch-sensitive buttons	Touch-sensitive buttons	Touch-sensitive buttons	
POWER / DIAMETER OF ZONES				
Left				
Diameter (in cm)	15	15	-	
Max power (booster in W)	4,000	4,000	-	
Energy efficiency of gas burner (EE)	-	-	-	
Rear left			Gas (Semi-rapid)	Gas (Semi-rapid)
Diameter (in cm)	-	-	7.2	6.8
Max power (booster in W)	-	-	1,500	1,750
Energy efficiency of gas burner (EE)	-	-	57.9	-
Center left				
Diameter (in cm)	-	-	-	-
Max power (booster in W)	-	-	-	-
Energy efficiency of gas burner (EE)	-	-	-	-
Rear center	Gas (Semi-rapid)	Gas (Semi-rapid)	-	-
Diameter (in cm)	9.4	9.4	-	-
Max power (booster in W)	1,750	1,750	-	-
Energy efficiency of gas burner (EE)	-	-	-	-
Front left			Gas (Very fast)	Gas (Rapid)
Diameter (in cm)	-	-	10.6	9.3
Max power (booster in W)	-	-	3,100	3,000
Energy efficiency of gas burner (EE)	-	-	65.5	-
Rear right	Gas (Rapid)	Gas (Rapid)	Gas (Rapid)	Gas (Semi-rapid)
Diameter (in cm)	12.4	12.4	9.3	6.8
Max power (booster in W)	3,000	3,000	2,250	1,750
Energy efficiency of gas burner (EE)	-	-	61.5	-
Front right	Gas (Semi-rapid)	Gas (Semi-rapid)	Gas (Auxiliary)	Gas (Auxiliary)
Diameter (in cm)	9.4	9.4	4.4	4.7
Max power (booster in W)	1,750	1,750	850	1,000
Energy efficiency of gas burner (EE)	-	-	-	-
Front center	Gas (Auxiliary)	Gas (Auxiliary)	-	-
Diameter (in cm)	7.4	7.4	-	-
Max power (booster in W)	1,000	1,000	-	-
Energy efficiency of gas burner (EE)	-	-	-	-
SAFETY FEATURES				
Thermocouple safety cut off	Yes	Yes	Yes	Yes
DIMENSIONS - WEIGHT				
Built-in HxWxD (mm)	103X890X510	103X750X510	106X640X515	117X510X600
Unboxed HxWxD (mm)	-	-	-	-
Packed product HxWxD (mm)	145X970X870	145X820X570	170X860X600	145X575X676
Net weight (kg)/Gross weight (kg)	22.04/23.04	15.4/16.6	13.4/14.5	13.4/14.5
Delivered with cable	Yes / 100 cm	Yes / 100 cm	Yes / 93 cm	-
Connection	220-240V/50Hz/10A	220-240V/50Hz/10A	220-240V/50Hz/10A	220-240V/50Hz/10A
Gaz power (W)	11,500	11,500	(N/A)	7,500
EAN CODE				
Heritage			3660767996717	
Infinite Black	3660767997202	3660767997189		3660767995635
Master Black				
Stellar Steel				
Eternal White				

HOODS

REFERENCES
Heritage
Infinite Black
Stellar Steel
Eternal White
PRODUCT SHEET
Hood type
Width (cm)
GENERAL FEATURES
Motor type
Control type
Number of motors/fans
Number of speed setting (boost excluded)
Annual Energy Consumption (AEC hood)
Energy efficiency class of the model
Fluid dynamic efficiency class
Light efficiency class of the model
Grease filtration efficiency class
Airflow to the minimum speed/Max in normal operation
Airflow in intensive or 'boost' mode
Acoustic emissions of air weighted of the value A. the minium/maximum speed available. in normal operation
Acoustic emissions of air Weighted value A. to the intensive or 'boost' speed
Light type
Lighting power
Inox or aluminium filter(s)
Carbon filter(s) reference
Filter saturation indicator
FUNCTIONS
On/Off
Light
Boost
Delayed stop
Timer
Mood lighting
Light intensity dimmer
Independent lighting
INSTALLATION
Extraction/Recycling
Version supplied
Motor output diameter (mm)
Motor output adapter (mm)
DIMENSIONS - WEIGHT
Dimension excluding chimney HxWxD (mm)
Packed product HxWxD (mm)
Net weight (kg)/Gross weight (kg)
Connection
Motor power
EAN CODE
Heritage
Infinite Black
Stellar Steel
Eternal White

REFERENCES	DHV4984B	DHV4684B	DHB4984B	DHB4684B	DHG2684B
Hood type	Vertical	Vertical	Box	Box	Canopy
Width (cm)	90	60	90	60	55
GENERAL FEATURES	Brushless	Brushless	Brushless	Brushless	Brushless
Motor type	Brushless	Brushless	Brushless	Brushless	Brushless
Control type	Backlit electronic control	Backlit electronic control	Sensitive control	Sensitive control	Electronic control
Number of motors/fans	1/1	1/1	1/1	1/1	1/1
Number of speed setting (boost excluded)	3	3	4	3	3
Annual Energy Consumption (AEC hood)	39.6	33.4	36	40	38.1
Energy efficiency class of the model	A+	A+	A+	A+	A
Fluid dynamic efficiency class	A	A	A	A	A
Light efficiency class of the model	C	B	B	A	B
Grease filtration efficiency class	E	E	E	E	D
Airflow to the minimum speed/Max in normal operation	230/555	200/510	190/540	165/365	165/470
Airflow in intensive or 'boost' mode	745	700	735	660	630
Acoustic emissions of air weighted of the value A. the minium/maximum speed available. in normal operation	42/64	41/63	42/57	40/58	43/62
Acoustic emissions of air Weighted value A. to the intensive or 'boost' speed	71	70	72	70	69
Light type	LED STRIPE	LED STRIPE	LED STRIPE	LED STRIPE	LONG LED STRIPE
Lighting power	1x8W	1x5W	1x8W	2x4W	1x6W
Inox or aluminium filter(s)	2/Alu	1/Alu	2/Alu	2/Alu	1/Alu
Carbon filter(s) reference	FWND-185	FWND-185	FWK240	FWND-185	FWK385
Filter saturation indicator	-	-	-	-	-
FUNCTIONS	Yes	Yes	Yes	-	-
On/Off	Yes	Yes	-	Yes	-
Light	Yes	Yes	Yes	Yes	Yes
Boost	Yes	Yes	-	Yes	-
Delayed stop	Yes	Yes	Yes	Yes	-
Timer	Yes	Yes	Yes	-	-
Mood lighting	-	-	-	-	-
Light intensity dimmer	-	-	-	-	-
Independent lighting	-	-	-	-	-
INSTALLATION	Yes/Yes	Yes/Yes	Yes/Yes	Yes/Yes	Yes/Yes
Extraction/Recycling	Recycling	Recycling	Extraction	Extraction	Recycling
Version supplied	150			150	150
Motor output diameter (mm)			120/150	-	-
Motor output adapter (mm)					
DIMENSIONS - WEIGHT	400X900X380	400X600X380	60X898X502	60X598X502	280X550X290
Dimension excluding chimney HxWxD (mm)	620X1000X460	620X700X480	540X1000X575	475X700X570	415X670X350
Packed product HxWxD (mm)	25.5/30.5	25.5/30.5	16.5/20.7	11/13.8	8.2/10.3
Net weight (kg)/Gross weight (kg)	220-240V/50-60Hz/0A	220-240V/50-60Hz/1.28A	220-240V/50-60Hz/1.11A	220-240V/50-60Hz/1.24A	220-240V/50-60Hz/1.15A
Connection	160W	160W	160W	160W	160W
Motor power	3660767996366	3660767996373	3660767996557	3660767996533	3660767996503
EAN CODE					
Heritage					
Infinite Black					
Stellar Steel					
Eternal White					

HOODS

REFERENCES
Heritage
Infinite Black
Stellar Steel
Eternal White
PRODUCT SHEET
Hood type
Width (cm)
GENERAL FEATURES
Motor type
Control type
Number of motors/fans
Number of speed setting (boost excluded)
Annual Energy Consumption (AEC hood)
Energy efficiency class of the model
Fluid dynamic efficiency class
Light efficiency class of the model
Grease filtration efficiency class
Airflow to the minimum speed/Max in normal operation
Airflow in intensive or 'boost' mode
Acoustic emissions of air weighted of the value A. the minium/maximum speed available. in normal operation
Acoustic emissions of air Weighted value A. to the intensive or 'boost' speed
Light type
Lighting power
Inox or aluminium filter(s)
Carbon filter(s) reference
Filter saturation indicator
FUNCTIONS
On/Off
Light
Boost
Delayed stop
Timer
Mood lighting
Light intensity dimmer
Independent lighting
INSTALLATION
Extraction/Recycling
Version supplied
Motor output diameter (mm)
Motor output adapter (mm)
DIMENSIONS - WEIGHT
Dimension excluding chimney HxWxD (mm)
Packed product HxWxD (mm)
Net weight (kg)/Gross weight (kg)
Connection
Motor power
EAN CODE
Heritage
Infinite Black
Stellar Steel
Eternal White

REFERENCES	DHB49740B	DHB46740B	DHG4573B	DHV4973PB	DHV4974HB
Hood type	Slim Box	Slim box	Canopy	Vertical/Plasma filter	Vertical/Hepa filter
Width (cm)	90	60	55	90	90
GENERAL FEATURES	Brushless	Brushless	Brushless	Brushless	Brushless
Motor type	Brushless	Brushless	Brushless	Brushless	Brushless
Control type	Sensitive control	Sensitive control	Electronic control	Backlit electronic control	Backlit electronic control
Number of motors/fans	1/1	1/1	1/1	1/1	1/1
Number of speed setting (boost excluded)	4	3	3	3	3
Annual Energy Consumption (AEC hood)	35.4	40	38.1	36.3	33
Energy efficiency class of the model	A+	A+	A	A+	A+
Fluid dynamic efficiency class	A	A	A	A	A
Light efficiency class of the model	C	C	B	C	C
Grease filtration efficiency class	E	E	D	E	E
Airflow to the minimum speed/Max in normal operation	210/545	210/530	165/470	220/540	225/550
Airflow in intensive or 'boost' mode	735	715	630	730	745
Acoustic emissions of air weighted of the value A. the minium/maximum speed available. in normal operation	42/65	45/65	43/62	40/60	40/60
Acoustic emissions of air Weighted value A. to the intensive or 'boost' speed	72	72	69	69	69
Light type	LED STRIPE	LED STRIPE	LONG LED STRIPE	LED STRIPE	LED STRIPE
Lighting power	1x9W	2x3W	1x6W	1x7W	1x7W
Inox or aluminium filter(s)	3/Alu	2/Alu	1/Alu	2/Alu	2/Alu
Carbon filter(s) reference	AHFC330	FWND-185	FWK385	Plasma	FWND-185
Filter saturation indicator	-	-	-	-	-
FUNCTIONS	Yes	-	-	Yes	Yes
On/Off	-	Yes	-	Yes	Yes
Light	Yes	Yes	Yes	Yes	Yes
Boost	-	Yes	-	Yes	Yes
Delayed stop	Yes	Yes	Yes	Yes	Yes
Timer	Yes	Yes	Yes	Yes	Yes
Mood lighting	Yes	-	-	-	-
Light intensity dimmer	Yes	Yes	-	Yes	Yes
Independent lighting	-	-	-	-	-
INSTALLATION	Yes/Yes	Yes/Yes	Yes/Yes	Yes/Yes	Yes/Yes
Extraction/Recycling	Extraction	Extraction	Recycling	Recycling	Recycling
Version supplied	120/150	150	150	120/150	120/150
Motor output diameter (mm)					
Motor output adapter (mm)					
DIMENSIONS - WEIGHT	40X900X405	40X600X405	267X550X290	346X900X385	400X900X404
Dimension excluding chimney HxWxD (mm)	540X1000X575	700X475X570	370X655X315	480X1000X480	500X1000X550
Packed product HxWxD (mm)	16.5/20.7	11/13.8	8.2/10.3	20/23.5	25.5/30.5
Net weight (kg)/Gross weight (kg)	220-240V/50-60Hz/1.25A	220-240V/50-60Hz/1.24A	220-240V/50-60Hz/1.15A	220-240V/50-60Hz/1.18A	220-240V/50-60Hz/1.28A
Connection	160W	160W	160W	160W	160W
Motor power	3660767996595	3660767996540	3660767996632	3660767996519	3660767996496
EAN CODE					
Heritage					
Infinite Black					
Stellar Steel					
Eternal White					

HOODS

REFERENCES				
Heritage				DHB4934H
Infinite Black	DHV4974B	DHV4674B	DHD7261B	DHB4934B
Stellar Steel			DHD7961B	DHB4934X
Eternal White				DHB4934W
PRODUCT SHEET				
Hood type	Vertical	Vertical	Downdraft	Downdraft
Width (cm)	90	60	120	86
90				90
GENERAL FEATURES				
Motor type	Brushless	Brushless	-	Brushless
Control type	Backlit electronic controls	Backlit electronic controls	Sensitive control	Rotator
Number of motors/fans	1/1	1/1	1/1	1/1
Number of speed setting (boost excluded)	3	3	4	4
Annual Energy Consumption (AEC hood)	33	33	51.9	44.5
Energy efficiency class of the model	A+	A+	A	A+
Energy Efficiency Index (EEI)	41.7	41.7	54	46.8
Fluid dynamic efficiency class	A	A	A	A
Light efficiency class of the model	C	C	A	A
Grease filtration efficiency class	E	E	E	E
Airflow to the minimum speed/Max in normal operation	225/550	225/550	280/612	268/605
Airflow in intensive or 'boost' mode	745	745	791	757
Accoustic emissions of air weighted of the value A. the minium/maximum speed available. in normal operation	40/60	40/60	39/58	38/61
Accoustic emissions of air Weighted value A. to the intensive or 'boost' speed	69	69	65	68
Light type	LED STRIPE	LED STRIPE	LED STRIPE	LED STRIPE
Lighting power	1x7W	1x7W	1x9W	1x5W
Inox or aluminium filter(s)	2/Alu	2/Alu	2/Alu	3/Alu
Carbon filter(s) reference	FWND-185	FWND-185	AK912AE1	AK700AE1
Filter saturation indicator	-	-	Yes	Yes
FUNCTIONS				
On/Off	Yes	Yes	Yes	Yes
Light	Yes	Yes	Yes	Yes
Boost	Yes	Yes	Yes	Yes
Delayed stop	Yes	Yes	Yes	-
Timer	Yes	Yes	-	-
Mood lighting	-	-	-	-
Light intensity dimmer	Yes	Yes	-	Yes
Independent lighting	-	-	-	-
INSTALLATION				
Extraction/Recycling	Yes/Yes	Yes/Yes	Yes/Yes	Yes/Yes
Version supplied	Recycling	Recycling	Recycling	Extraction
Motor output diameter (mm)			150	150
Motor output adapter (mm)	120/150	120/150	125/150	125/150
120/150				120/150
DIMENSIONS- WEIGHT				
Dimension excluding chimney HxWxD (mm)	347X900X392	347X600X392	742x1180x340	736x860x340
Packed product HxWxD (mm)	480X1000X480	500X700X500	875x1310x875	430x1010x870
Net weight (kg)/Gross weight (kg)	18.4/21.7	25.5/30.5	45/56	37/46
Connection	220-240V/50-60Hz/1.18A	220-240V/50-60Hz/1.28A	220-240V/50-60Hz/1.0A	220-240V/50-60Hz/1.2A
Motor power	160W	160W	275W	250W
160W				160W
EAN CODE				
Heritage				3660767996663
Infinite Black	3660767996694	3660767999503	3660767964211	3660767964198
Stellar Steel				3660767996670
Eternal White				3660767996687

HOODS

REFERENCES				
Heritage				
Infinite Black	DHB4974B	DHB4674B		DHI2963B
Stellar Steel		DHB4674X	DHB361BX	
Eternal White				
PRODUCT SHEET				
Hood type	Slim box	Slim box	Slim box	Slim box
Width (cm)	90	90	60	60
90				90
90				90
GENERAL FEATURES				
Motor type	Brushless	Brushless	Brushless	Brushless
Control type	Sensitive control	Sensitive control	Sensitive control	Electronic control with display
Number of motors/fans	1/1	1/1	1/1	1/1
Number of speed setting (boost excluded)	3	3	3	3
Annual Energy Consumption (AEC hood)	38.1	40.5	40	40
Energy efficiency class of the model	A+	A+	A+	A+
Energy Efficiency Index (EEI)	43.	42.9	42.9	42.9
Fluid dynamic efficiency class	A	A	A	A
Light efficiency class of the model	A	A	A	A
Grease filtration efficiency class	E	E	E	E
Airflow to the minimum speed/Max in normal operation	210/540	220/535	210/530	210/530
Airflow in intensive or 'boost' mode	720	720	715	715
Accoustic emissions of air weighted of the value A. the minium/maximum speed available. in normal operation	45/65	45/65	45/65	45/65
Accoustic emissions of air Weighted value A. to the intensive or 'boost' speed	72	72	72	72
Light type	LED STRIPE	LED STRIPE	LED STRIPE	LED STRIPE
Lighting power	2x4.5W	2x4W	2x4W	2x4W
Inox or aluminium filter(s)	3/Alu	3/Alu	3/Alu	2/Alu
Carbon filter(s) reference	AHFC330	FWND-185	FWK240	FWND-185
Filter saturation indicator	-	-	-	-
FUNCTIONS				
On/Off	-	-	-	Yes
Light	Yes	Yes	Yes	Yes
Boost	Yes	Yes	Yes	Yes
Delayed stop	Yes	Yes	Yes	Yes
Timer	Yes	-	Yes	-
Mood lighting	-	-	-	Yes
Light intensity dimmer	Yes	-	Yes	-
Independent lighting	-	-	-	-
INSTALLATION				
Extraction/Recycling	Yes/Yes	Yes/Yes	Yes/Yes	Yes/Yes
Version supplied	Extraction	Extraction	Extraction	Extraction
Motor output diameter (mm)	150	150	150	150
Motor output adapter (mm)	-	-	-	120/150
DIMENSIONS- WEIGHT				
Dimension excluding chimney HxWxD (mm)	40X900X406	40X900X406	40X900X406	40X600X406
Packed product HxWxD (mm)	540X1000X575	540X1000X575	475X700X570	475X700X570
Net weight (kg)/Gross weight (kg)	12.4/16.6	12.4/16.6	12.4/16.6	11/13.8
Connection	220-240V/50-60Hz/1.18A	220-240V/50-60Hz/1.18A	220-240V/50-60Hz/1.18A	220-240V/50-60Hz/1.24A
Motor power	160W	160W	160W	160W
160W				260W
EAN CODE				
Heritage				
Infinite Black	3660767996625		3660767996588	
Stellar Steel		3660767999626		3660767990852
Eternal White				

HOODS

REFERENCES					
Heritage					
Infinite Black					
Stellar Steel					
Eternal White					
PRODUCT SHEET					
Hood type					
Width (cm)					
GENERAL FEATURES					
Motor type					
Control type					
Number of motors/fans					
Number of speed setting (boost excluded)					
Annual Energy Consumption (AEC hood)					
Energy efficiency class of the model					
Energy Efficiency Index (EEI)					
Fluid dynamic efficiency class					
Light efficiency class of the model					
Grease filtration efficiency class					
Airflow to the minimum speed/Max in normal operation					
Airflow in intensive or 'boost' mode					
Acoustic emissions of air weighted of the value A. the minium/maximum speed available. in normal operation					
Acoustic emissions of air Weighted value A. to the intensive or 'boost' speed					
Light type					
Lighting power					
Inox or aluminium filter(s)					
Carbon filter(s) reference					
Filter saturation indicator					
FUNCTIONS					
On/Off					
Light					
Boost					
Delayed stop					
Timer					
Mood lighting					
Light intensity dimmer					
Independent lighting					
INSTALLATION					
Extraction/Recycling					
Version supplied					
Motor output diameter (mm)					
Motor output adapter (mm)					
DIMENSIONS- WEIGHT					
Dimension excluding chimney HxWxD (mm)					
Packed product HxWxD (mm)					
Net weight (kg)/Gross weight (kg)					
Connection					
Motor power					
EAN CODE					
Heritage					
Infinite Black					
Stellar Steel					
Eternal White					

FULL BUILT-IN DISHWASHERS

REFERENCES				
Full built-in				
PRODUCT SHEET				
Place setting number				
Energy efficiency class				
Annual energy consumption x 100 cycles (kWh)				
Water consumption (L/cycle)				
Duration of the cycle (min)				
Airborne acoustical noise emission (dB(A))/Class acoustical noise emission				
GENERAL FEATURES				
Number of programmes				
Number of washing temperatures				
ICS+ 45-55°C				
Boost 60°C				
Intensive				
Eco 45°C				
Glass 40°C				
Daily 90 min				
Rapid 35 min				
Rapid 30 min				
Hygiene +				
Prewash				
Universal				
Night Silence				
Tank cleaning				
Drying +				
Wash and Dry 55 min				
Express				
Half load				
Energy saving				
Clean Jet System				
Drying mode				
CONFORT				
Access type				
Display type				
Delayed start				
Remaining time				
Viewing of end programme				
Salt/Rinse end indicator				
Disconnection of the automatic door opening				
Automatic opening of the door				
EQUIPMENTS				
3rd basket				
Small Sliding upper basket				
Upright adjustable upper basket				
Multiplace cutlery basket				
Maximum diameter of the lower basket plates (in mm)				
Maximum diameter of the upper basket plates (in mm)				
SAFETY FEATURES				
AquaSafe (Anti-overflow/Anti-leak)				
AquaBlock (Anti-overflow + Anti-leak + Electrical water intake cut off)				
DIMENSIONS - WEIGHT				
Built-in HxWxD (mm)				
Unboxed HxWxD (mm)				
Packed product HxWxD (mm)				
Net weight (kg)/Gross weight (kg)				
Connection				
EAN CODE				
Full built-in				

FULL BUILT-IN DISHWASHERS

REFERENCES	DDFI532QB	DV1434QJ	DBJ434DQA	DBJ422DQX
Full built-in				
PRODUCT SHEET				
Place setting number	15	15	14	14
Energy efficiency class	D	D	B	B
Annual energy consumption x 100 cycles (kWh)	86	86	65	65
Water consumption (L/cycle)	9	9	9.8	9.8
Duration of the cycle (min)	254	254	235	220
Airborne acoustical noise emission (dB(A))/Class acoustical noise emission	42/B	44/B	42/B	42/B
GENERAL FEATURES				
Number of programmes	9	8	7	8
Number of washing temperatures	6	6	5	5
Auto	Yes	-	Yes	-
Masterwash	-	Yes	-	-
Fragile	Yes	-	Yes	-
ICS+ 45-55°C	-	Yes	-	Yes
Boost 60°C	-	-	Yes	Yes
Intensive	Yes	-	-	Yes
Eco 45°C	Yes	Yes	Yes	Yes
Glass 40°C	-	-	-	Yes
Daily 90 min	-	-	-	Yes
Rapid 35 min	-	-	-	-
Rapid 30 min	Yes	Yes	Yes	Yes
Super 50 min	-	Yes	-	-
Hygiene +	Yes	Yes	Yes	-
Prewash	-	-	-	Yes
Universal	-	-	-	Yes
Steam wash	-	Yes	-	-
Soaking	-	-	Yes	-
Night Silence	-	Yes	Yes	-
Tank cleaning	-	-	-	-
Drying +	Yes	Yes	-	-
Wash and Dry 55 min	-	-	-	-
Express	-	Yes	Yes	Yes
Half load	Yes	Yes	-	Yes
Autodose	-	-	Yes	-
Alternative wash	-	-	Yes	-
Energy saving	Yes	-	-	Yes
Delayed start	Yes	Yes	-	-
Clean Jet System	-	-	-	-
Drying mode	Natural convection	Air vented	Natural convection	Natural convection
CONFORT				
Access type	Touch-sensitive	Micro switch	Touch-sensitive	Touch-sensitive
Display type	Digits	Digits	Digits	Digits
Delayed start	1 to 19h	1 to 19h	1 to 24h	1 to 24h
Remaining time	Yes	Yes	Yes	Yes
Viewing of end programme	Spotlight + buzzer	Spotlight + buzzer	Spotlight + buzzer	Spotlight + buzzer
Salt/Rinse end indicator	Yes/Yes	Yes/Yes	Yes/Yes	Yes/Yes
Disconnection of the automatic door opening	Yes	-	Yes	Yes
Automatic opening of the door	Yes	-	Yes	Yes
EQUIPMENTS				
3rd basket	Yes	Yes	Yes	-
Small Sliding upper basket	-	-	-	-
Upright adjustable upper basket	Yes	Yes	Yes	Yes
Multiplace cutlery basket	-	Yes	-	-
Maximum diameter of the lower basket plates (in mm)	300	300	300	300
Maximum diameter of the upper basket plates (in mm)	250	250	250	250
SAFETY FEATURES				
AquaSafe (Anti-overflow/Anti-leak)	-	Yes	Yes	Yes
AquaBlock (Anti-overflow + Anti-leak + Electrical water intake cut off)	Yes	-	Yes	Yes
DIMENSIONS - WEIGHT				
Built-in HxWxD (mm)	820X600X580	820X600X580	820X600X580	820X600X580
Unboxed HxWxD (mm)	820X598X550	820X598X550	815X598X550	815X598X550
Packed product HxWxD (mm)	851X644X661	884X630X635	890X645X645	890X645X645
Net weight (kg)/Gross weight (kg)	38/40	38/40	36.8/46	36.8/46
Connection	230V/50Hz/10A	230V/50Hz/10A	230V/50Hz/10A	230V/50Hz/10A
EAN CODE				
Full built-in	3660767984578	3660767989078	3660767995536	3660767990500

FULL BUILT-IN DISHWASHERS

REFERENCES	DCJ434DB	DCJ422QSX	DCJ424DQX	KDLV434SJ
Full built-in				
PRODUCT SHEET				
Place setting number	14	14	14	14
Energy efficiency class	C	C	C	C
Annual energy consumption x 100 cycles (kWh)	75	75	75	75
Water consumption (L/cycle)	9.8	9.8	9.8	9.8
Duration of the cycle (min)	220	198	198	220
Airborne acoustical noise emission (dB(A))/Class acoustical noise emission	42/B	42/B	44/B	44/B
GENERAL FEATURES				
Number of programmes	7	8	8	6
Number of washing temperatures	5	5	5	4
Auto	Yes	-	-	-
Masterwash	-	-	-	-
Fragile	Yes	-	-	-
ICS+ 45-55°C	-	Yes	Yes	Yes
Boost 60°C	Yes	Yes	Yes	-
Intensive	-	Yes	Yes	Yes
Eco 45°C	Yes	Yes	Yes	Yes
Glass 40°C	-	Yes	Yes	Yes
Daily 90 min	-	Yes	Yes	-
Rapid 35 min	-	-	-	-
Rapid 30 min	Yes	Yes	Yes	Yes
Super 50 min	-	-	-	-
Hygiene +	Yes	-	-	-
Prewash	-	Yes	Yes	-
Universal	-	Yes	Yes	-
Steam wash	-	-	-	-
Soaking	Yes	-	-	-
Night Silence	Yes	-	-	-
Tank cleaning	-	-	-	-
Drying +	-	Yes	Yes	-
Wash and Dry 55 min	-	-	-	-
Express	Yes	Yes	Yes	Yes
Half load	-	Yes	Yes	Yes
Autodose	-	-	-	-
Alternative wash	Yes	-	-	-
Energy saving	-	Yes	Yes	-
Delayed start	-	-	-	-
Clean Jet System	-	-	-	-
Drying mode	Natural convection	Natural convection	Natural convection	Natural convection
CONFORT				
Access type	Touch-sensitive	Touch-sensitive	Touch-sensitive	Micro switch
Display type	Digits	Digits	Digits	Leds
Delayed start	1 to 24h	1 to 24h	1 to 24h	1 to 12h
Remaining time	Yes	Yes	Yes	-
Viewing of end programme	Spotlight + buzzer	Spotlight + buzzer	Spotlight + buzzer	Spotlight + buzzer
Salt/Rinse end indicator	Yes/Yes	Yes/Yes	Yes/Yes	Yes/Yes
Disconnection of the automatic door opening	Yes	-	-	Yes
Automatic opening of the door	Yes	Yes	Yes	Yes
EQUIPMENTS				
3rd basket	Yes	Yes	-	Yes
Small Sliding upper basket	-	Yes	-	-
Upright adjustable upper basket	Yes	Yes	Yes	Yes
Multiplace cutlery basket	-	Yes	Yes	-
Maximum diameter of the lower basket plates (in mm)	300	300	300	300
Maximum diameter of the upper basket plates (in mm)	250	250	250	250
SAFETY FEATURES				
AquaSafe (Anti-overflow/Anti-leak)	Yes	Yes	Yes	Yes
AquaBlock (Anti-overflow + Anti-leak + Electrical water intake cut off)	Yes	Yes	Yes	-
DIMENSIONS - WEIGHT				
Built-in HxWxD (mm)	820X600X580	820X600X580	820X600X580	820X600X580
Unboxed HxWxD (mm)	815X598X550	815X598X550	815X598X550	815X598X550
Packed product HxWxD (mm)	890X645X645	890X645X645	890X645X645	890X645X645
Net weight (kg)/Gross weight (kg)	36.8/43.8	39.5/46	43.5/50.5	38.8/46
Connection	230V/50Hz/10A	230V/50Hz/10A	230V/50Hz/10A	230V/50Hz/10A
EAN CODE				
Full built-in	3660767995543	3660767984493	3660767978836	3660767993389

FULL BUILT-IN DISHWASHERS

REFERENCES	DKFI44QSB	DVC1434J2	KDLV3326J	DV301044J
Full built-in				
PRODUCT SHEET				
Place setting number	14	14	13	10
Energy efficiency class	D	D	C	C
Annual energy consumption x 100 cycles (kWh)	85	85	74	59
Water consumption (L/cycle)	9	10	9.8	8.5
Duration of the cycle (min)	254	198	220	215
Airborne acoustical noise emission (dB(A))/Class acoustical noise emission	44/B	44/B	44/B	44/B
GENERAL FEATURES				
Number of programmes	8	6	6	8
Number of washing temperatures	6	4	4	4
Auto	-	-	-	-
Masterwash	Yes	-	-	-
Fragile	-	-	-	-
ICS+ 45-55°C	Yes	Yes	Yes	Yes
Boost 60°C	-	-	-	Yes
Intensive	-	Yes	Yes	Yes
Eco 45°C	Yes	Yes	Yes	Yes
Glass 40°C	-	Yes	Yes	Yes
60 min	-	Yes	-	-
58 min	-	-	Yes	-
Daily 90 min	-	-	-	Yes
Rapid 35 min	-	-	-	-
Rapid 30 min	Yes	Yes	Yes	Yes
Super 50 min	Yes	-	-	-
Hygiene +	Yes	-	-	-
Prewash	-	-	-	Yes
Universal	-	-	-	Yes
Steam wash	Yes	-	-	-
Soaking	-	-	-	-
Night Silence	Yes	-	-	-
Tank cleaning	-	-	-	-
Drying +	Yes	-	-	Yes
Wash and Dry 55 min	-	-	-	-
Express	Yes	-	Yes	Yes
Half load	Yes	Yes	-	Yes
Autodose	-	-	-	-
Alternative wash	-	-	-	-
Energy saving	-	-	-	Yes
Delayed start	Yes	-	-	-
Clean Jet System	-	-	-	-
Drying mode	Air vented	Natural convection	Natural convection	Natural convection
CONFORT				
Access type	Micro switch	Micro switch	Micro switch	Touch-sensitive
Display type	Digits	Leds	Leds	Digits
Delayed start	1 to 19h	1 to 12h	1 to 12h	1 to 24h
Remaining time	Yes	No	No	Yes
Viewing of end programme	Spotlight + buzzer	Spotlight + buzzer	Spotlight + buzzer	Spotlight + buzzer
Salt/Rinse end indicator	Yes/Yes	Yes/Yes	Yes/Yes	Yes/Yes
Disconnection of the automatic door opening	-	-	-	-
Automatic opening of the door	-	Yes	Yes	Yes
EQUIPMENTS				
3rd basket	-	Yes	-	-
Small Sliding upper basket	-	-	-	-
Upright adjustable upper basket	Yes	Yes	Yes	Yes
Multiplace cutlery basket	Yes	-	Yes	Yes
Maximum diameter of the lower basket plates (in mm)	300	300	300	300
Maximum diameter of the upper basket plates (in mm)	250	250	250	250
SAFETY FEATURES				
AquaSafe (Anti-overflow/Anti-leak)	Yes	Yes	Yes	Yes
AquaBlock (Anti-overflow + Anti-leak + Electrical water intake cut off)	-	Yes	-	Yes
DIMENSIONS - WEIGHT				
Built-in HxWxD (mm)	820X600X580	820X600X580	820X600X580	820X450X575
Unboxed HxWxD (mm)	820X598X550	815X598X550	815X598X550	815X448X550
Packed product HxWxD (mm)	851X644X661	890X645X645	890X645X645	890X495X645
Net weight (kg)/Gross weight (kg)	38/40	39.5/46	36.8/44	35/38
Connection	230V/50Hz/10A	230V/50Hz/10A	230V/50Hz/10A	230V/50Hz/10A
EAN CODE				
Full built-in	3660767988873	3660767984462	3660767996953	3660767995826

WASHING MACHINES

REFERENCES	Freestanding	Built-in
White	DWF394QWE	DWF484QJE
PRODUCT SHEET		
Dry laundry (kg) / Drying (kg) capacity	9	8
Spin speed rpm/min	1400	1400
Water consumption per cycle on Eco 40-60 program (L/Cycle)	50	48
Weighted consumption x100 cycles (kW/h)	49	47
Programme duration in cotton 60°C full load	228	218
Noise level (db(A))	77	76
Energy efficiency class	A	A
Spin efficiency	C	B
GENERAL FEATURES		
Inox drum volume in litres	59	59
Automatic variable capacity	Yes	Yes
Remaining time display	Yes	Yes
Products dispenser (number of compartments)	3	3
PROGRAMMES		
Electronic type	Digits	Digits
Washing programme number	15	-
Cotton	Yes	Yes
Rapid programmes	Yes	Yes
Hygiene	Yes	Yes
Jeans	Yes	Yes
Eco 40-60 °C	Yes	Yes
Colours	Yes	Yes
Intensive	Yes	Yes
Wool	Yes	Yes
Sport	Yes	Yes
Hand-wash	Yes	Yes
Mixte/Shirt	Yes	Yes
Rinse/Spin	Yes	Yes
Delayed start	Yes	Yes
Steam	Yes	Yes
Rinsing +	Yes	Yes
Prewash	Yes	Yes
Anti-allergy	Yes	Yes
Quick wash	Yes	Yes
Soiling level	-	Yes
Easy iron	-	Yes
Eco wash	Yes	-
Delayed start	1 to 23h	1 to 23h
SAFETY FEATURES		
Anti-overflow/Anti-foam system	Yes/No	Yes/No
DIMENSIONS - WEIGHT		
Built-in HxWxD (mm)	-	-
Unboxed HxWxD (mm)	845X597X582	817X597X544
Packed product HxWxD (mm)	881X641X640	853X654X600
Net weight (kg)/Gross weight (kg)	71/72.5	71/72.5
Connection	220-240V/50Hz/10A	220-240V/50Hz/10A
EAN CODE		
White	3660767990258	3660767994089

DRYER AND WASHER DRYER

REFERENCES	Freestanding Dryer	Built-in Washer Dryer
White	DDF394HWE	DWD485QJE
PRODUCT SHEET		
Dry laundry (kg) / Drying (kg) capacity	9	8
Washing capacity (kg)	-	5
Drying type	Heat pump	-
Spin speed rpm/min	-	1400
Annual energy consumption (kW/year)	194	-
Noise level (dB(A))	65	75
Weighted consumption x 100 cycles (kW/h)	-	47
Energy efficiency class	A+++	A
GENERAL FEATURES		
Inox drum volume in litres	113	58
Remaining time display	Yes	Yes
Automatic variable capacity	-	Yes
Clean filter indicator	Yes	Yes
Full tank indicator	Yes	No
PROGRAMMES		
Electronic type	Digits	Digits
Washing / Drying programme number	15	15
Outdoor	Yes	-
Rapid programmes	Yes	Yes
Eco 40-60 °C	-	Yes
Cotton	-	Yes
Synthetics 20°C	-	Yes
Rinse/Spin	-	Yes
Washing + Drying	-	Yes
Hygiene	Yes	Yes
Jeans	Yes	-
Shirts	Yes	-
30 min	Yes	-
Refresh	Yes	-
Wool	Yes	Yes
Mixed	Yes	Yes
Duvet	Yes	-
Baby clothes	Yes	-
Bed Linen	Yes	Yes
Cupboard-dry-synthetics	Yes	-
Cupboard-dry-cotton	Yes	-
Delicate	Yes	-
Drying timer	Yes	-
Night	Yes	-
Delayed start	Yes	-
Energy efficiency bar	Yes	-
Silence dry	Yes	-
Anti crease	Yes	-
Prewash	-	Yes
Rinsing +	-	Yes
Easy iron	-	Yes
Add laundry	-	Yes
Delayed start	1 to 23h	1 to 23h
SAFETY FEATURES		
Full tub safety	Yes	-
Child safety	Yes	-
Balance control system	-	Yes
DIMENSIONS - WEIGHT		
Built-in HxWxD (mm)	-	830X600X570
Unboxed HxWxD (mm)	845X596X609	817X597X544
Packed product HxWxD (mm)	881X641X638	853X654X600
Net weight (kg)/Gross weight (kg)	47.3/48.8	65/67
Connection	220-240V/50Hz/10A	220-240V/50Hz/10A
EAN CODE		
White	3660767990265	3660767994102

BUILT-IN FRIDGE FREEZERS

REFERENCES
White
PRODUCT SHEET
Category
Energy efficiency class
Energy consumption (kWh/year)
Net volume Fridge/Freezer (litres)
Number of stars
Freezer autonomy (h)
Freezing capacity (kg/24h)
Climatic class
Noise emission (dB(A))
Airborne acoustic noise emission class
GENERAL FEATURES
Total net volume (litres)
Temperature control
Display
Reversible door
Interior light
Energy efficiency class (lighting)
FRIDGE
Cooling type
Automatic defrost
Refrigerator booster
Fresh zone
Super cooling function
Holidays function
Eco function
SMART function
Ultrafresh
Drink
Cool Mode
Easy adapt racks
Maxi Fresh Preserver
Safety glass shelves
Hook holder
Under shelf drawer
Top of the vegetable drawer
Vegetables drawer
Door rack
Bottle rack
Egg tray
Cheese box
Alarm
FREEZER
Cooling type
Automatic defrost
Freezer booster
Super freezing function
Eco function
Drawers
Shelves with flap
Shelves
Twist Ice
Ice cube tray
CONSUMPTIONS - CONNECTION
Gas type
Total power (W)
Electrical connection
INSTALLATION
Sliding system fixing
Door on door fixing system
DIMENSIONS - WEIGHT
Built-in HxWxD (mm)
Unboxed HxWxD (mm)
Packed product HxWxD (mm)
Net weight (kg)/Gross weight (kg)
EAN CODE
White

FRIDGE FREEZER	FRIDGE FREEZER	FRIDGE FREEZER	FRIDGE FREEZER
DRC9455EN	DRC1775EN	DRC1775ED	DRC1771EN
Cabinet height 194cm	Cabinet height 177cm	Cabinet height 177cm	Cabinet height 177cm
Fridge Freezer	Fridge Freezer	Fridge Freezer	Fridge Freezer
E	E	E	E
245	218	218	218
300 (213/87)	242 (179/63)	242 (179/63)	242 (179/63)
4	4	4	4
9	8	8	8
6	3.3	3.3	3.3
SN-T	T	T	T
35	39	41	39
B	C	C	C
300	242	242	242
Electronic	Electronic	Electronic	-
Leds	Digital	Digital	Mechanical
Yes	Yes	Yes	Yes
Leds	Leds	Leds	Leds
No Frost	Fan Assisted	Fan assisted	Fan assisted
Yes	Yes	Yes	Yes
Yes	Yes	Yes	-
Yes	-	-	-
-	-	-	-
Yes	Yes	Yes	-
-	Yes	Yes	-
-	-	-	-
-	-	Yes	Yes
-	Yes	Yes	-
-	Yes	-	Yes
-	Yes	-	-
3	3	3	3
1	1	1	1
3	3	3	3
1	1	1	1
1	1	1	1
-	1	1	1
Yes	Yes	Yes	-
No Frost	No Frost	No Frost	No Frost
Yes	Yes	Yes	Yes
Yes	Yes	Yes	-
-	-	-	-
-	-	-	-
2	2	3	2
-	1	1	1
-	-	-	1
-	-	-	-
1	1	1	1
R600a	R600a	R600a	R600a
-	187	187	187
220-240V/50Hz/1.2A	220-240V/50Hz/0.85A	220-240V/50Hz/0.85A	220-240V/50Hz/0.85A
Yes	Yes	-	Yes
-	-	Yes	-
1945X564X570	1770X560X560	1770X560X560	1770X560X560
1940X540X550	1770X540X545	1770X540X545	1770X540X545
2055X580X610	1834X584X577	1854X584X577	1854X584X577
70/77	49.5/53	49.5/61	49.5/53
3660767995727	3660767981829	3660767994485	3660767995840

BUILT-IN LARDER SINGLE DOORS

REFERENCES	LARDER SINGLE DOOR	LARDER SINGLE DOOR
White	DRL1770EB	DRL1770ED
PRODUCT SHEET	Cabinet height 177cm	Cabinet height 177cm
Category	Larder single door	Larder single door
Energy efficiency class	E	E
Energy consumption (kWh/year)	112	112
Net volume Fridge/Freezer (litres)	294(294/0)	294(294/0)
Number of stars	-	-
Freezer autonomy (h)	-	-
Freezing capacity (kg/24h)	-	-
Climatic class	SN-ST	SN-ST
Noise emission (dB(A))	39	39
Airborne acoustic noise emission class	C	C
GENERAL FEATURES		
Total net volume (litres)	294	294
Temperature control	Electronic	
Display	Digital	
Reversible door	Yes	Yes
Interior light	LED	LED
Energy efficiency class (lighting)	F	F
FRIDGE		
Cooling type	Fan assisted	Fan assisted
Automatic defrost	Yes	Yes
Refrigerator booster	Yes	Yes
Fresh zone	-	-
Super cooling function	-	-
Holidays function	-	-
Eco function	Yes	Yes
SMART function	-	-
Ultrafresh	-	Yes
Drink	-	-
Cool Mode	-	-
Easy adapt racks	-	-
Maxi Fresh Preserver	Yes	-
Safety glass shelves	4	4
Hook holder	1	1
Under shelf drawer	0	2
Top of the vegetable drawer	Yes	Yes
Vegetables drawer	2	2
Door rack	4	4
Bottle rack	1	1
Egg tray	1	1
Cheese box	1	1
Alarm	Audible	Audible
FREEZER		
Cooling type	-	-
Automatic defrost	-	-
Freezer booster	-	-
Super freezing function	-	-
Eco function	-	-
Drawers	-	-
Shelves with flap	-	-
Shelves	-	-
Twist Ice	-	-
Ice cube tray	-	-
CONSUMPTIONS - CONNECTION		
Gas type	R600a	R600a
Total power (W)	98	98
Electrical connection	220-240V/50Hz/0.5A	220-240V/50Hz/0.5A
INSTALLATION		
Sliding system fixing	Yes	-
Door on door fixing system	-	Yes
DIMENSIONS - WEIGHT		
Built-in HxWxD (mm)	1770 x 560 x 560	1770 x 560 x 560
Unboxed HxWxD (mm)	1770 x 540 x 545	1770 x 540 x 545
Packed product HxWxD (mm)	1834 x 584 x 577	1834 x 584 x 577
Net weight (kg)/Gross weight (kg)	49/53	49/53
EAN CODE		
White	3660767981874	3660767994409

BUILT-IN LARDER SINGLE DOORS

REFERENCES	LARDER SINGLE DOOR	LARDER SINGLE DOOR	LARDER SINGLE DOOR	LARDER SINGLE DOOR	LARDER SINGLE DOOR
White	DRL1247ES	DRL1240ED	DRL1220ES	DRL880ES	DRL880ED
PRODUCT SHEET	Cabinet height 122.5cm	Cabinet height 122.5cm	Cabinet height 122cm	Cabinet height 87.5cm	Cabinet height 87.5cm
Category	Larder single door	Larder single door	Larder single door	Larder single door	Larder single door
Energy efficiency class	E	E	E	E	E
Energy consumption (kWh/year)	100	100	100	100	100
Net volume Fridge/Freezer (litres)	193	193	199	126	126
Number of stars	-	-	-	-	-
Freezer autonomy (h)	-	-	-	-	-
Freezing capacity (kg/24h)	-	-	-	-	-
Climatic class	N	N	SN-T	SN	SN
Noise emission (dB(A))	35	35	37	35	35
Airborne acoustic noise emission class	B	B	C	B	B
GENERAL FEATURES					
Total net volume (litres)	193	193	199	126	126
Temperature control	Electronic	Electronic	Electronic	Electronic	Electronic
Display	LED	-	LED	-	-
Reversible door	Yes	Yes	Yes	Yes	Yes
Interior light	LED	LED	LED	LED	LED
Energy efficiency class (lighting)	F	F	G	F	F
FRIDGE					
Cooling type	Static	Static	Static	Static	Static
Automatic defrost	Yes	Yes	Yes	Yes	Yes
Refrigerator booster	Yes	-	-	-	-
Fresh zone	-	-	-	-	-
Super cooling function	-	-	-	-	-
Holidays function	-	-	-	-	-
Eco function	Yes	-	-	-	-
SMART function	-	-	-	-	-
Ultrafresh	-	Yes	-	-	-
Drink	-	-	-	-	-
Cool Mode	-	-	-	-	-
Easy adapt racks	-	-	-	-	-
Maxi Fresh Preserver	-	-	-	-	-
Safety glass shelves	4	4	4	3	3
Hook holder	1	1	-	-	1
Under shelf drawer	-	-	1	-	-
Top of the vegetable drawer	Yes	Yes	Yes	Yes	Yes
Vegetables drawer	1	1	1	1	1
Door rack	3	3	2	2	2
Bottle rack	1	1	1	1	1
Egg tray	1	1	1	1	1
Cheese box	1	1	-	1	1
Alarm	-	-	1	-	-
FREEZER					
Cooling type	-	-	-	-	-
Automatic defrost	-	-	-	-	-
Freezer booster	-	-	-	-	-
Super freezing function	-	-	-	-	-
Eco function	-	-	-	-	-
Drawers	-	-	-	-	-
Shelves with flap	-	-	-	-	-
Shelves	-	-	-	-	-
Twist Ice	-	-	-	-	-
Ice cube tray	-	-	-	-	-
CONSUMPTIONS - CONNECTION					
Gas type	R600a	R600a	R600a	R600a	R600a
Total power (W)	50	60	80	89	89
Electrical connection	220-240V/50Hz/0.7A	220-240V/50Hz/0.26A	220-240V/50Hz/0.6A	220-240V/50Hz/0.54A	220-240V/50Hz/0.54A
INSTALLATION					
Sliding system fixing	Yes	-	Yes	Yes	-
Door on door fixing system	-	Yes	-	-	Yes
DIMENSIONS - WEIGHT					
Built-in HxWxD (mm)	1225 x 560 x 560	1225 x 560 x 560	1220 x 560 x 560	875 x 560 x 560	875 x 560 x 560
Unboxed HxWxD (mm)	1225 x 540 x 545	1225 x 540 x 545	1220 x 540 x 540	875 x 540 x 545	875 x 540 x 545
Packed product HxWxD (mm)	1289 x 584 x 577	1289 x 584 x 577	1292 x 575 x 560	939 x 584 x 577	939 x 584 x 577
Net weight (kg)/Gross weight (kg)	33.5/36	37.5/40	34/38	26/28	28/30
EAN CODE					
White	3660767998568	3660767994461	3660767993129	3660767990821	3660767994386

BUILT-IN SINGLE DOORS

REFERENCES	SINGLE DOOR	SINGLE DOOR	SINGLE DOOR
White	DRS1244ED	DRS1247ES	DRS1224ES
PRODUCT SHEET	Cabinet height 122.5cm	Cabinet height 122.5cm	Cabinet height 122cm
Category	Single door	Single door	Single door
Energy efficiency class	E	E	E
Energy consumption (kWh/year)	149	149	146
Net volume Fridge/Freezer (litres)	178 (162 / 16)	178 (162 / 16)	181 (167 / 14)
Number of stars	4	4	4
Freezer autonomy (h)	8	8	6
Freezing capacity (kg/24h)	2.6	2.6	2
Climatic class	N	N	ST
Noise emission (dB(A))	38	38	39
Airborne acoustic noise emission class	C	C	C
GENERAL FEATURES			
Total net volume (litres)	178	178	146
Temperature control	Electronic	Electronic	Electronic
Display	-	-	LED
Reversible door	Yes	Yes	Yes
Interior light	LED	LED	LED
Energy efficiency class (lighting)	F	F	G
FRIDGE			
Cooling type	Static	Static	Static
Automatic defrost	Yes	Yes	Yes
Refrigerator booster	-	-	-
Fresh zone	-	-	-
Super cooling function	-	-	-
Holidays function	-	-	-
Eco function	-	-	-
SMART function	-	-	-
Ultrafresh	Yes	-	-
Drink	-	-	-
Cool Mode	-	-	-
Easy adapt racks	-	-	-
Maxi Fresh Preserver	-	-	-
Safety glass shelves	3	3	3
Hook holder	1	1	-
Under shelf drawer	1	-	1
Top of the vegetable drawer	Yes	Yes	Yes
Vegetables drawer	1	1	1
Door rack	3	3	2
Bottle rack	1	1	1
Egg tray	1	1	1
Cheese box	1	1	-
Alarm	-	-	Yes
FREEZER			
Cooling type	Static	Static	Static
Automatic defrost	Manual	Manual	Manual
Freezer booster	Yes	Yes	-
Super freezing function	-	-	-
Eco function	-	-	-
Drawers	1	1	1
Shelves with flap	-	-	-
Shelves	-	-	-
Twist Ice	-	-	-
Ice cube tray	1	1	1
CONSUMPTIONS - CONNECTION			
Gas type	R600a	R600a	R600a
Total power (W)	103	105	100
Electrical connection	220-240V/50Hz/0.47A	220-240V/50Hz/0.65A	220-240V/50Hz/0.75A
INSTALLATION			
Sliding system fixing	-	Yes	Yes
Door on door fixing system	Yes	-	-
DIMENSIONS - WEIGHT			
Built-in HxWxD (mm)	1225 x 560 x 560	1225 x 560 x 560	1220 x 560 x 560
Unboxed HxWxD (mm)	1225 x 540 x 545	1225 x 540 x 540	1220 x 540 x 540
Packed product HxWxD (mm)	1289 x 584 x 577	1289 x 584 x 577	1292 x 575 x 560
Net weight (kg)/Gross weight (kg)	37.5/40	35.5/38	37/41
EAN CODE			
White	3660767994447	3660767998544	3660767993143

BUILT-IN UPRIGHT FREEZERS

REFERENCES	UPRIGHT FREEZER	UPRIGHT FREEZER	UPRIGHT FREEZER
White	DFU1781ED	DFU1781EN	DFU884ES
PRODUCT SHEET	Cabinet height 177cm	Cabinet height 177cm	Cabinet height 87.5cm
Category	Upright freezer	Upright freezer	Upright freezer
Energy efficiency class	E	E	E
Energy consumption (kWh/year)	231	231	175
Net volume Fridge/Freezer (litres)	196 (0 / 196)	196 (0 / 196)	94 (0 / 94)
Freezer autonomy (h)	4	4	4
Freezing capacity (kg/24h)	6	6	8
Climatic class	11.5	11.5	6
Noise emission (dB(A))	SN-T	SN-T	SN-T
Airborne acoustic noise emission class	40	40	38
GENERAL FEATURES			
Total net volume (litres)	196	196	94
Temperature control	Electronic	Electronic	Mechanical
Display	LED	LED	-
Reversible door	Yes	Yes	Yes
Interior light	LED	LED	-
Energy efficiency class (lighting)	F	F	-
FRIDGE			
Cooling type	-	-	-
Freezer booster	-	-	-
Refrigerator booster	-	-	-
Fresh zone	-	-	-
Super cooling function	-	-	-
Holidays function	-	-	-
Eco function	-	-	-
SMART function	-	-	-
Ultrafresh	-	-	-
Drink	-	-	-
Cool Mode	-	-	-
Easy adapt racks	-	-	-
Maxi Fresh Preserver	-	-	-
Safety glass shelves	-	-	-
Hook holder	-	-	-
Top of the vegetable drawer	-	-	-
Vegetables drawer	-	-	-
Door rack	-	-	-
Bottle rack	-	-	-
Egg tray	-	-	-
Cheese box	-	-	-
Alarm	-	-	-
FREEZER			
Cooling type	No Frost	No Frost	Static
Automatic defrost	Automatic	Automatic	Manual
Super freezing function	Yes	Yes	-
Eco function	Yes	Yes	-
Drawers	6	6	3
Shelves with flap	2	2	1
Shelves	Audible	Audible	-
Twist Ice	1	1	-
Ice cube tray	-	-	1
CONSUMPTIONS - CONNECTION			
Gas type	R600a	R600a	R600a
Total power (W)	168	168	159
Electrical connection	220-240V/50Hz/1.16A	220-240V/50Hz/1.16A	220-240V/50Hz/0.72A
INSTALLATION			
Sliding system fixing	-	Yes	Yes
Door on door fixing system	Yes	-	-
DIMENSIONS - WEIGHT			
Built-in HxWxD (mm)	1770 x 560 x 560	1770 x 560 x 560	875 x 560 x 560
Unboxed HxWxD (mm)	1770 x 540 x 545	1770 x 540 x 545	875 x 540 x 545
Packed product HxWxD (mm)	1854 x 584 x 577	1854 x 584 x 577	939 x 584 x 577
Net weight (kg)/Gross weight (kg)	58.5/62.5	52.5/56.5	34.5/37
EAN CODE			
White	3660767994492	3660767990807	3660767983625

FREESTANDING FRIDGE FREEZERS

REFERENCES	MULTI DOOR	SIDE BY SIDE	FRIDGE FREEZER	FRIDGE FREEZER	FRIDGE FREEZER
Dark stainless steel	DFM9085EA			DFC6020NA	DFC7092NA
Stainless steel look		DFA9077DX	DFC6020DX		
PRODUCT SHEET	Cabinet height 185cm	Cabinet height 177cm	Cabinet height 201cm	Cabinet height 201cm	Cabinet height 192cm
Category	Multi door	Side by side	Fridge freezer	Fridge freezer	Fridge freezer
Energy efficiency class	E	E	D	D	E
Energy consumption (kWh/year)	335	340	200	200	287
Net volume Fridge/Freezer (litres)	588 (398 / 190)	592 (367 / 225)	366 (266 / 100)	366 (266 / 100)	481 (344 / 137)
Number of stars	4	4	4	4	4
Freezer autonomy (h)	12	10	10	10	14
Freezing capacity (kg/24h)	16.5	15	8	8	8
Climatic class	SN-T	SN-ST	SN-T	SN-T	SN-T
Noise emission (dB(A))	41	39	36	36	41
Airborne acoustic noise emission class	C	C	C	C	C
GENERAL FEATURES	Electronic	Electronic	Electronic	Electronic	-
Temperature control	Digital	Digital	Digital	Digital	Digital
Display	Yes	No	No	No	No
Reversible door	LED	LED	LED	LED	LED
Interior light					
Energy efficiency class (lighting)					
FRIDGE					
Total net volume (litres)	398	367	266	266	344
Cooling type	No Frost	Fast No Frost	No Frost	No Frost	No Frost
Automatic defrost	Yes	Yes	Yes	Yes	Yes
Refrigerator booster	Yes	-	Yes	Yes	Yes
Super cooling function	-	-	-	-	-
Holidays function	Yes	Yes	Yes	Yes	Yes
Eco function	Yes	Yes	Yes	Yes	Yes
SMART function	-	-	-	-	-
Fresh Drink function	Yes	-	Yes	Yes	Yes
Cool Mode	-	-	-	-	-
Fresh zone	Yes	Yes	Yes	Yes	Yes
Ultrafresh	Yes	-	Yes	Yes	-
Purebeam+	-	-	Yes	Yes	Yes
PurifAir	Yes	-	-	-	-
Easy adapt racks	-	-	-	-	-
Maxi Fresh Preserver	-	-	-	-	Yes
Safety glass shelves	2	2	3	3	3
Hook holder	-	1	1	1	1
Under shelf drawer (tiroir sous clayette)	-	-	-	-	-
Top of the vegetable drawer	1	1	1	1	1
Vegetables drawer	2	2	1	1	1
Door rack	4	3	3	3	3
Door rack cover	2	-	-	-	-
Bottle rack	2	1	1	1	1
Egg tray	1	1	1	1	1
Water dispenser	-	1	-	-	-
Cheese box	1	-	1	1	1
Sound door alarm	Visual and audible	Audible	Visual and audible	Visual and audible	Visual and audible
FREEZER	190	225	100	100	137
Total net volume (litres)	No Frost	Fast No Frost	No Frost	No Frost	No Frost
Cooling type	Yes	Yes	Yes	Yes	Yes
Automatic defrost	Yes	Yes	Yes	Yes	Yes
Freezer booster	-	-	-	-	-
Super freezing function	4	3	2	2	2
Drawers	-	-	-	-	1
Shelves with flap	2	2	2	2	2
Shelves	-	4	-	-	-
Freezer racks	-	-	-	-	-
Twist Ice	Yes	Yes	Yes	Yes	Yes
CONSUMPTIONS - CONNECTION	R600a	R600a	R600a	R600a	R600a
Gas type	197	150	180	180	206
Total power (W)	220-240V/50Hz/1.39A	220-240V/50Hz/1.5A	220-240V/50Hz/1.1A	220-240V/50Hz/1.1A	220-240V/50Hz/1.27A
Electrical connection					
INSTALLATION	Right-hand side	-	Right-hand side	Right-hand side	Right-hand side
Hinges					
DIMENSIONS - WEIGHT	-	-	-	-	-
Built-in HxWxD (mm)	1850 x 910 x 775	1770 x 900 x 730	2010 x 595 x 650	2010 x 595 x 650	1920 x 700 x 712
Unboxed HxWxD (mm)	1950 x 1025 x 858	1862 x 972 x 770	2066 x 664 x 713	2066 x 664 x 713	1997 x 768 x 785
Packed product HxWxD (mm)	134/143	90/100	72/77	72/77	84.5/90
Net weight (kg)/Gross weight (kg)					
EAN CODE	3660767998223		3660767984790	3660767984769	
Dark stainless steel		3660767991866	3660767993839		
Stainless steel look					

BUILT-IN WINE CELLAR

REFERENCES
Infinite black
PRODUCT SHEET
Category
Energy efficiency class
Energy consumption (kWh/year)
Storage capacity (bottles)
Capacity of the cavity (litres)
Zone number
Climatic class
Noise emission (dB(A))
Airborne acoustic noise emission class
GENERAL FEATURES
Temperature control
Display
Controls
Temperature range
Door opening system
Reversible door
Door with anti-UV filter
Anti-vibration system
Interior lighting
Energy efficiency class (lighting)
Adjustable feet
WINE CELLAR
Type of cooling
Number of shelves
Type of shelves
Hygrometer
Carbon filter
CONSUMPTIONS - CONNECTION
Gas type
Total power (W)
Electrical connection
Power cord with plug
DIMENSIONS - WEIGHT
Built-in HxWxD (mm)
Unboxed HxWxD (mm)
Packed product HxWxD (mm)
Net weight (kg)/Gross weight (kg)
EAN CODE
Infinite black

WINE AGING CELLAR	WINE AGING CELLAR	WINE SERVICE CELLAR	WINE SERVICE CELLAR
DUW20FB	DUW46DFB	DIW36DFB	DIW28FB
Under counter 30cm	Under counter 60cm	Cabinet height 60cm	Cabinet height 45cm
Under counter wine cellar	Under counter wine cellar	Built-in wine cellar	Built-in wine cellar
F	F	F	F
98	105	102	99
20	46 (14/32)	36 (24/12)	28
56	129	85	62
1	2	2	1
SN-ST	SN-ST	SN-ST	SN-ST
38	39	38	39
C	C	C	C
GENERAL FEATURES	Electronic	Electronic	Electronic
Temperature control	Digital	Digital	Digital
Display	Touch	Touch	Touch
Controls	5 to 20°C	5 to 22°C	5 to 22°C
Temperature range	External handle	Push to open	Push to open
Door opening system	No	No	No
Reversible door	Yes	Yes	Yes
Door with anti-UV filter	Yes	Yes	Yes
Anti-vibration system	LED	LED	LED
Interior lighting	-	-	-
Energy efficiency class (lighting)	Yes / 4	Yes / 4	-
Adjustable feet	WINE CELLAR	Ventilated	Ventilated
Type of cooling	5	5	2
Number of shelves	Wood / honeycombed	Wood / honeycombed	Wood / honeycombed
Type of shelves	Yes	Yes	No
Hygrometer	No	Yes	No
Carbon filter	CONSUMPTIONS - CONNECTION	R600a	R600a
Gas type	65	180	65
Total power (W)	220-240V/50Hz/0.8A	220-240V/50Hz/0.8A	220-240V/50Hz/0.8A
Electrical connection	Yes	Yes	Yes
Power cord with plug	DIMENSIONS - WEIGHT	825 x 300 x 575	825 x 600 x 575
Built-in HxWxD (mm)	820 x 295 x 570	820 x 595 x 570	590 x 560 x 550
Unboxed HxWxD (mm)	895 x 390 x 625	890 x 696 x 625	696 x 650 x 655
Packed product HxWxD (mm)	271 / 30.7	44.6 / 48.8	33.2 / 36.8
Net weight (kg)/Gross weight (kg)	EAN CODE	3660767997424	3660767991286
Gas type	3660767994010	3660767989955	
Total power (W)			
Electrical connection			
Power cord with plug			
DIMENSIONS - WEIGHT			
Built-in HxWxD (mm)			
Unboxed HxWxD (mm)			
Packed product HxWxD (mm)			
Net weight (kg)/Gross weight (kg)			
EAN CODE			
Dark stainless steel			
Stainless steel look			

De Dietrich

89 boulevard Franklin Roosevelt
92584 Rueil-Malmaison Cedex
www.dedietrich-electromenager.fr

THE DE DIETRICH BRAND BELONGS TO THE GROUPE BRANDT

Brandt France. SAS au capital de 35 082 000 €
RCS Nanterre 801 250 531
Edition 2024 / 2025

For all information, go to the website
www.dedietrich.com



CONCEPTION :

LOLLIPOP

LOLLIPOP / LMDC
140 rue Victor Hugo
92300 LEVALLOIS-PERRET

www.lollipop-communication.com

Contractual photos. Please note that our products are constantly evolving, and we reserve the right to make any modifications to their characteristics as we deem necessary. The total or partial reproduction of these photos is strictly prohibited.

In this catalogue, you will find the complete international range of the Philharmonie Collection. To learn about the products available locally, we recommend consulting our importers in your respective country.